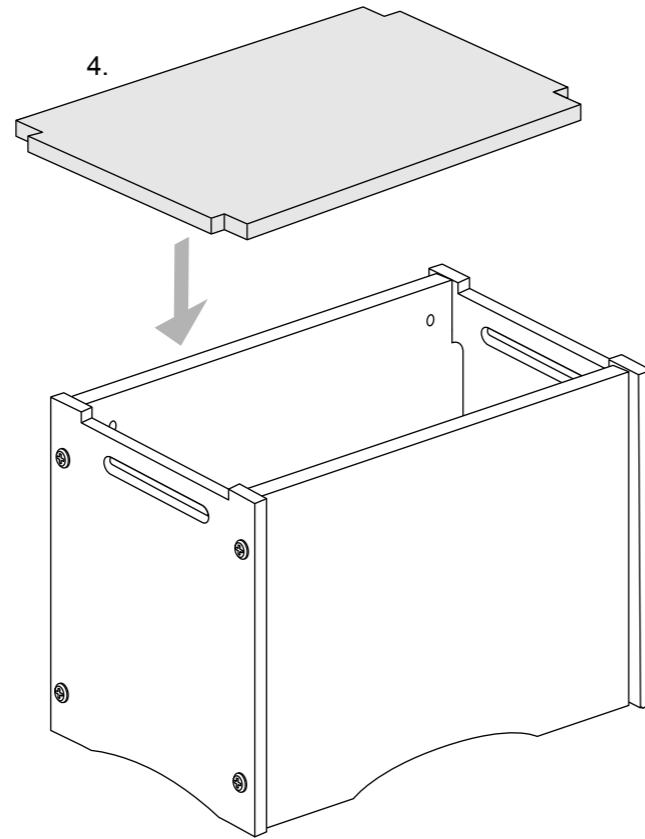


Assembly Instructions

Step 4

a: Place lid (4) onto toy box.

a:



Toy Box

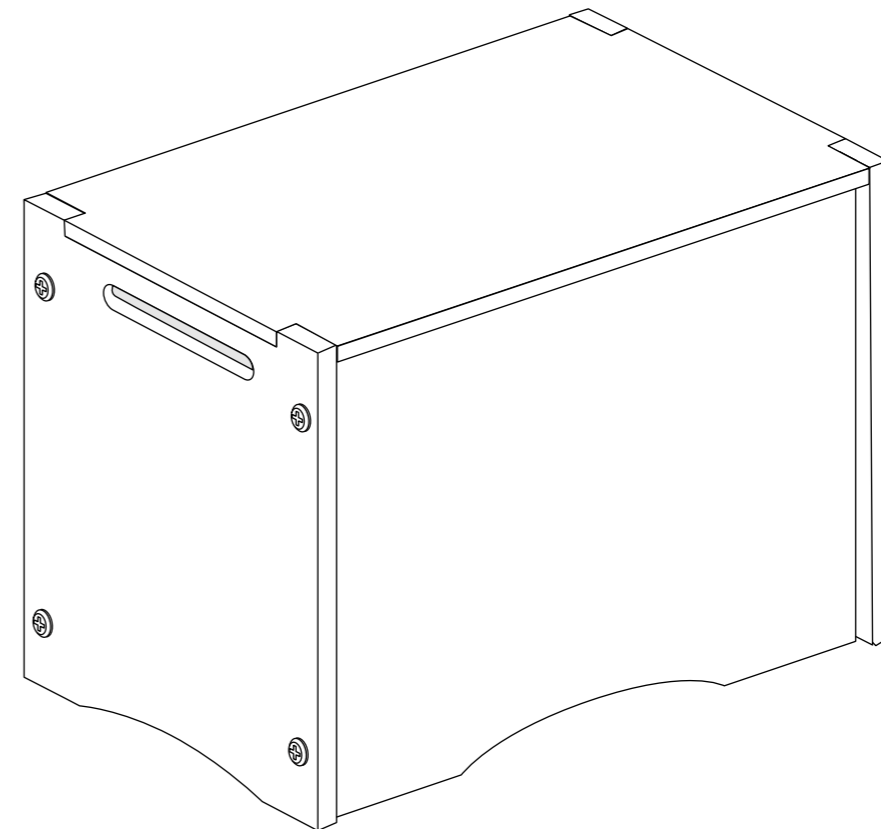
Assembly Instructions - Please keep for future reference



The Innovation Factory
St. Columb Major
Business Park,
Cornwall
TR9 6SX
United Kingdom

CUSTOMER CARE
FREEPHONE: 0800 389 8591 (UK only)
www.worldsapart.com
customercare@worldsapart.com

© 2011 Worlds Apart Limited, All Rights Reserved.
Design Right Worlds Apart Limited



Dimensions

Width - 60cm
Depth - 39.5cm
Height - 39.5cm



Important - Please read these instructions fully before starting assembly

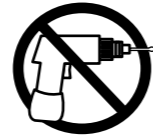
If you need help or have damaged or missing parts, call the **Customer Helpline: 0800 389 8591**

! Safety and Care Advice

Important - Please read these instructions fully before starting assembly

- This package contains small parts. Keep away from children until fully assembled.

- Do not attempt to move toy box when full.



- We do not recommend the use of power drill/drivers **for inserting screws**, as this could damage the unit. Only use hand screwdrivers.

- During assembly, children should be kept away from the product, due to possible risk of injury.

- Do not place this article near an open fire or other sources of strong heat.

- Dispose of all packaging carefully and responsibly.

- Warning! Not suitable for children under 3 years due to small parts - choking hazard.

- Do not allow your child to sit or climb on the toy box.

- Maximum load 20kg.

- Do not use this item if any components are missing or damaged. Do not substitute parts. Use only additional or replacement parts supplied by Worlds Apart Ltd.

- Do not overtighten fixings, due to possible risk of damaging your product.

- Adult assembly required.

- Made in China.

Care and maintenance

- Wipe clean using warm water.

- Periodically inspect for damaged hardware, loose joints, missing parts or sharp edges.

- Regularly check all fastenings to ensure that they are properly tightened

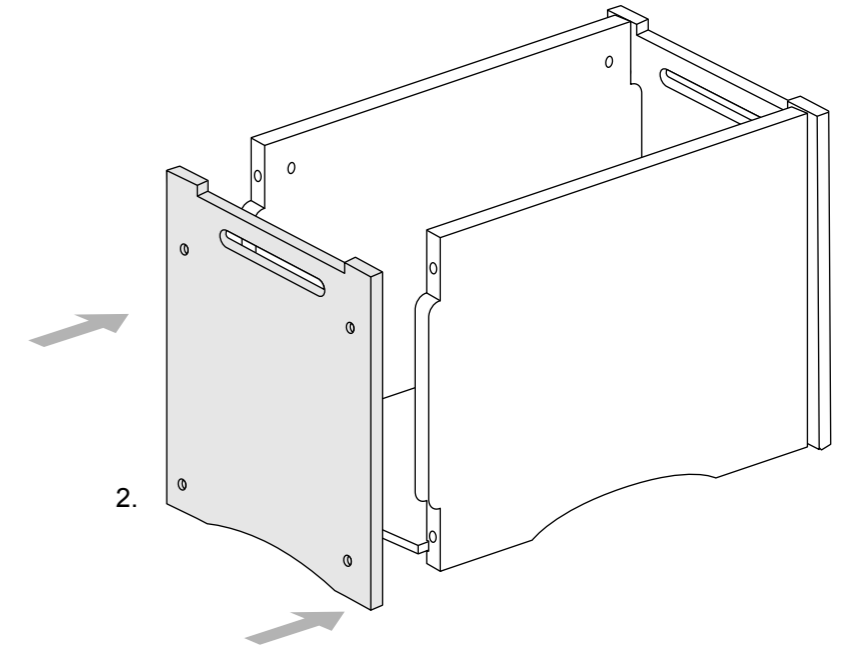
IMPORTANT! KEEP FOR FUTURE REFERENCE

Assembly Instructions

Step 3

a: Slot panel (2) x 1 onto side panels (1).

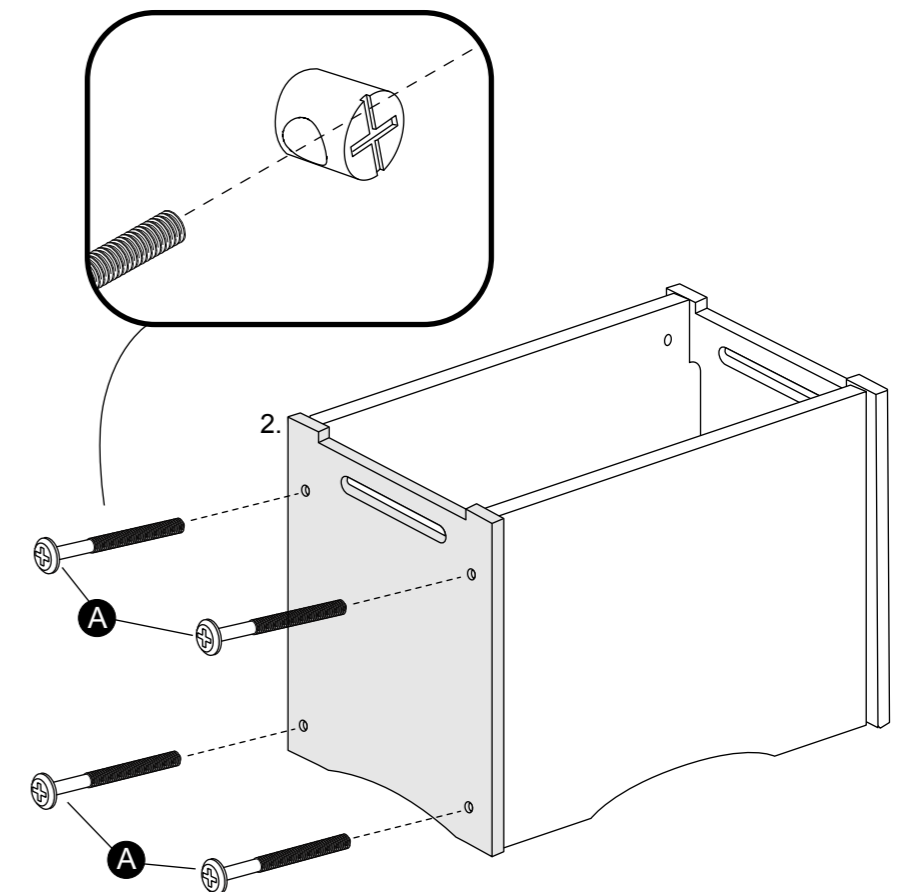
a:



b: Screw panel (2) x 1 onto side panels (1) using bolt (A) x 4.

b:

Please note:
• At this stage carefully fully tighten all bolts.

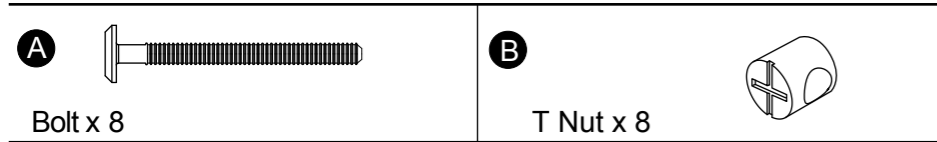


Components - Fittings

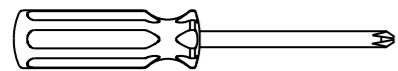
If you have damaged or missing components, call the **Customer Helpline: 0800 389 8591**

Please check you have all the fittings listed below

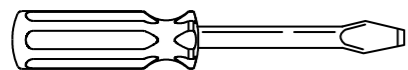
Note: The quantities below are the correct amount to complete the assembly. In some case more fittings may be supplied than are required.



Tools required



Phillips screwdriver (medium & large)



Flatblade screwdriver (medium)

Ruler - Use this ruler to help correctly identify the fixings

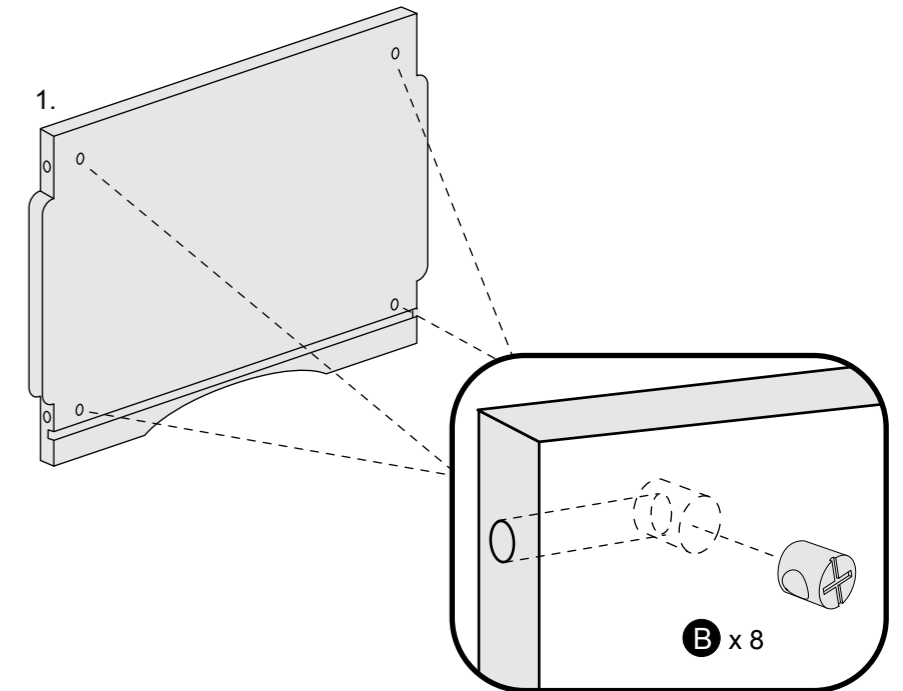


Assembly Instructions

Step 1

a: Push T Nuts (B) x 4 into panel (1) x 2.

a:

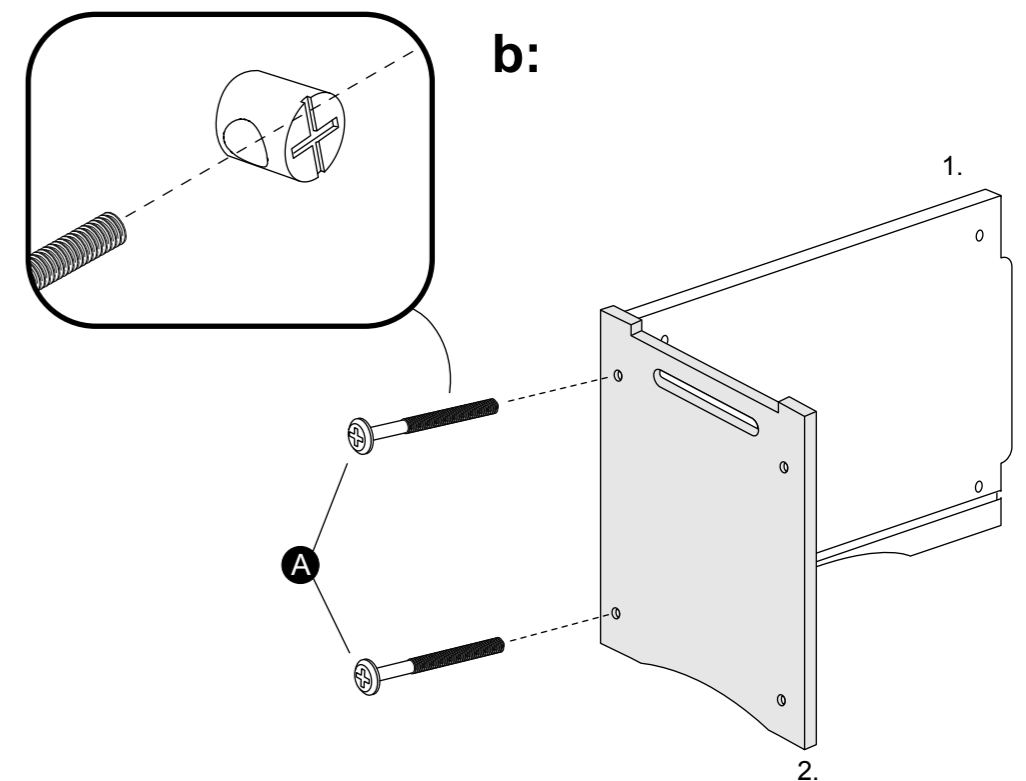


b: Screw panel (2) x 1 onto panel (1) using bolt (A) x 2.

Please note:

- For a better assembly, loosely tighten the bolts until the product is fully assembled then tighten bolts fully.

b:



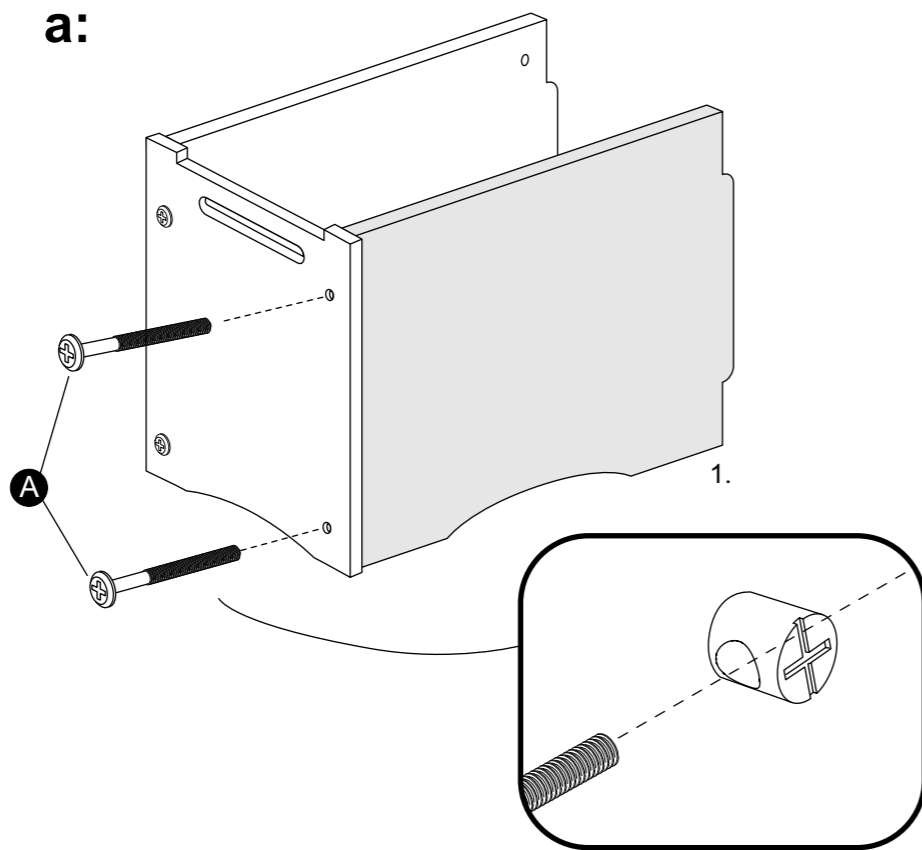
Assembly Instructions

Step 2

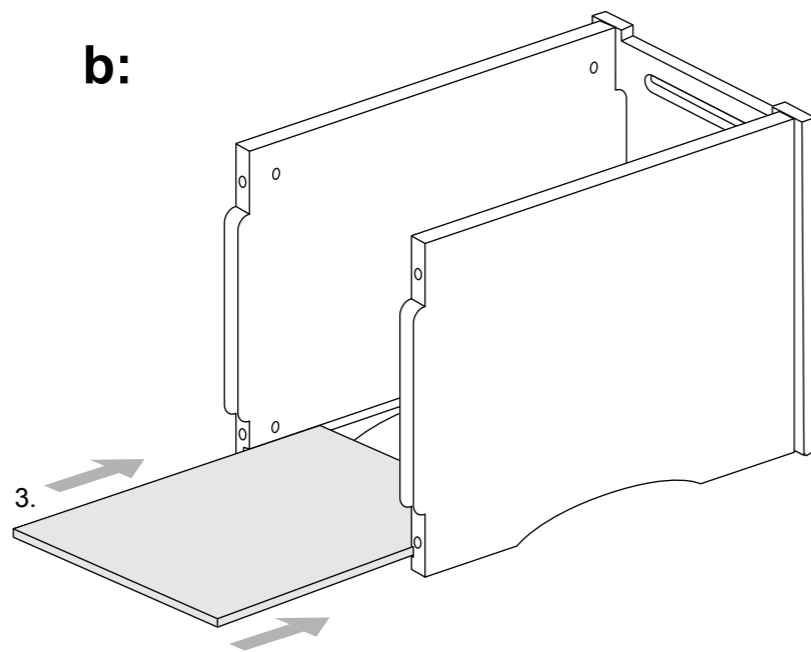
a: Screw side panel (1) x 1 onto end panel (2) using bolt (A) x 2.

Please note:

- For a better assembly, loosely tighten the bolts until the product is fully assembled then tighten bolts fully.

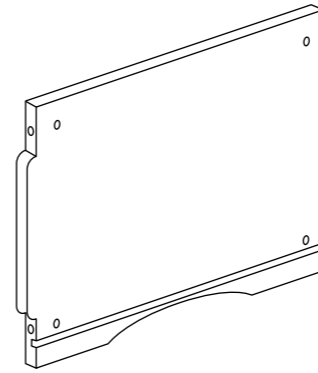


b: Slide base panel (3) into side panels (1).

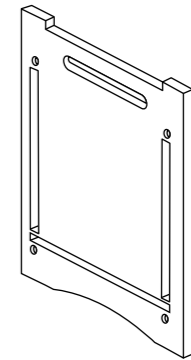


Components - Panels

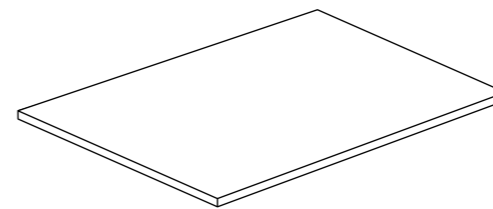
Please check you have all the panels listed below



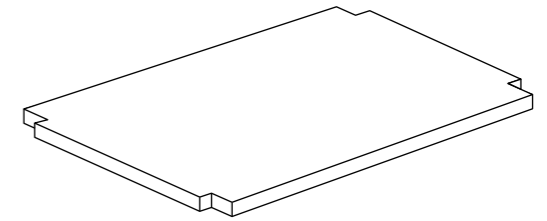
1 Sides x 2



2 Ends x 2



3 Base x 1



4 Lid x 1