

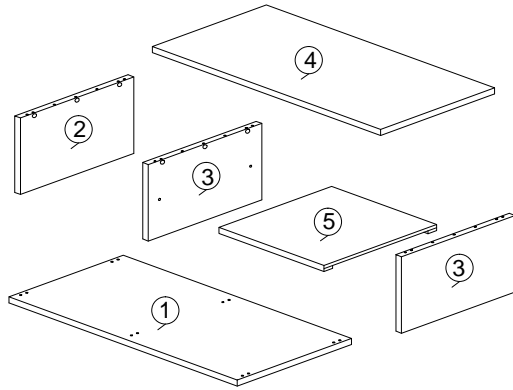
ASSEMBLY INSTRUCTION

MODEL : CT 15019-S5V - EDDY SALONTAFEL / TABLE BASSE / SOFA TABLE

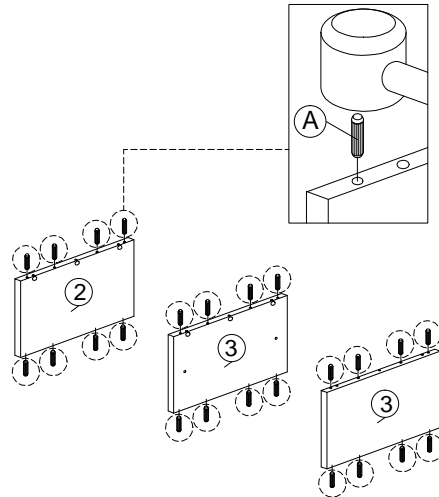
HARDWARE

A PLASTIC DOWEL M8X25 1X24	B CB SCREW M4X20 1X6	C CSK CAP M6X60 1X6	D MINIFIX 5654 9 SETS	E CAP 1X9	F METAL SHELF SUPPORT 1X4	G C163 PLASTIC ROUND LEG 1X6	H ALLEN KEY 1X1
---	---------------------------------------	--------------------------------------	--	----------------------------	--	---	----------------------------------

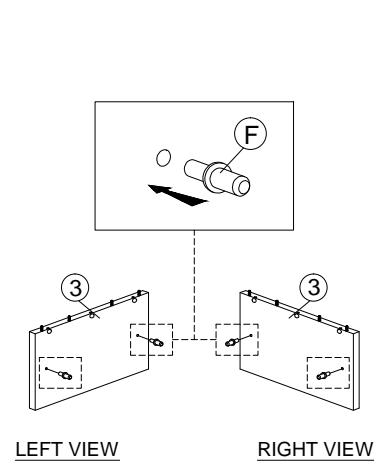
Part List



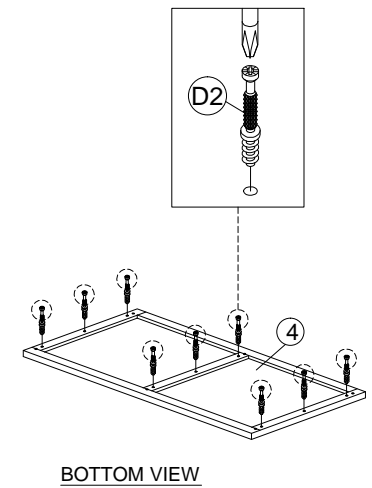
STEP 1 - Dowel fitting



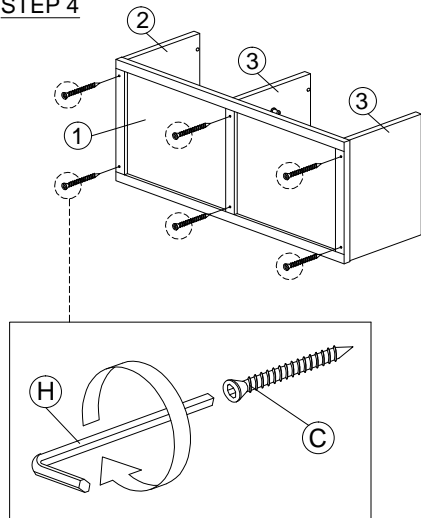
STEP 2



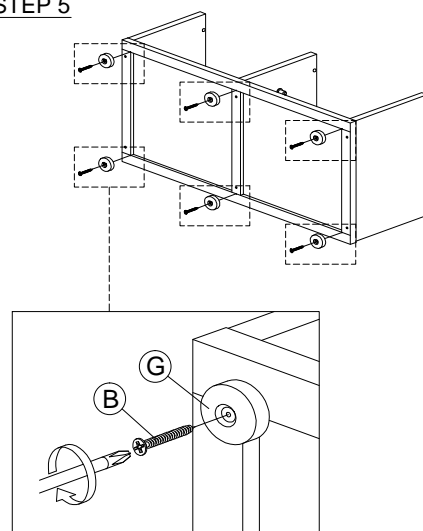
STEP 3



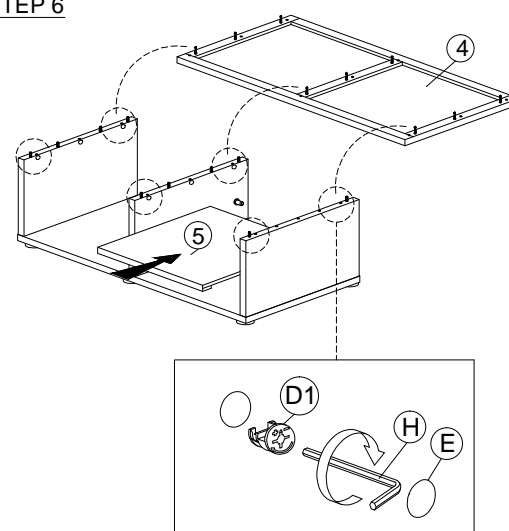
STEP 4



STEP 5



STEP 6



COMPLETED

