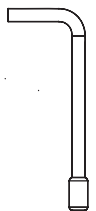
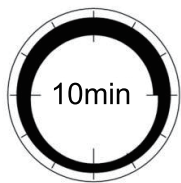
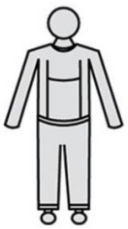
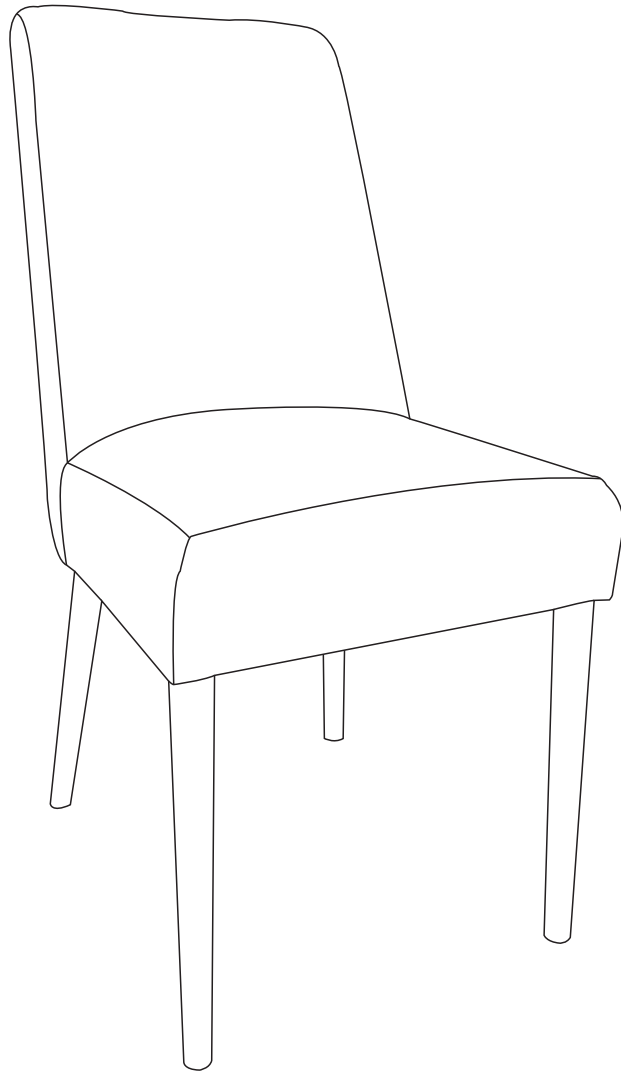
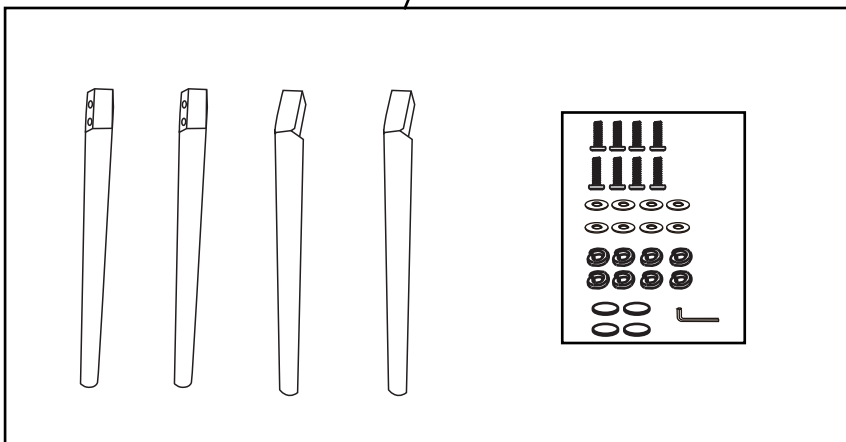
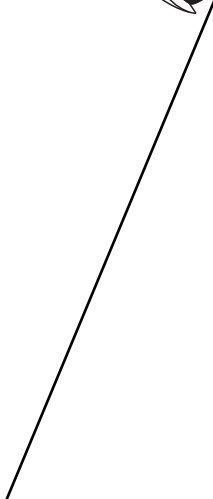
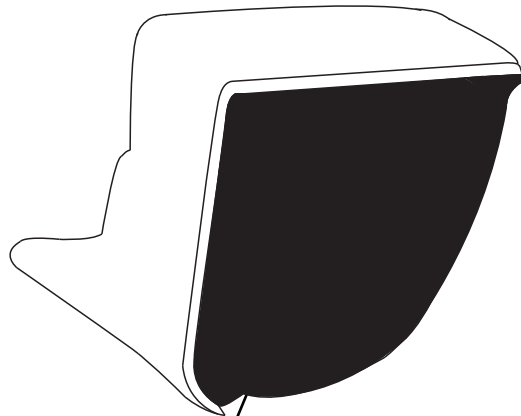
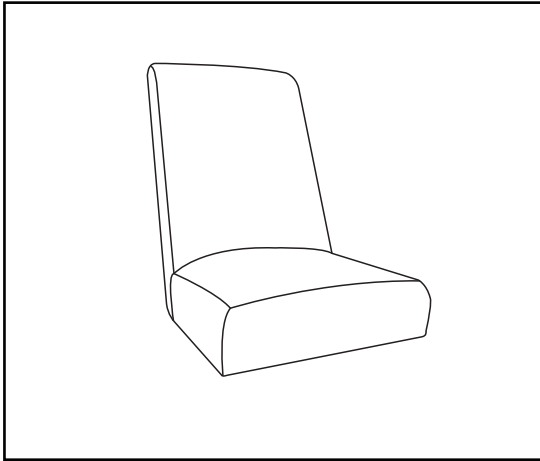


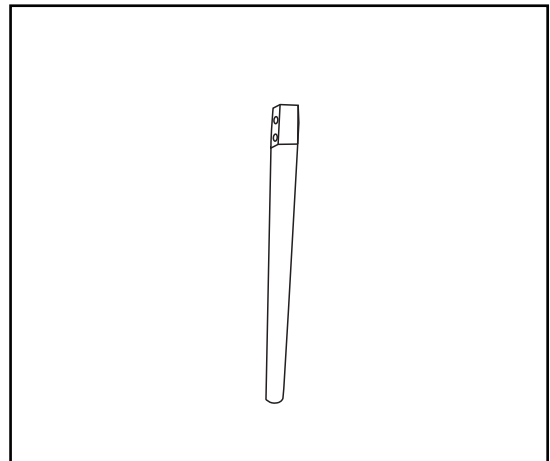
Misty



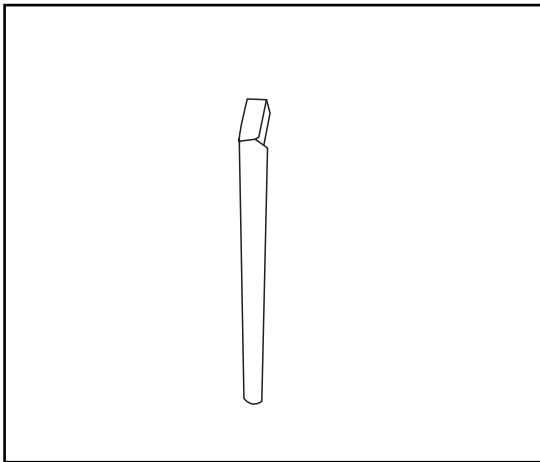




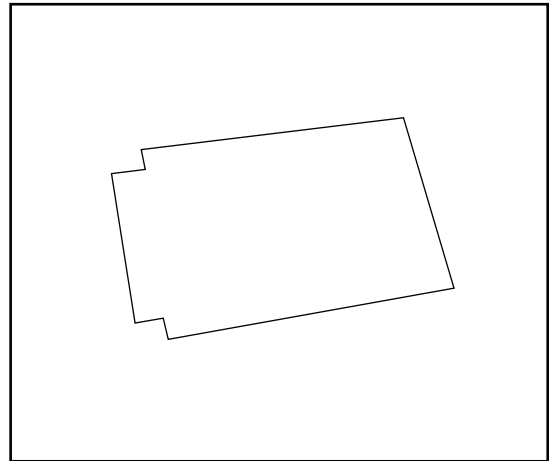
① X1



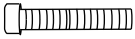
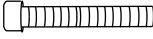




② X2



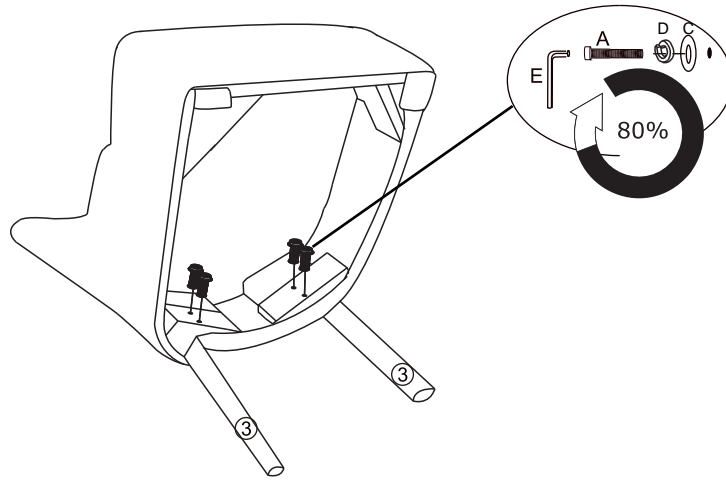
③ X2







④

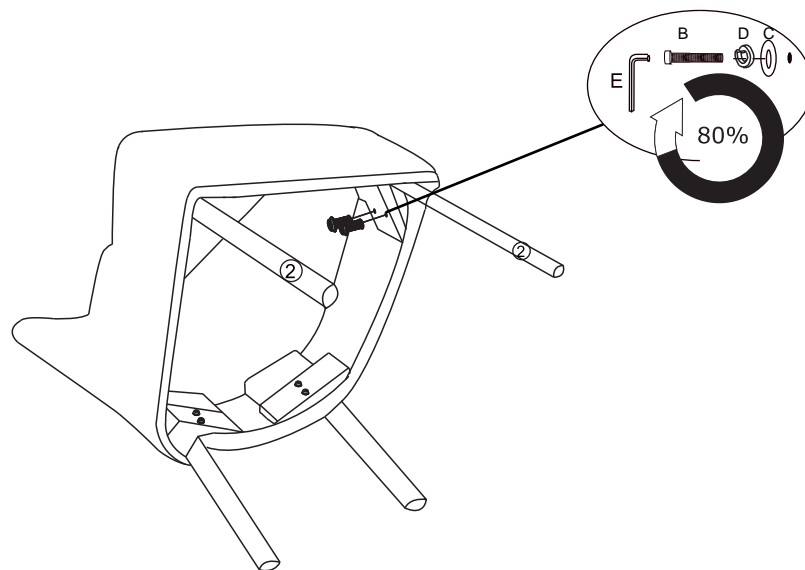
 M8*45mm Ax4	 M8*55mm Bx4	 Φ 22mm Cx8	 Φ 12mm Dx8
 M8 Ex1	 Φ 20*5mm Fx4		




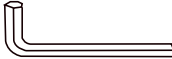
1



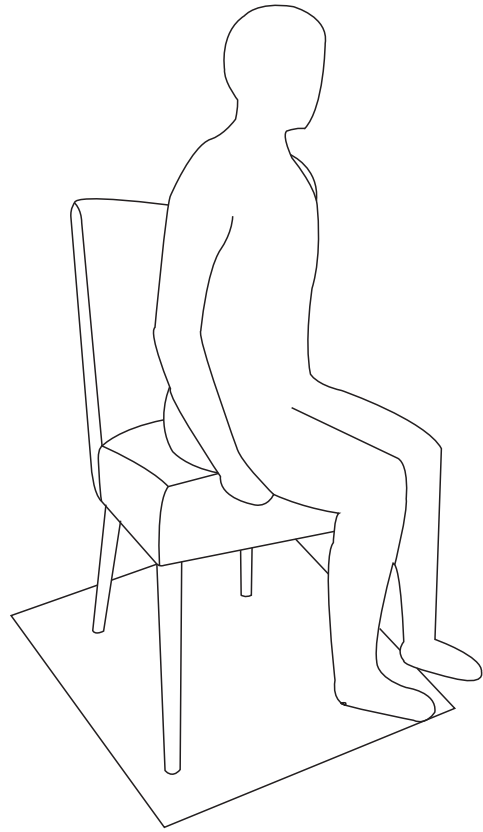
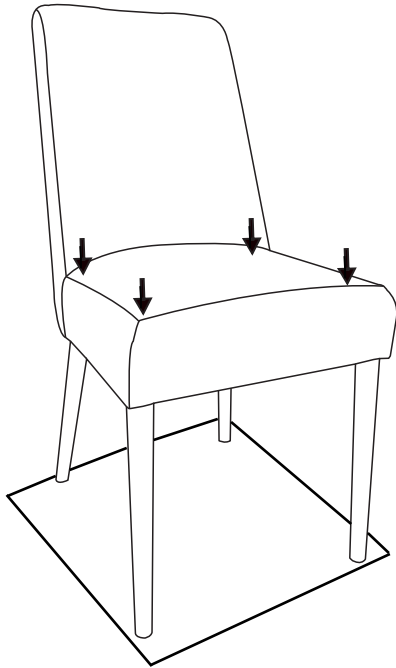
			
A x 4	C x 4	D x 4	E x 1

2

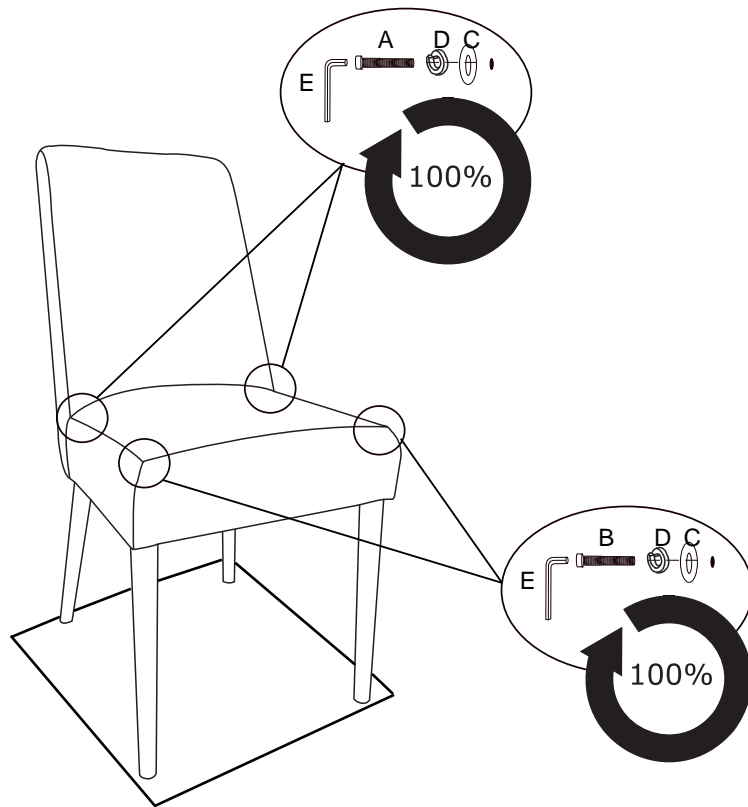


			
B x 4	C x 4	D x 4	E x 1

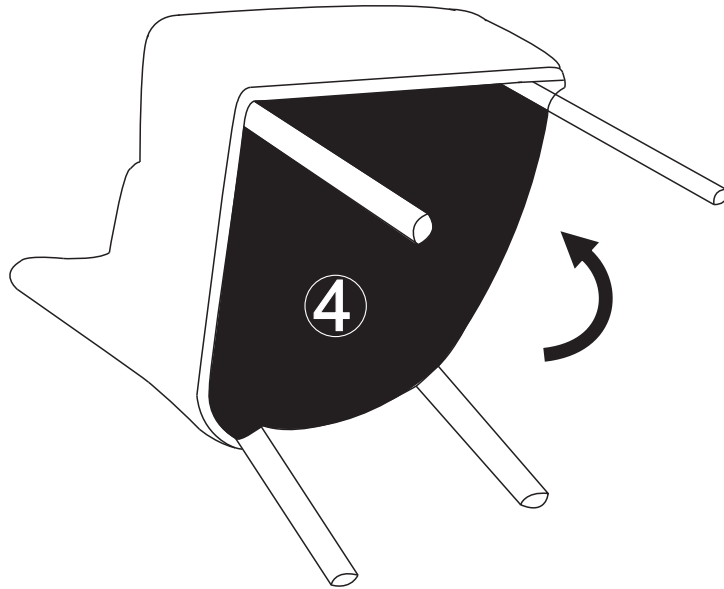
3



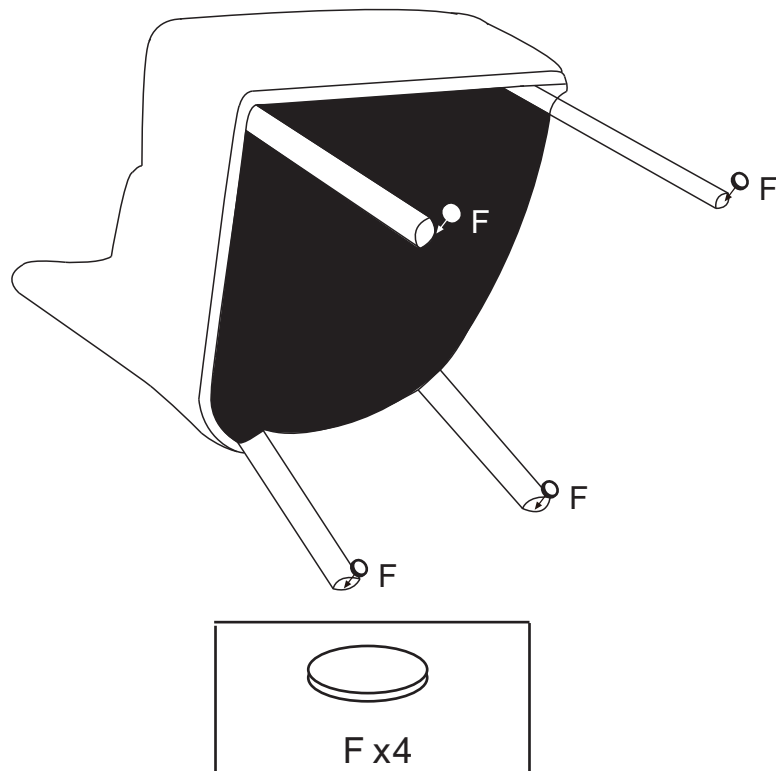
4



5



6



7

