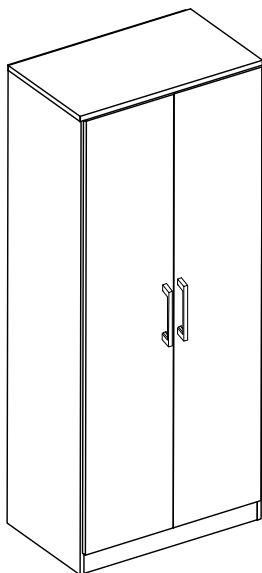


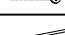

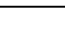


Assembly Instruction

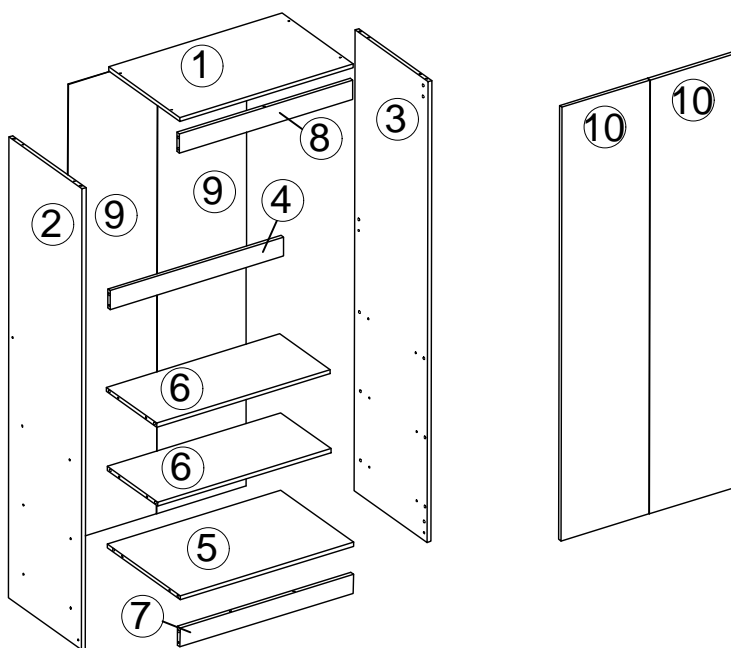
Model : TR - WR2D - 52D SIVAS



Hardware List			
No.	SHAPE	DESCRIPTION	Qty.
A		8x25mm Dowel	26Pcs
B		M3.5x16mm Screw	50Pcs
C		M4x45mm Screw	20Pcs
D		Hinges	6Pcs
E		Leg L	5Pcs
F		Nail	40Pcs
G		V Bracket	2Pcs
H		Handle (128mm)	2Pcs
I		M4x28mm Screw	4Pcs
J		Aluminium Pipe (760mm)	1Pcs
K		Sticker	20Pcs

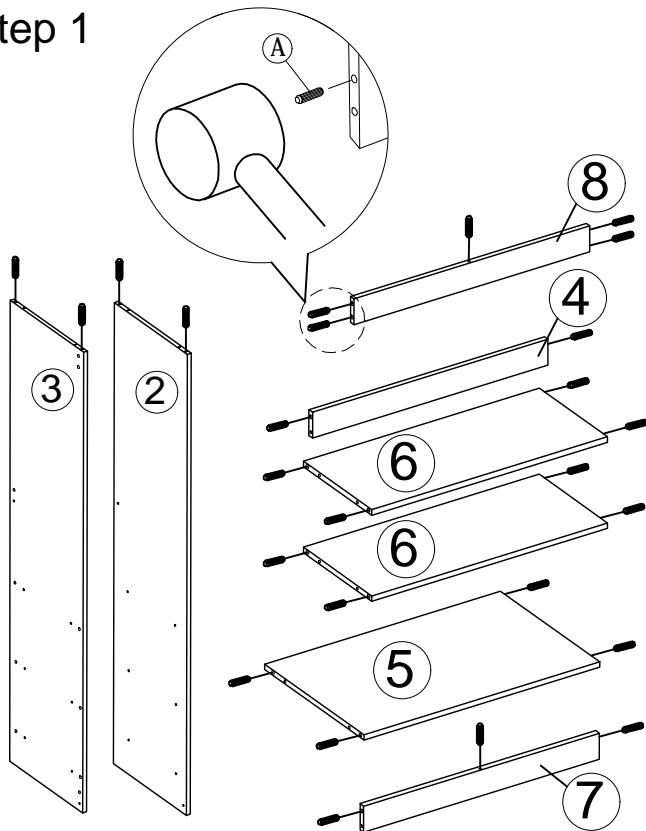
POLDIMAR B.V.B.A
Ooigemstraat 23 - 8780 oostrozebeke Belgium

Part List

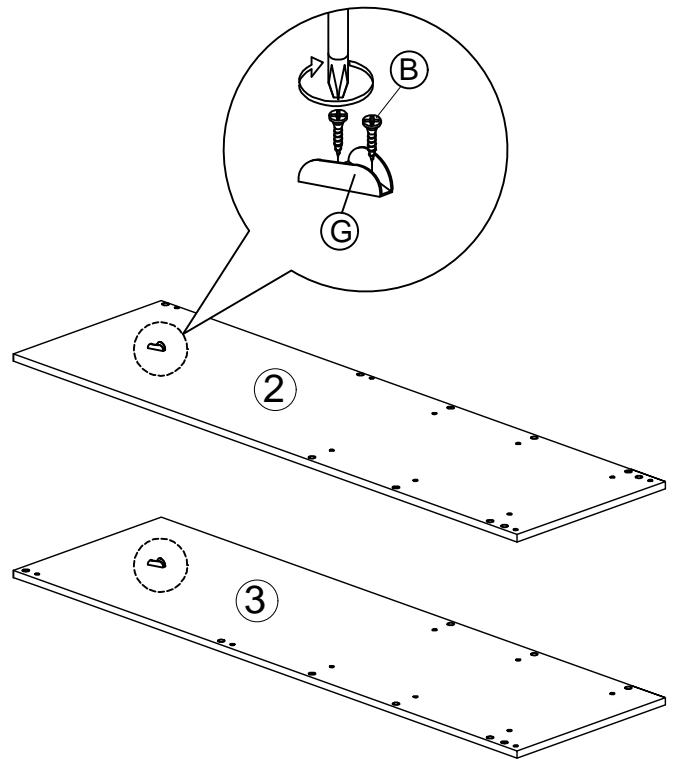


Assembly Instruction

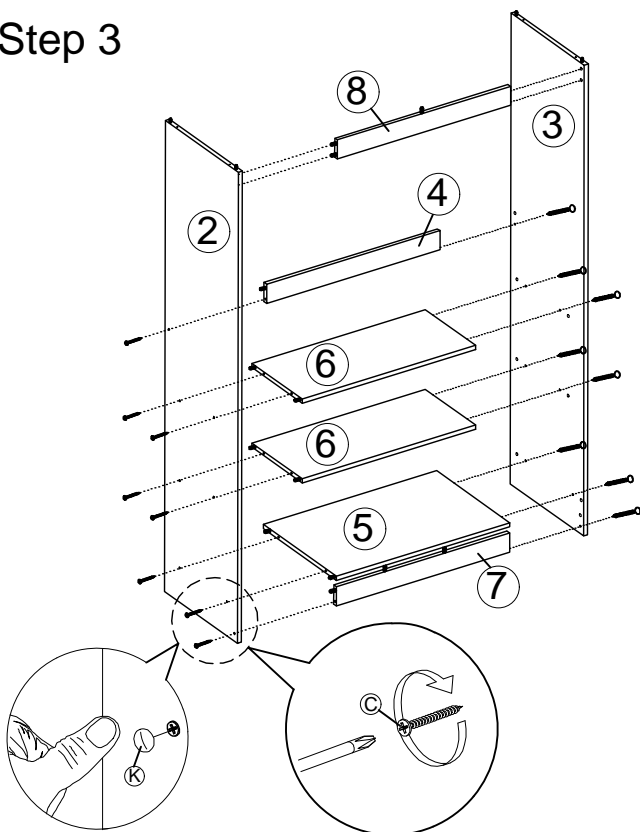
Step 1



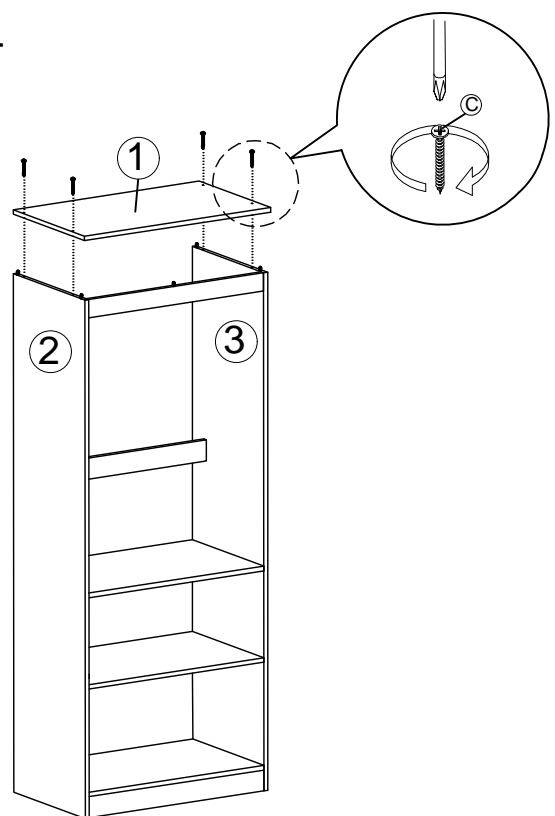
Step 2



Step 3

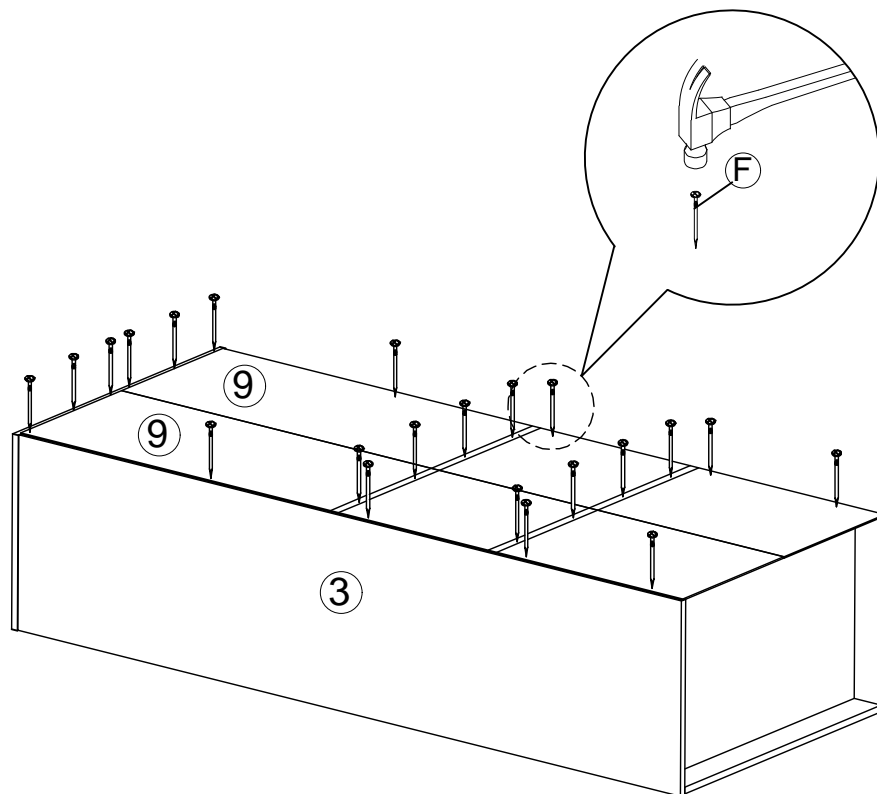


Step 4

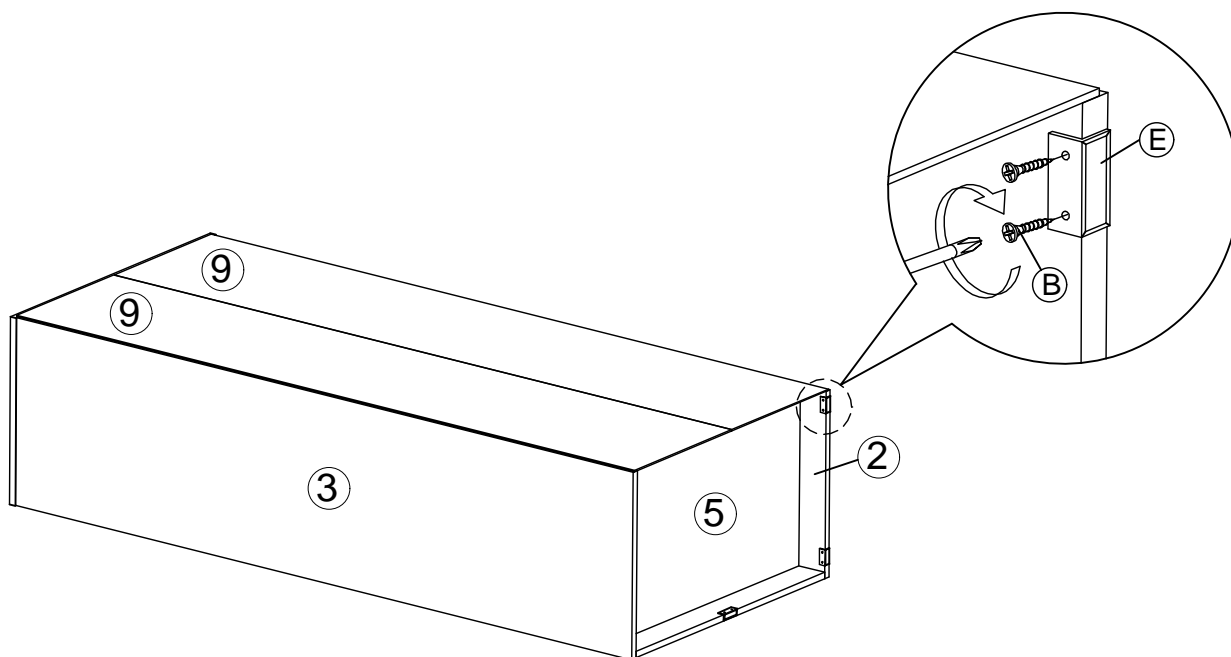


Assembly Instruction

Step 5

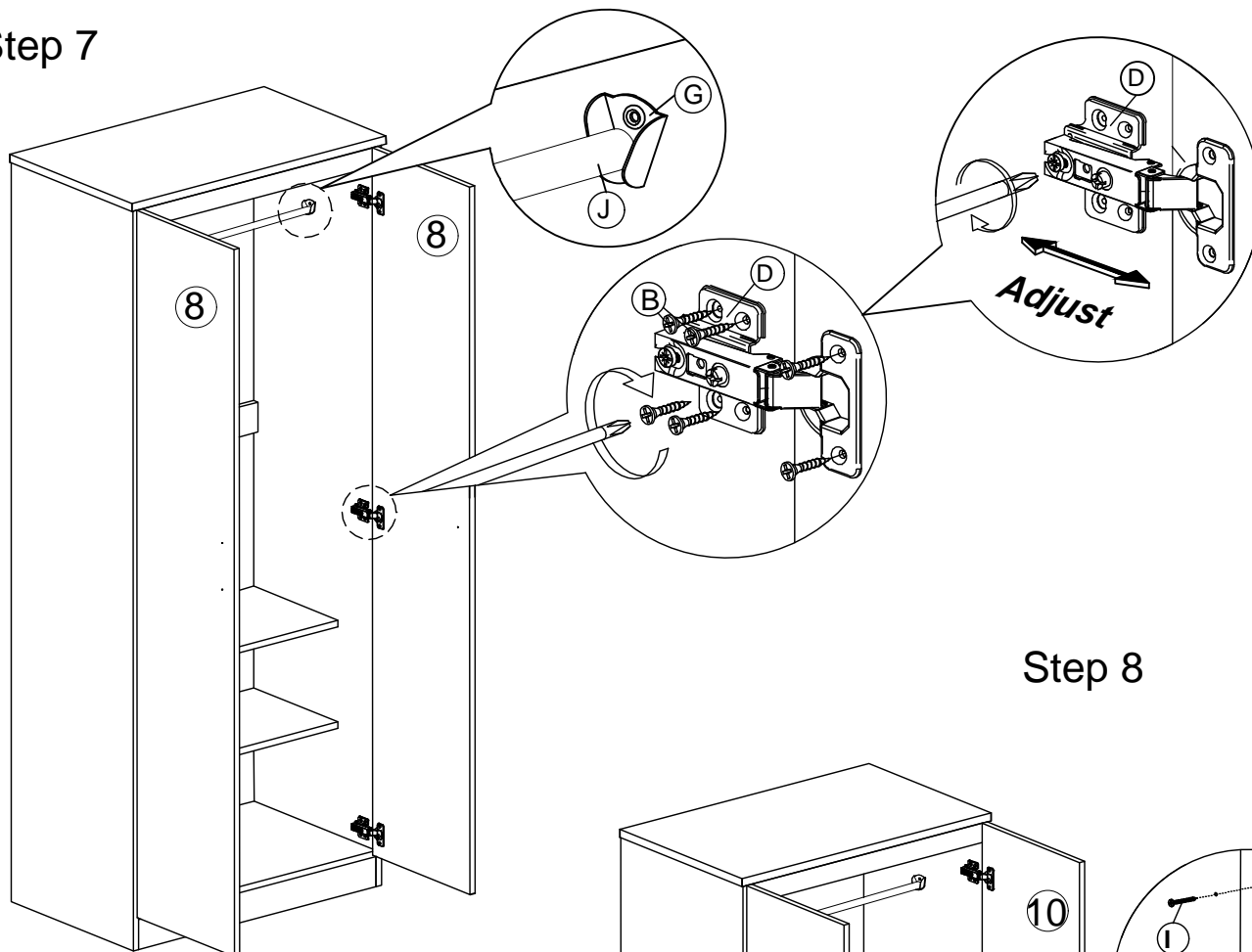


Step 6



Assembly Instruction

Step 7



Step 8

