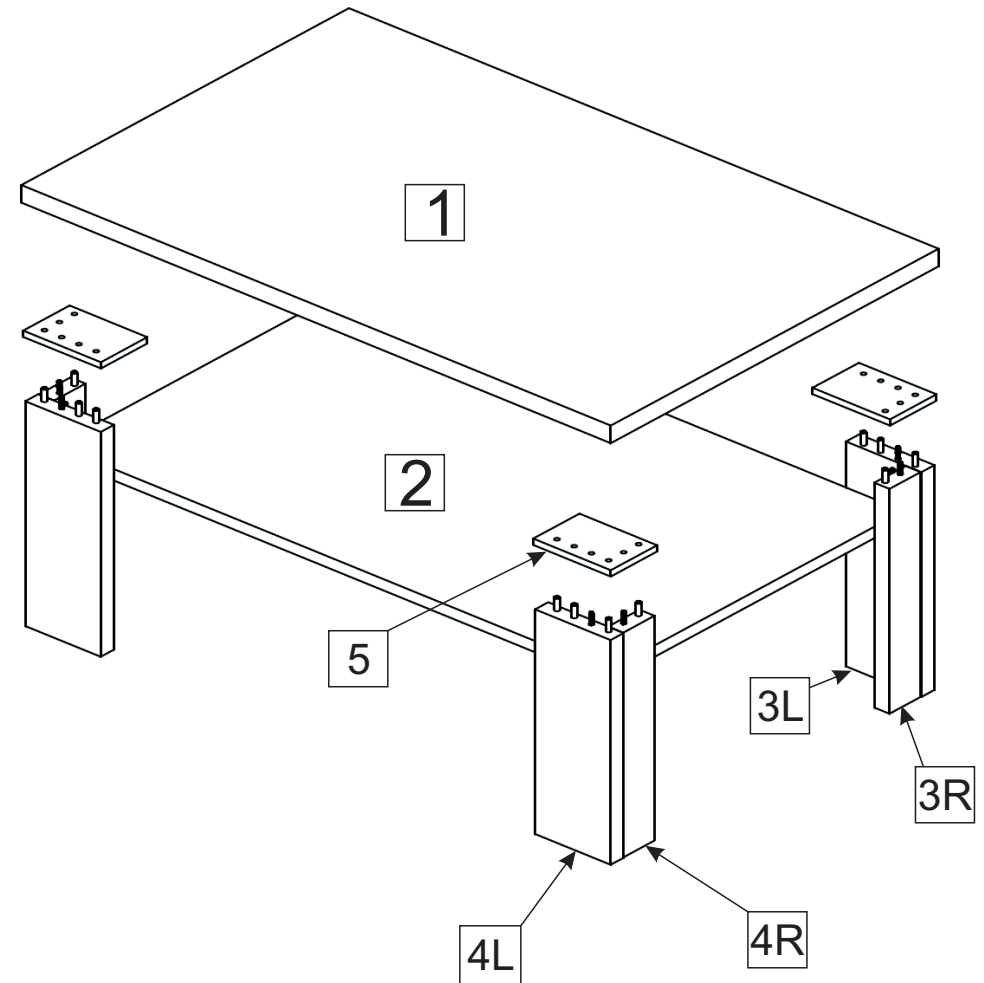


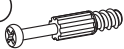




| Nr | Ausmaß | | | St |
|----|--------|-----|----|----|
| 1 | 1095 | 700 | 28 | 1 |
| 2 | 1025 | 632 | 18 | 1 |
| 3L | 357 | 140 | 28 | 2 |
| 3R | 357 | 67 | 28 | 2 |
| 4L | 357 | 140 | 28 | 2 |
| 4R | 357 | 67 | 28 | 2 |
| 5 | 144 | 99 | 10 | 4 |

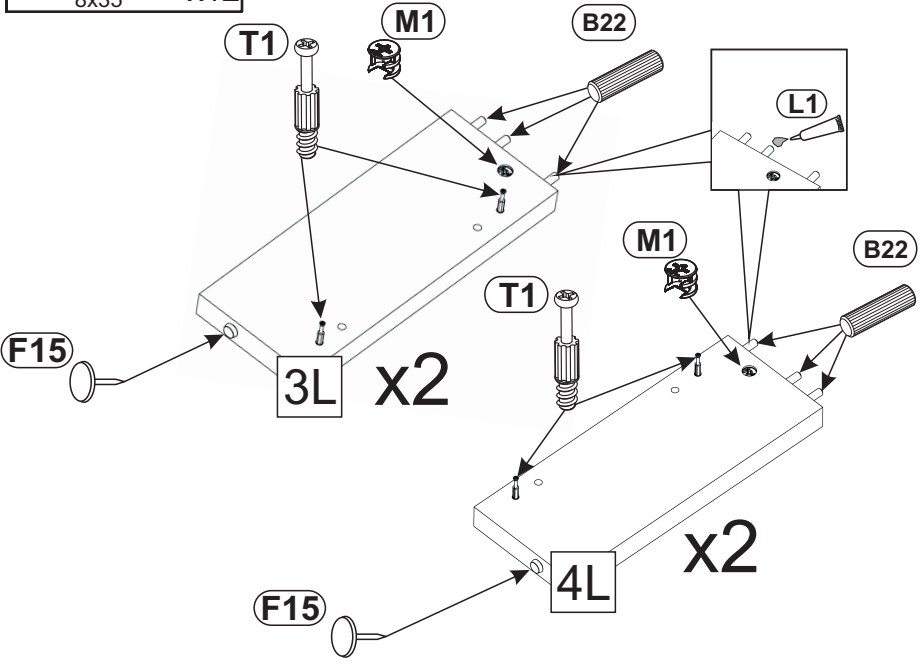


0 10 20 30 40 50 60 70 80 90 100 110 120 130 140 150 160 170 180 190 200

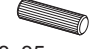

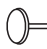

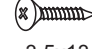




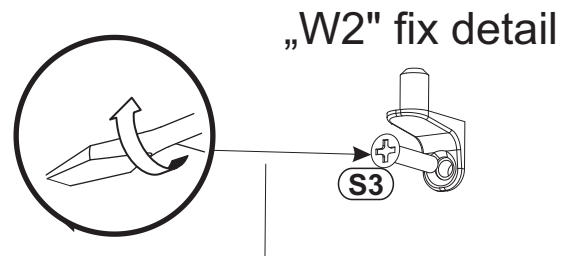
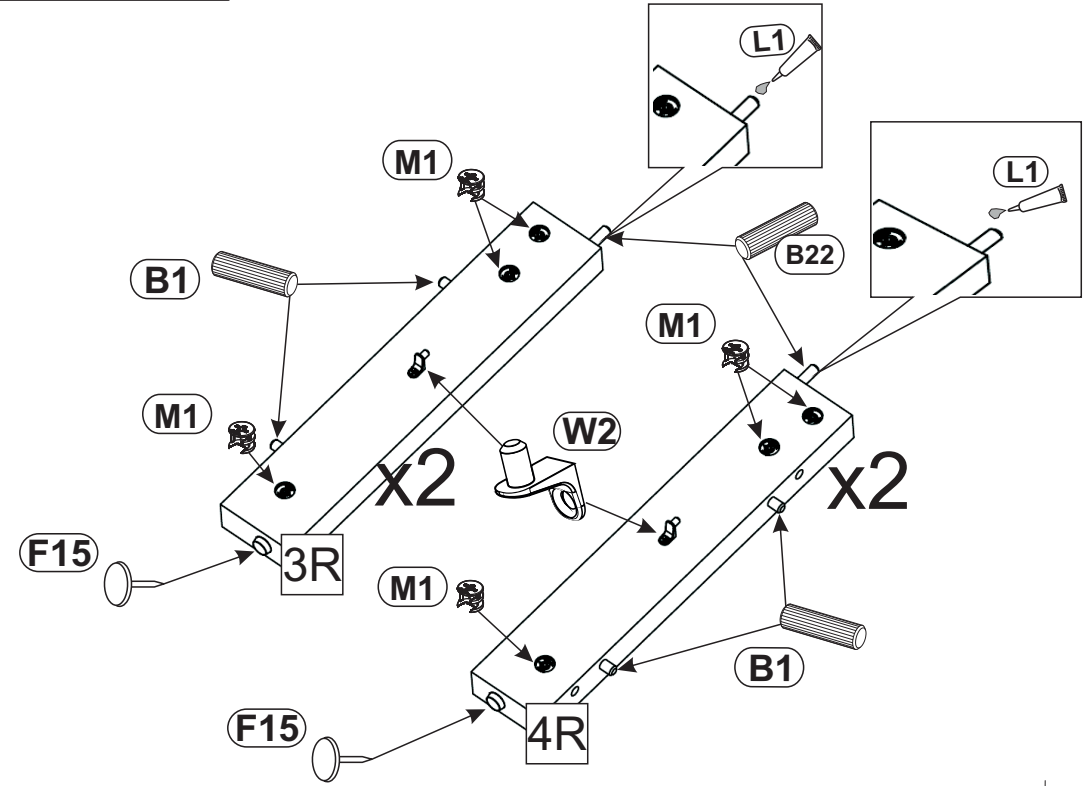
1

| | |
|--|---|
| T1  x8 | M1  x4 |
| F15  x4 | L1  x1 |
| B22  8x35 x12 | |

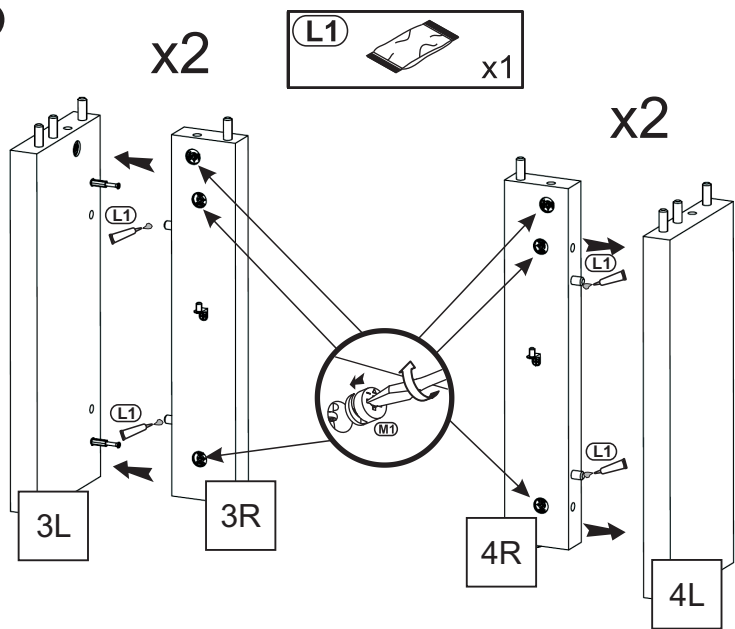


2

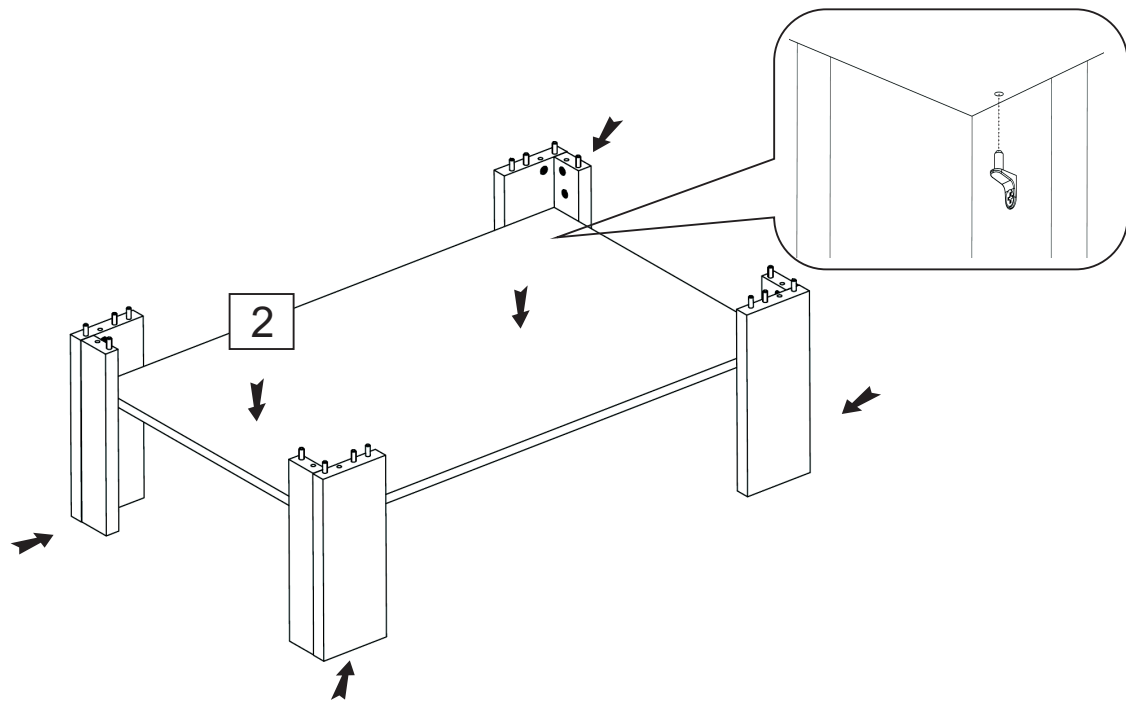
| | |
|--|--|
| B22  8x35 x4 | B1  8x28 x8 |
| F15  x4 | L1  x1 |
| S3  3,5x13 x4 | M1  x12 |
| W2  x4 | |



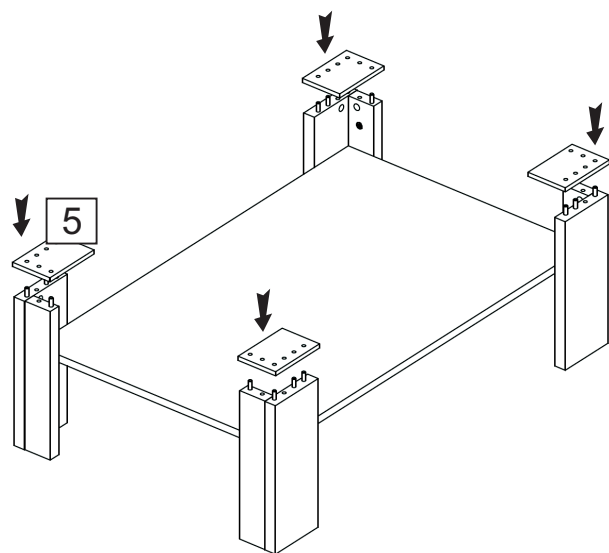
3



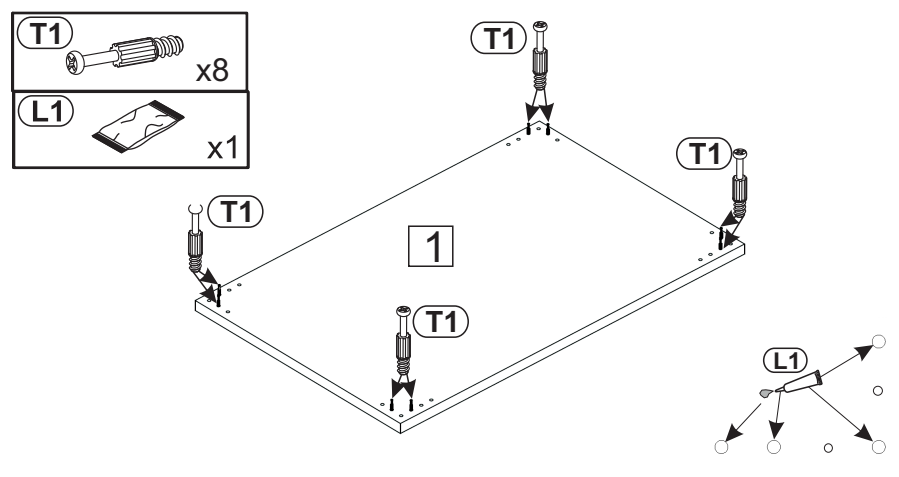
4



5



6



7

