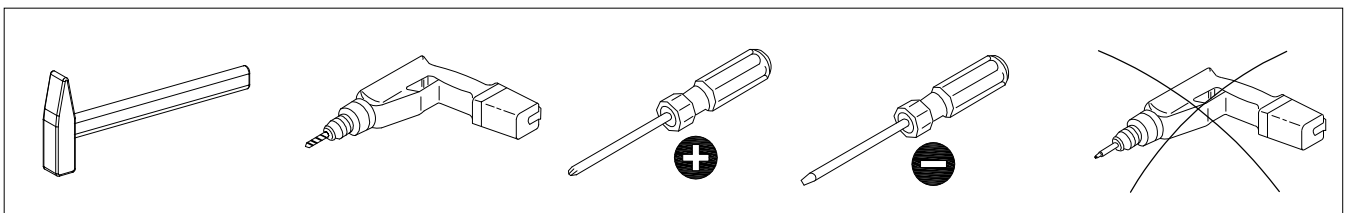
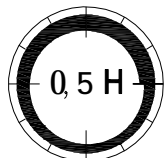
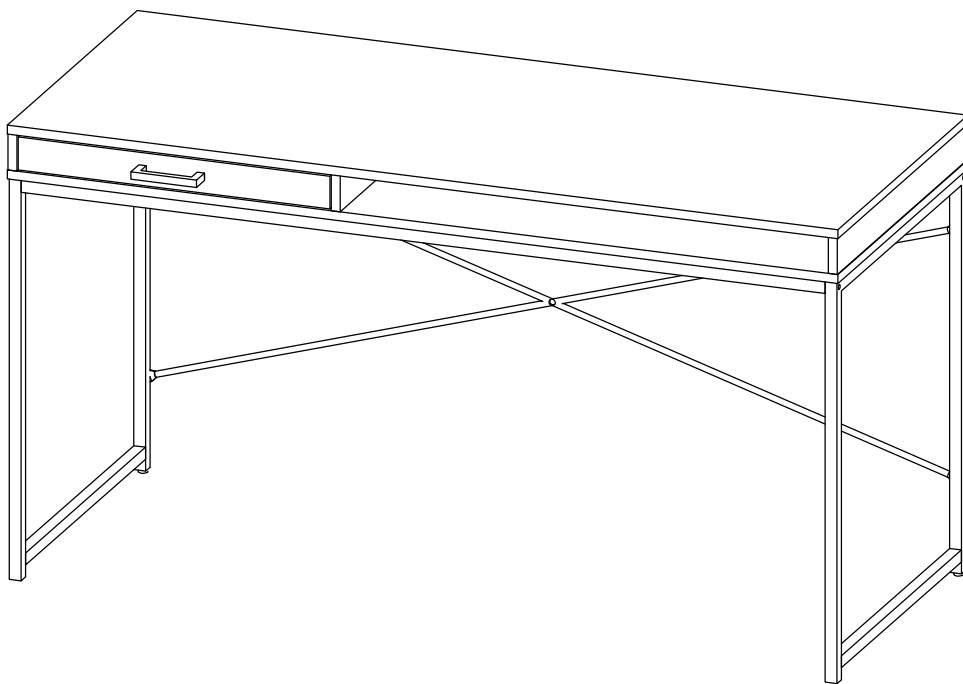
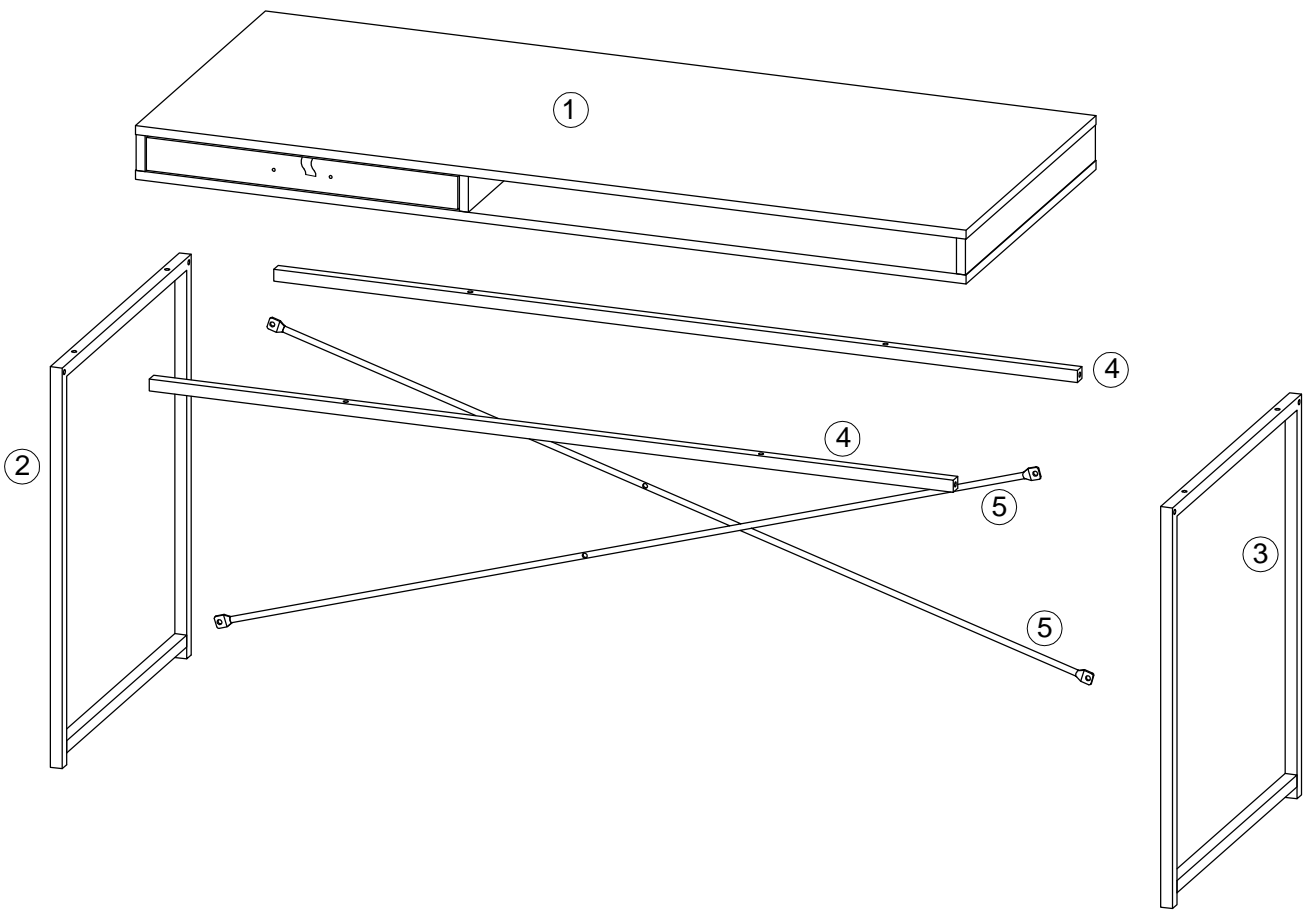


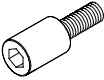





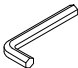



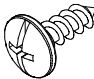
Seaford



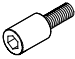


21/10/2021

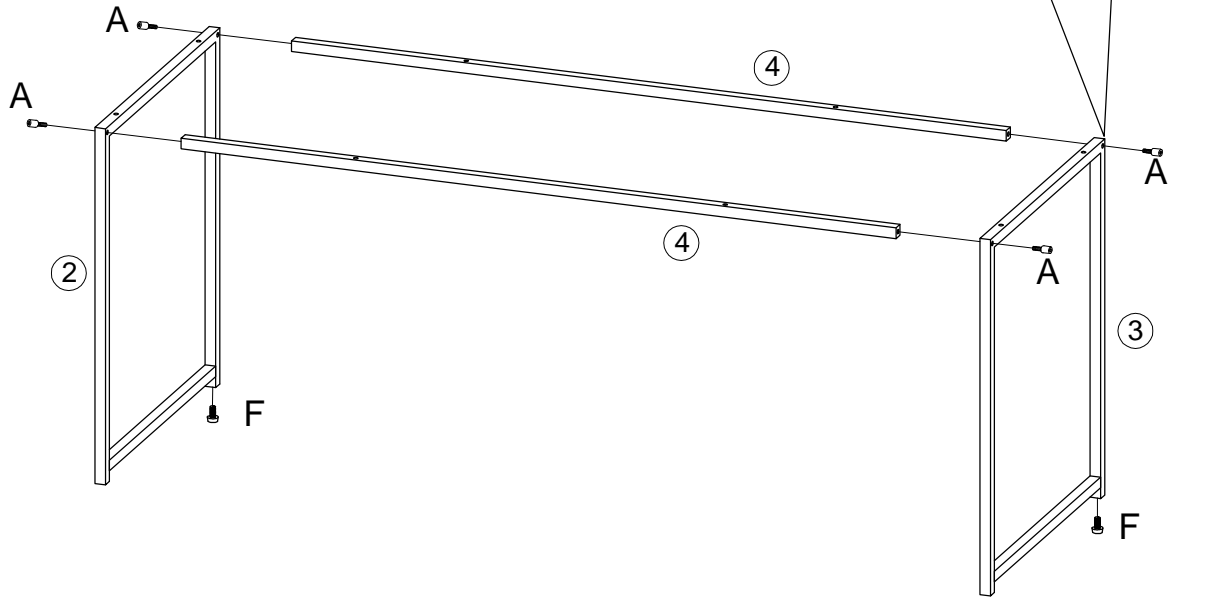
			✓
①	1	1400×580×90	
②	1	670×575×20	
③	1	670×575×20	
④	2	1355×20×20	
⑤	2	∅10×1456	







A x 4  M6×15mm	B x 8  M6×30mm	C x 1  M6×15mm	D x 4  M6×12mm
E x 1  M6	F x 2  Ø22	G x 1  4mm	H x 1  M6
J x 4  Ø18	K x 2  L=150mm	L x 2  M4×12mm	

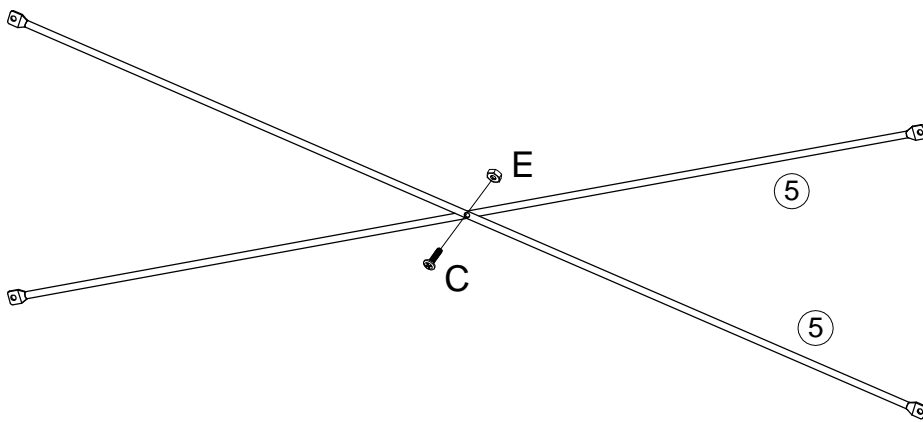
1

A x 4	F x 2	G x 1
		
M6x15mm	Ø22	4mm


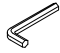


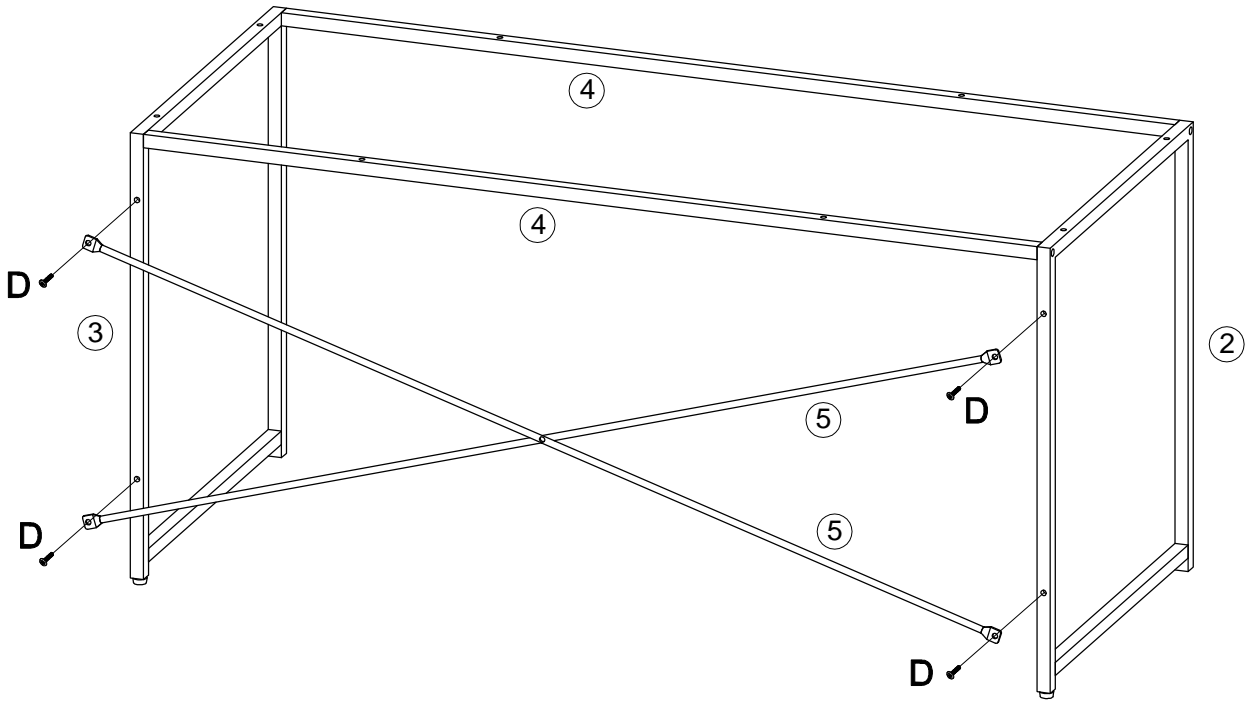
2

C x 1	E x 1	G x 1	H x 1
			
M6x15mm	M6	4mm	M6





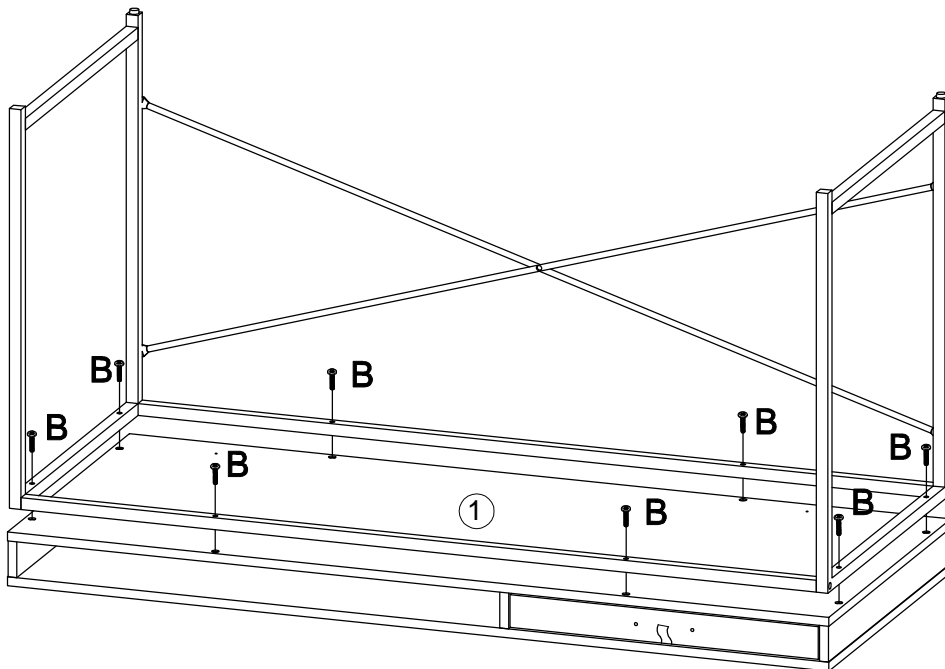
3

D x 4	G x 1
	
M6x12mm	4mm






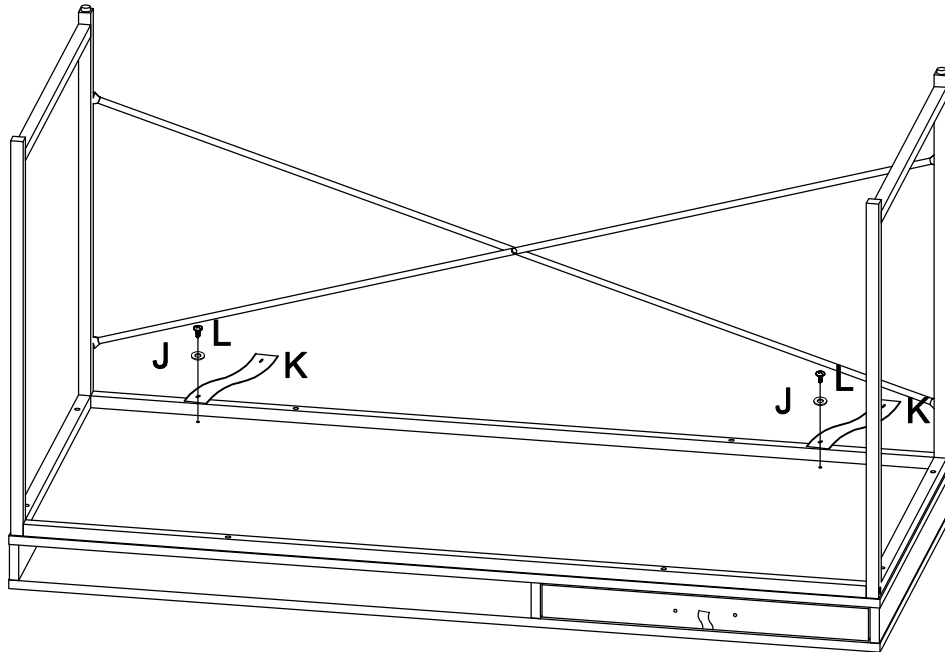
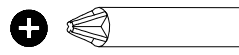
4

B x 8	G x 1
	
M6x30mm	4mm

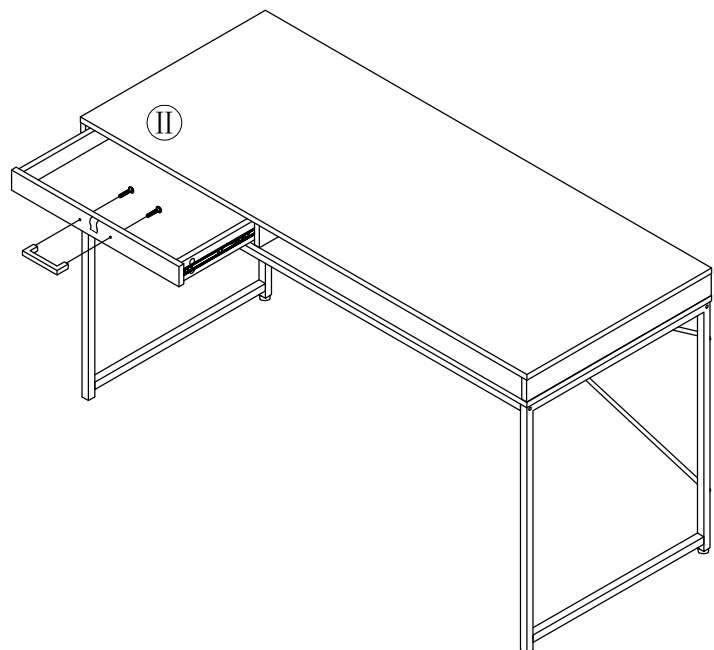
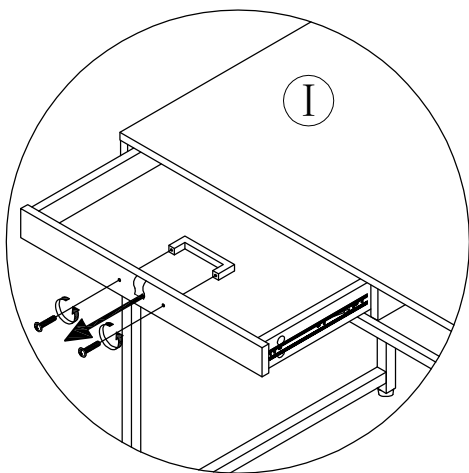
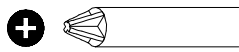


5

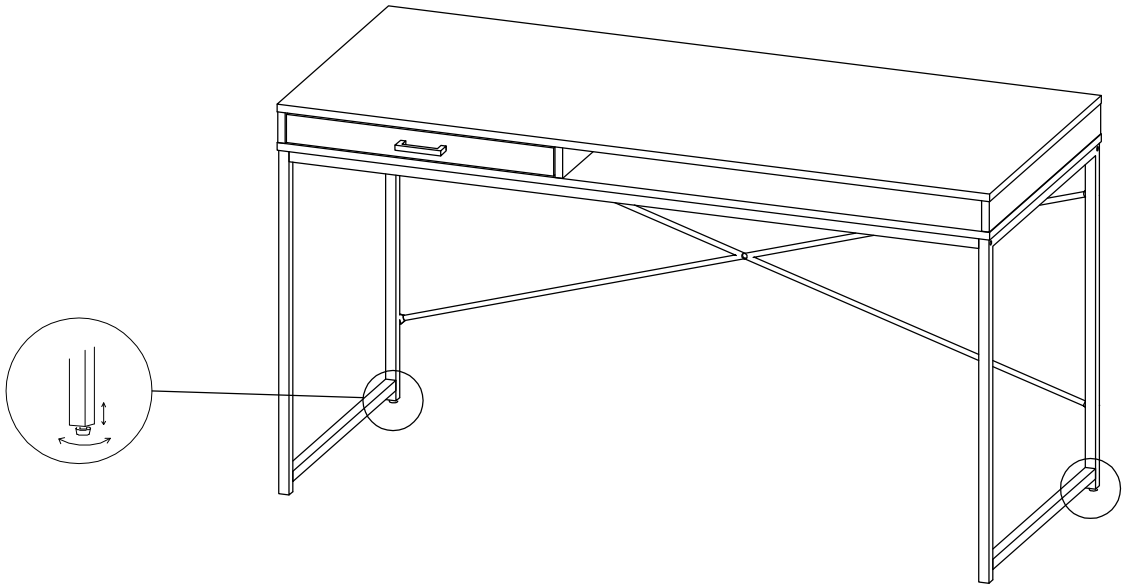
J x 2	K x 2	L x 2
		
Ø18	L=150mm	M4x12mm



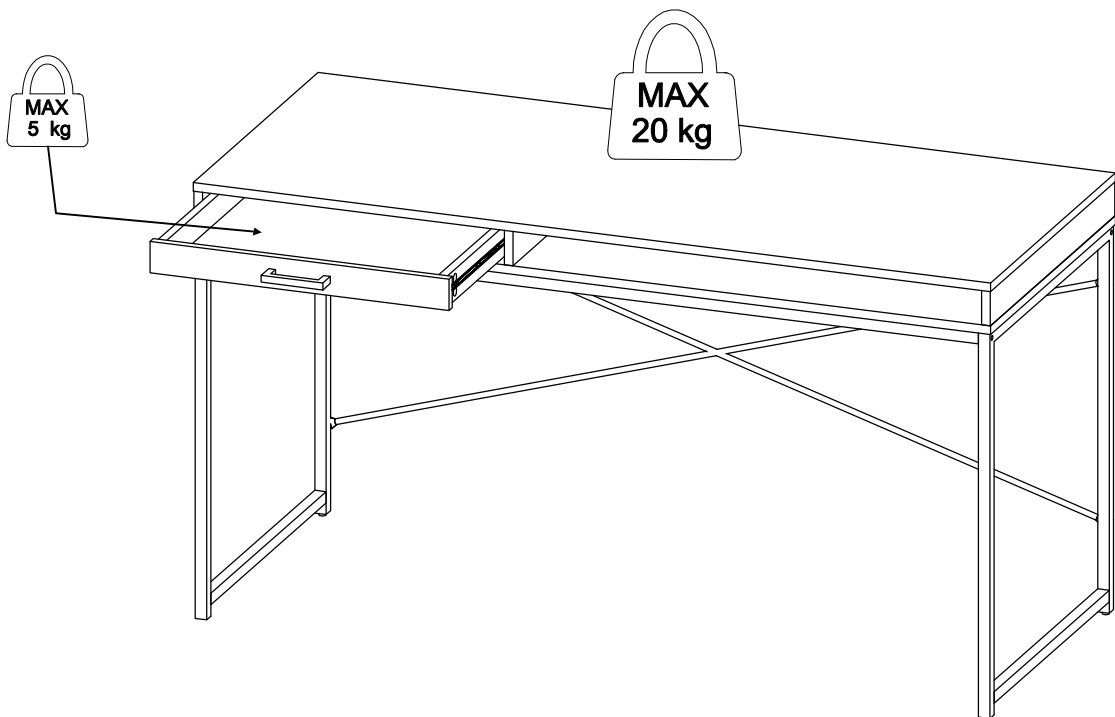
6



7



8



9

