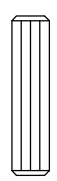
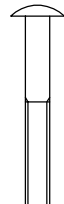





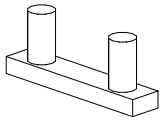

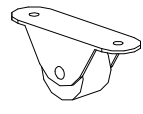




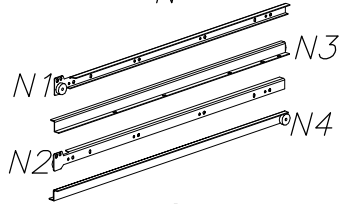


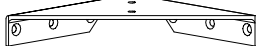
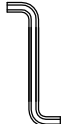
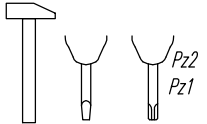
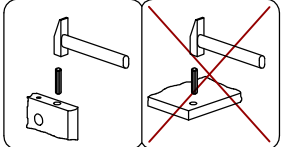
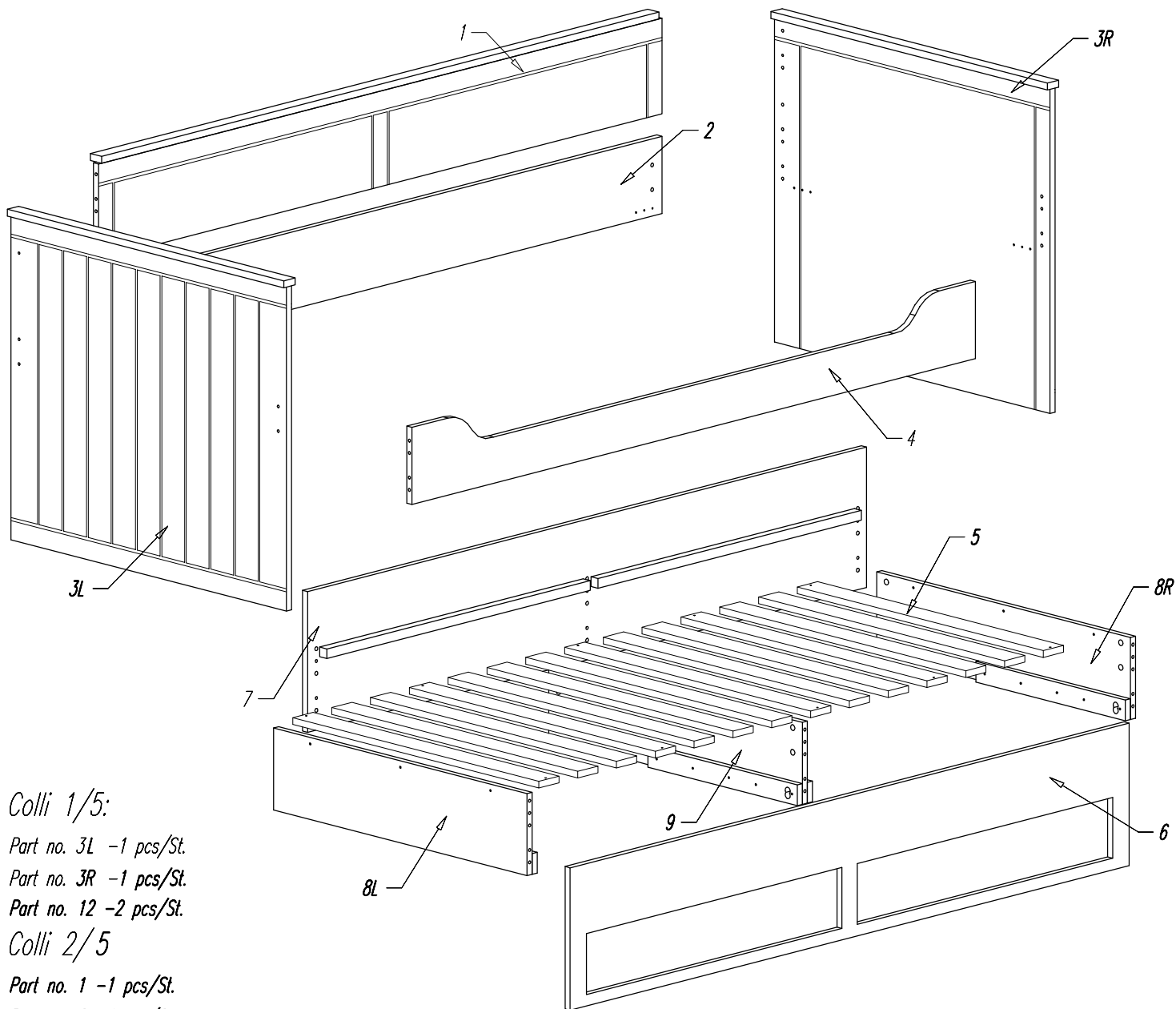


- | | | | | | | | | | | | |
|--|---|---|---|---|---|--|---|---|---|---|---|
| A  ø7,8x40 x41 | B  M6x55 x10 | C  x10 | D  ø3,5x30 x16 | E1  L=34/St x9 | E2  L=34/M6 x9 | F  ø15x15 x18 | G  x4 | H  ø3,5x20 x12 | I  x6 | J  ø7x50 x16 | K  ø3,5x30 x10 |
| L  EURO ø5,8x11 x20 | M  ø3x13 x20 | N  N1 N2 N3 N4 x2 | | O  ø3,5x35 x10 | P  ø4x16 x24 | R  x4 | K  x1 | | | | |

Tools required
Outillage nécessaire
Werkzeuge



Colli 1/5:

Part no. 3L -1 pcs/St.

Part no. 3R -1 pcs/St.

Part no. 12 -2 pcs/St.

Colli 2/5

Part no. 1 -1 pcs/St.

Part no. 2 -1 pcs/St.

Part no. 4 -1 pcs/St.

Colli 3/5

Part no. 6 -1 pcs/St.

Part no. 7 -1 pcs/St.

Part no. 11 -4 pcs/St.

Part no. 13 -2 pcs/St.

Part no. 14 -2 pcs/St.

Colli 4/5

Part no. 8L -1 pcs/St.

Part no. 8R -1 pcs/St.

Part no. 9 -1 pcs/St.

Part no. 10 -2 pcs/St.

Part no. 15 -2 pcs/St.

Fittings/Beschlage

Assembly instruction/Montageanleitung

Colli 5/5

Part no. 5 -1 pcs/St.

