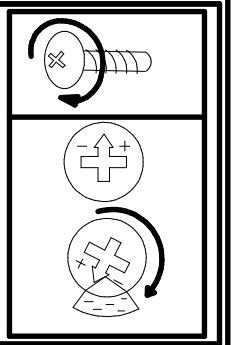
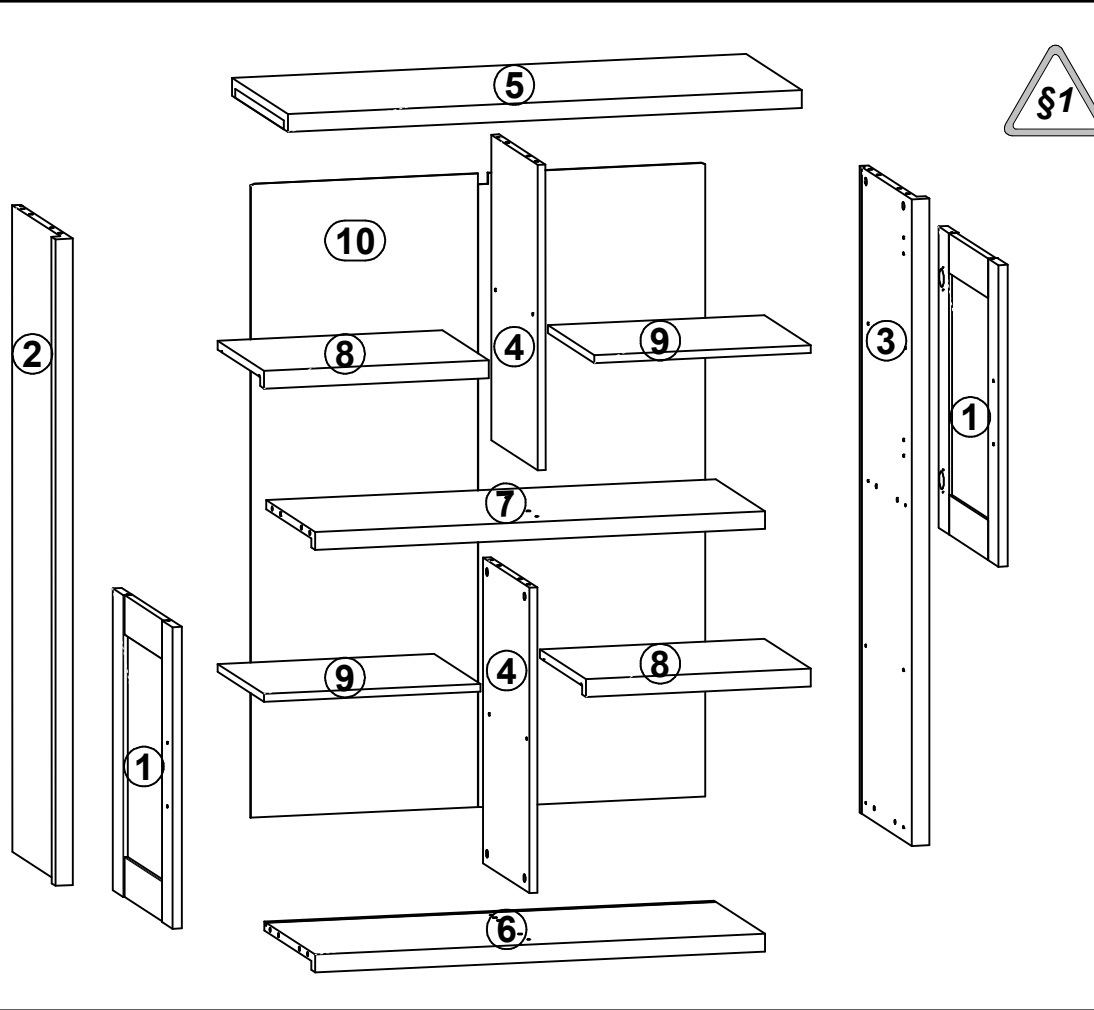
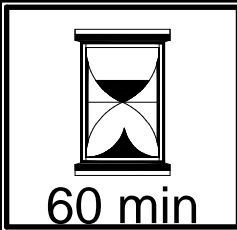
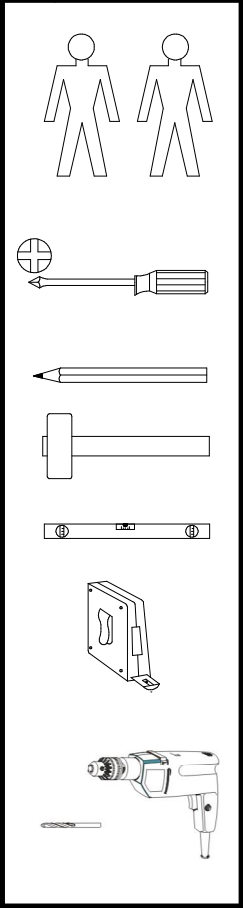
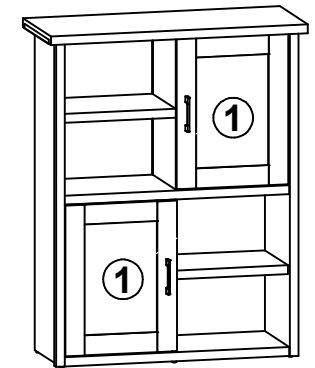


Mo	Tu	We	Th	Fr	Sa	Su
		1	2	3	4	5
6	7	8	9	10	11	12
13	14	15	16	17	18	19
20	21	22	23	24	25	26
27	28	29	30	31		

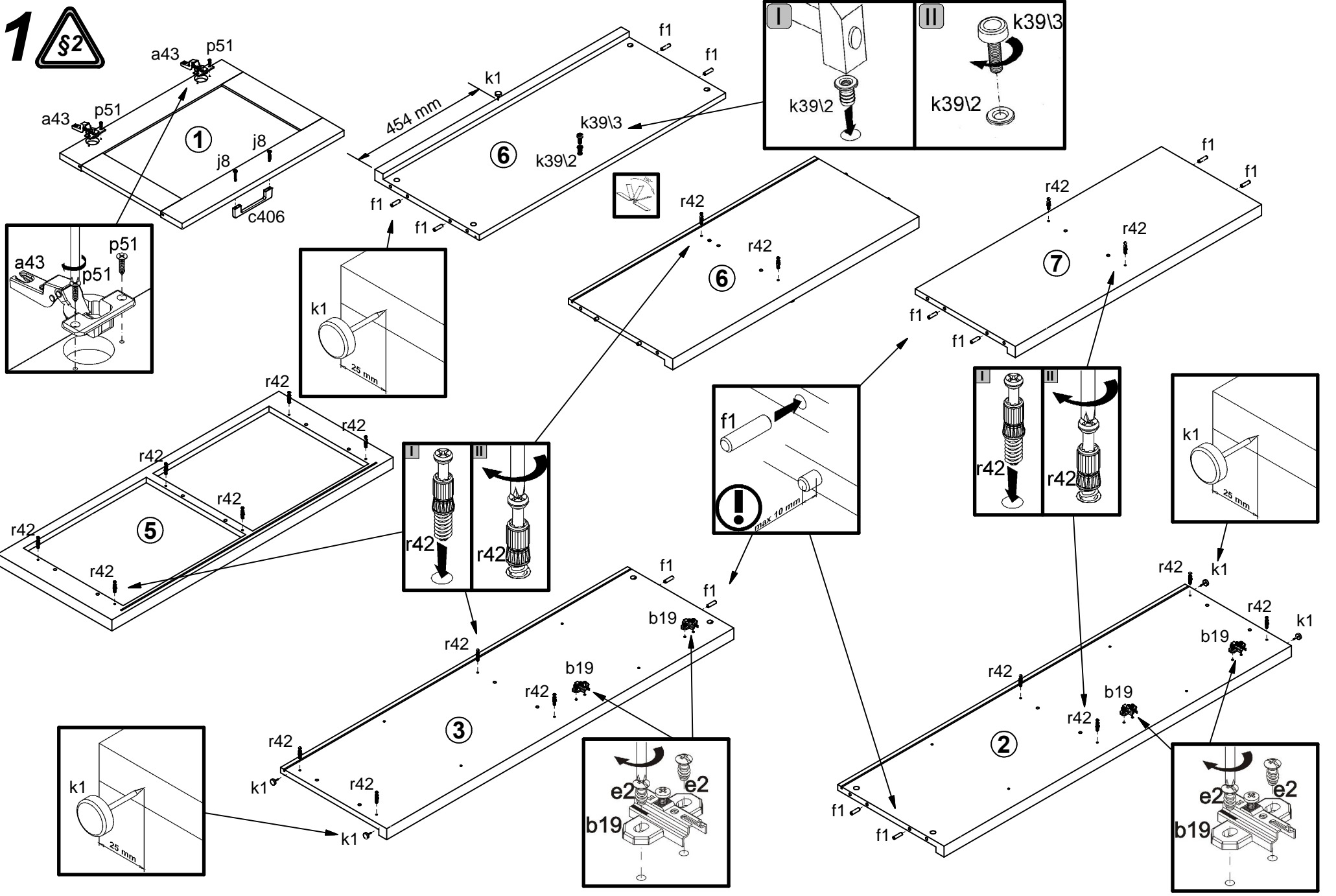




A	B	C (mm)		D
1	S328-008	608	459	3/3
2	S328-109	1304	399	1/3
3	S328-110	1304	399	1/3
4	S328-111	616	356	1/3
5	S328-203	1057	429	2/3
6	S328-304	925	392	2/3
7	S328-305	925	376	2/3
8	S328-306	462	355	2/3
9	S328-307	445	355	2/3
10	S328-908	1278	935	1/3

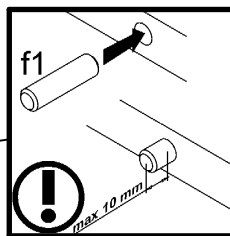
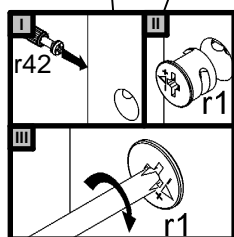
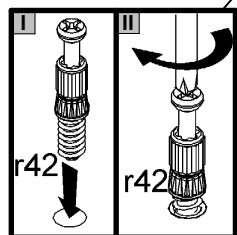


4x a43	4x b19	2x c406 128 mm	16x d1 Ø5x17 mm	20x f1 Ø8x30 mm	4x j8 M4x25 mm	5x k1	1x k3912 M6/Ø14x14 mm	1x k3913 M6/22 mm	35x l1	20x l2	1x n14 81x21x15/1,5	2x p38 Ø3,5x16 mm
8x p51 Ø3,5x15 mm	20x r1 Ø15x12 mm #16	20x r42 20/11	12x s2 Ø16									

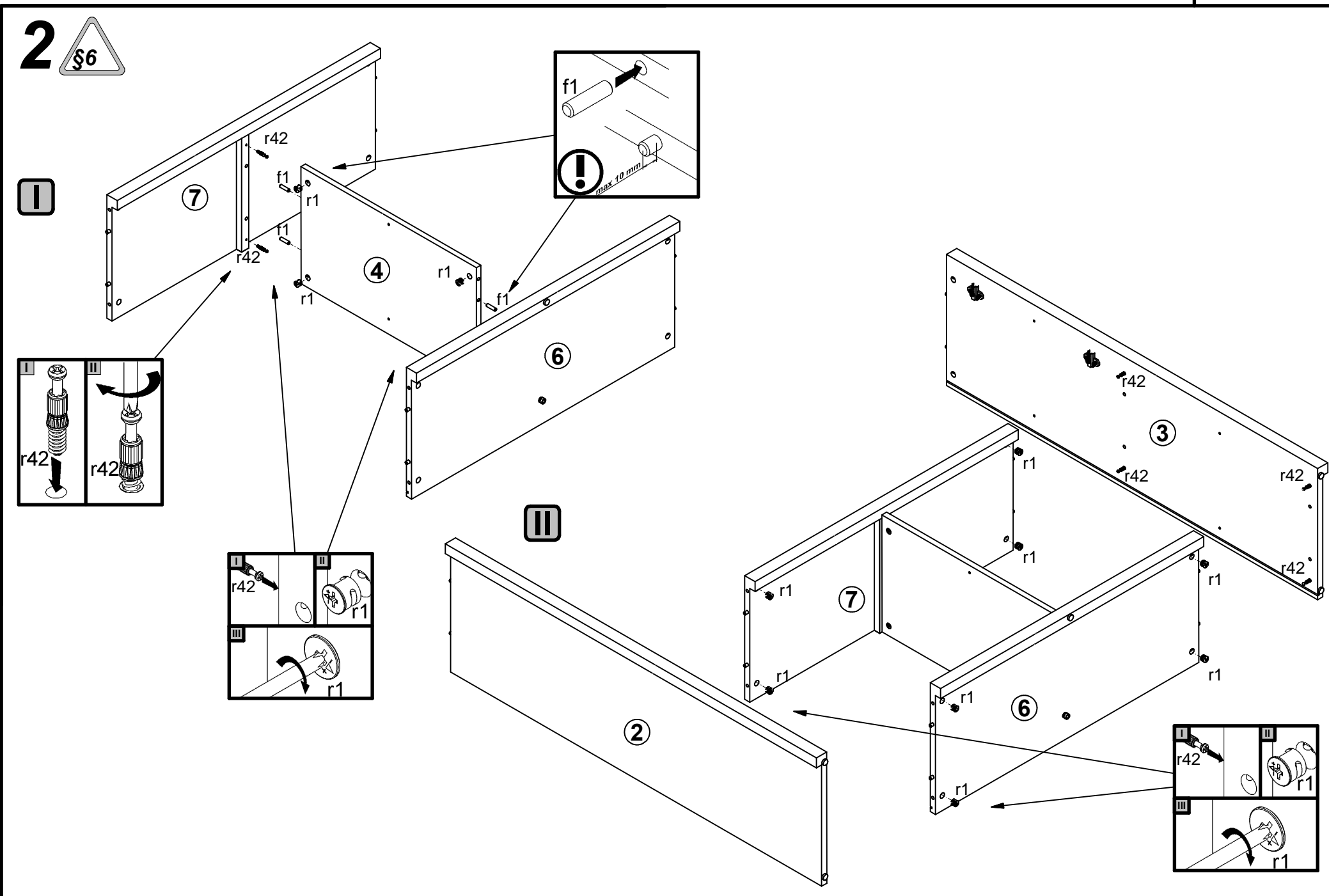
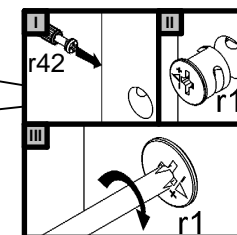


2 

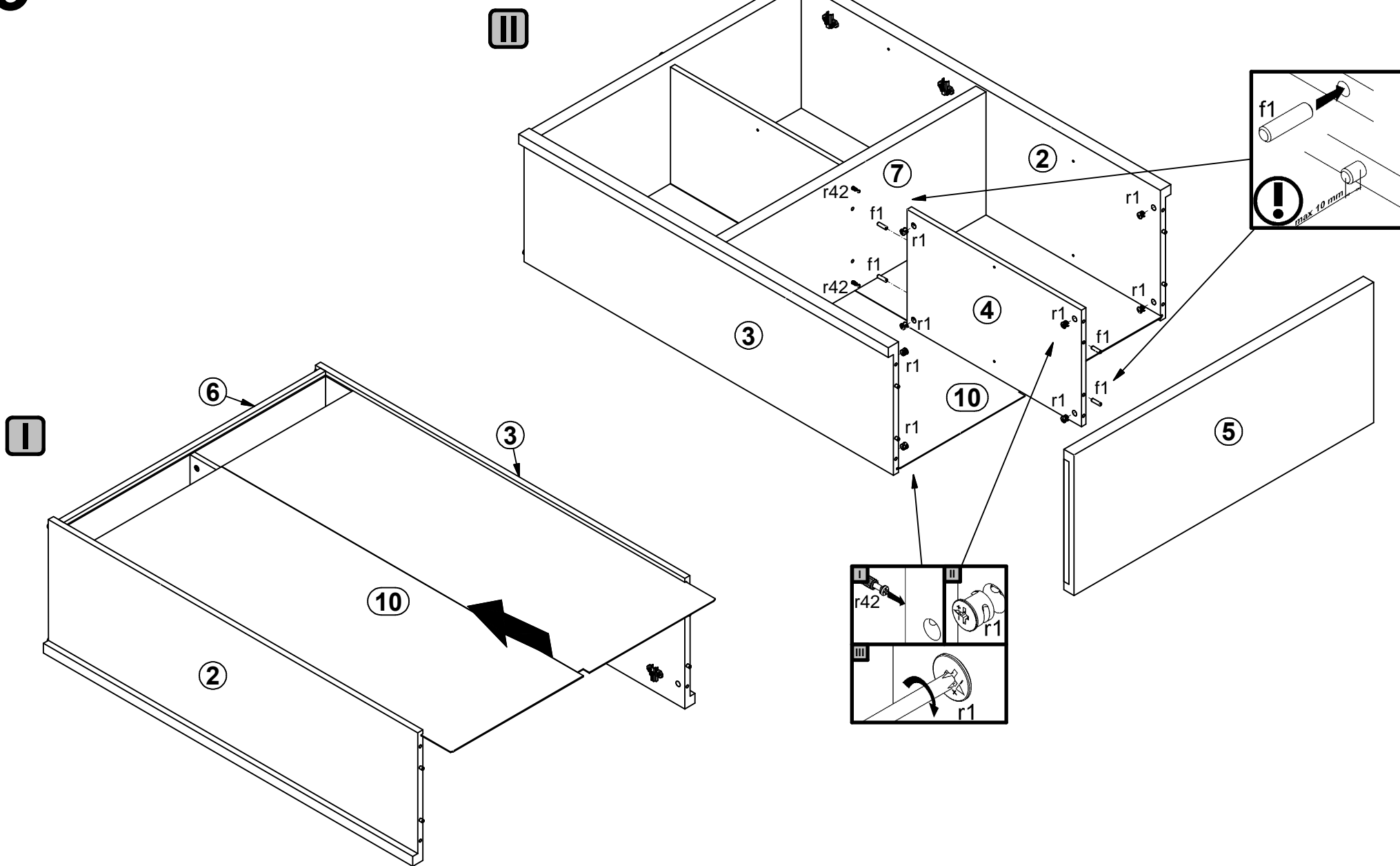
I



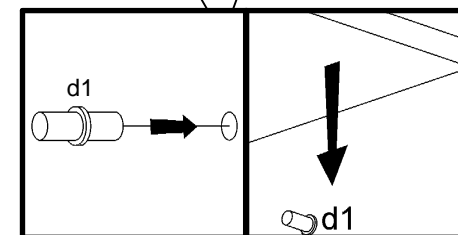
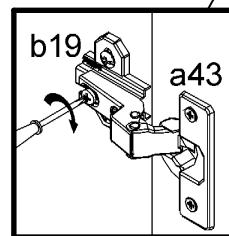
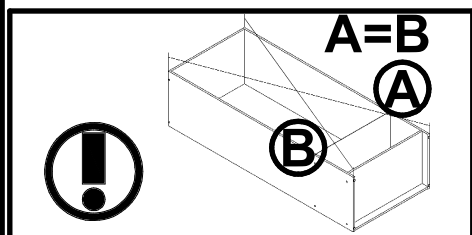
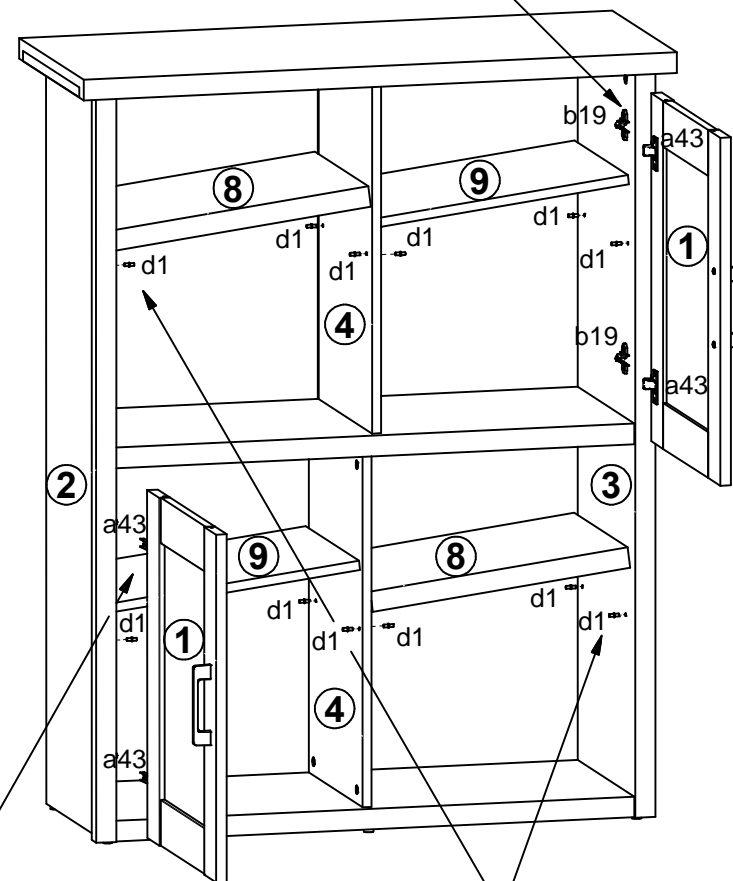
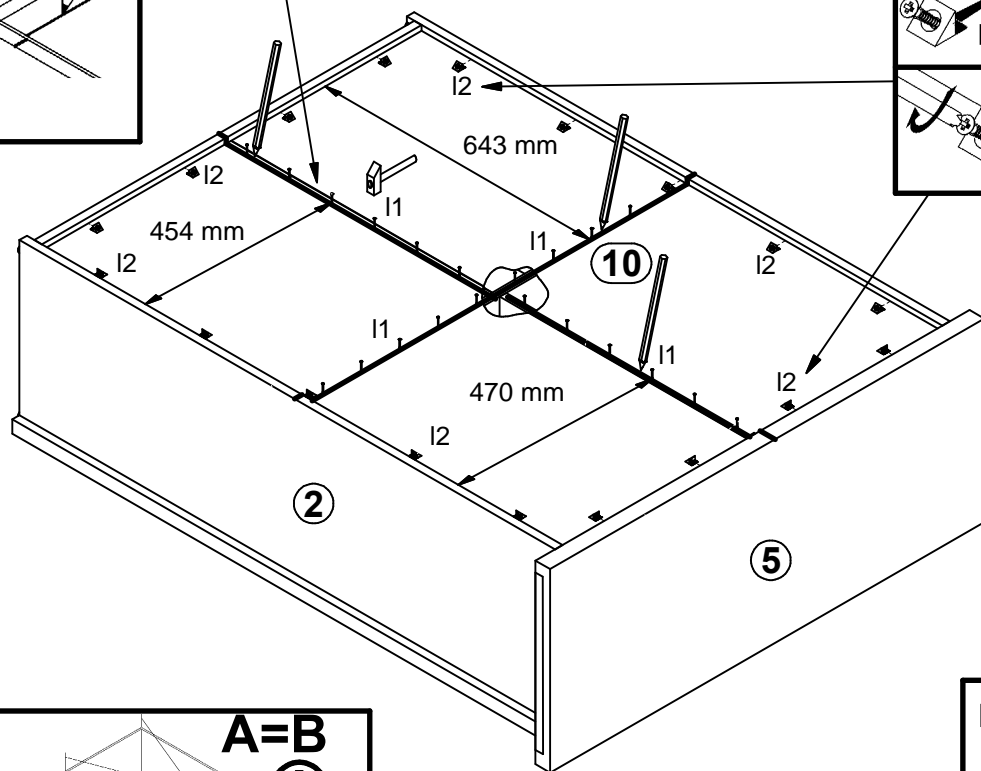
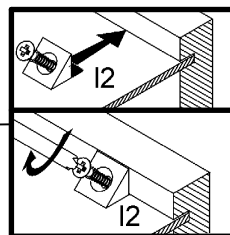
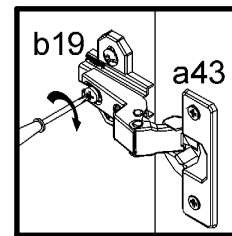
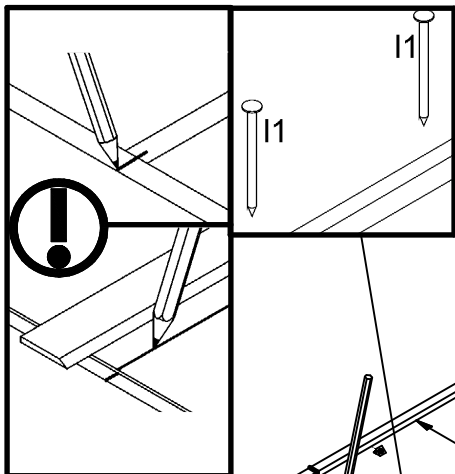
III



3



4



5

