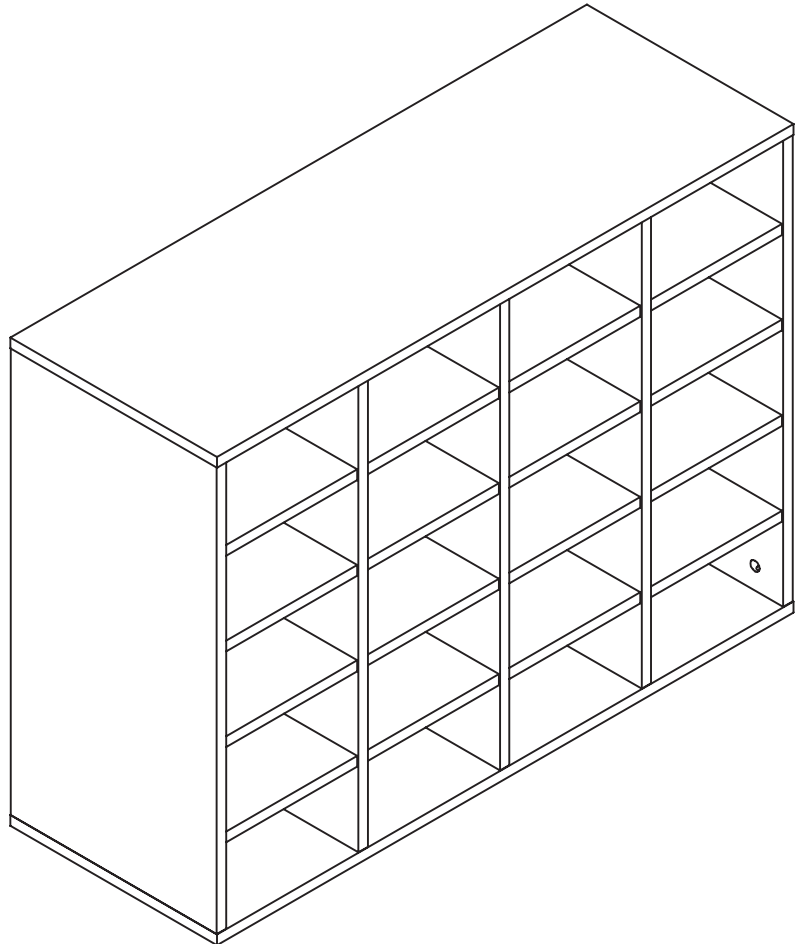
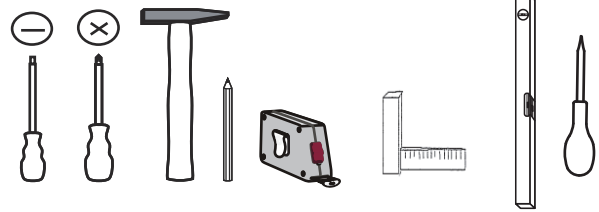
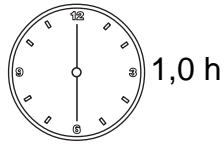
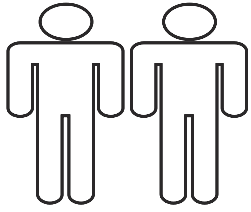
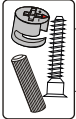
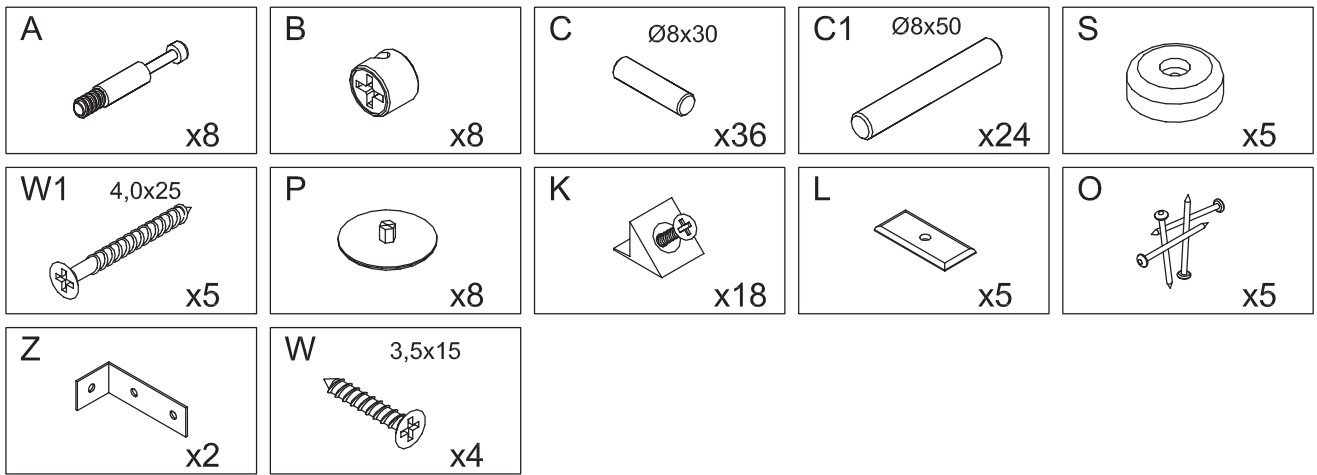


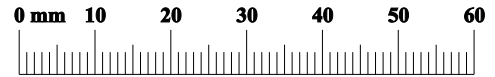
# BOOTS Multiregal 2

35-485-...-9

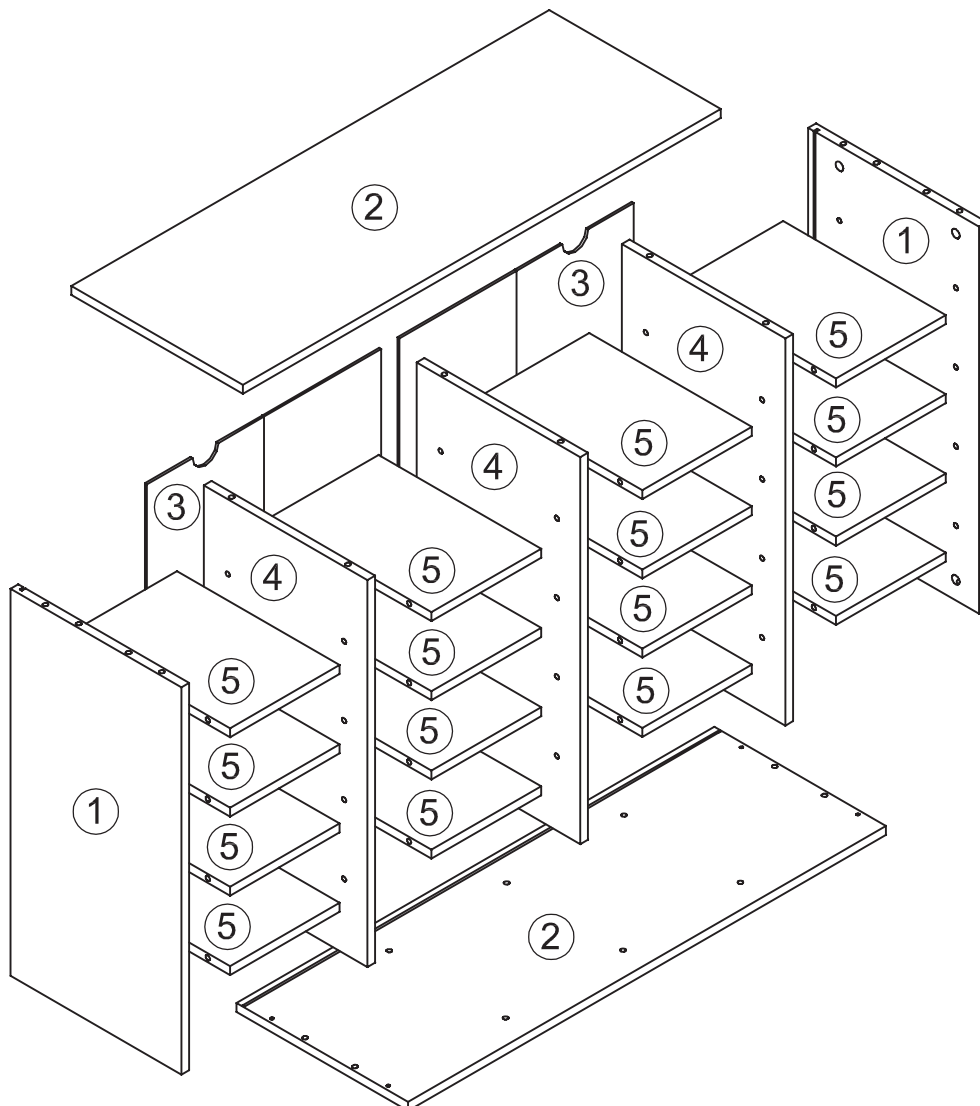


**1/1**

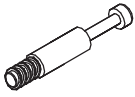


1	x2	ca. 645 x 329 x 15	1/1
2	x2	ca. 920 x 330 x 15	1/1
3	x2	ca. 657 x 451 x 3	1/1
4	x3	ca. 645 x 314 x 15	1/1
5	x16	ca. 211 x 313 x 15	1/1

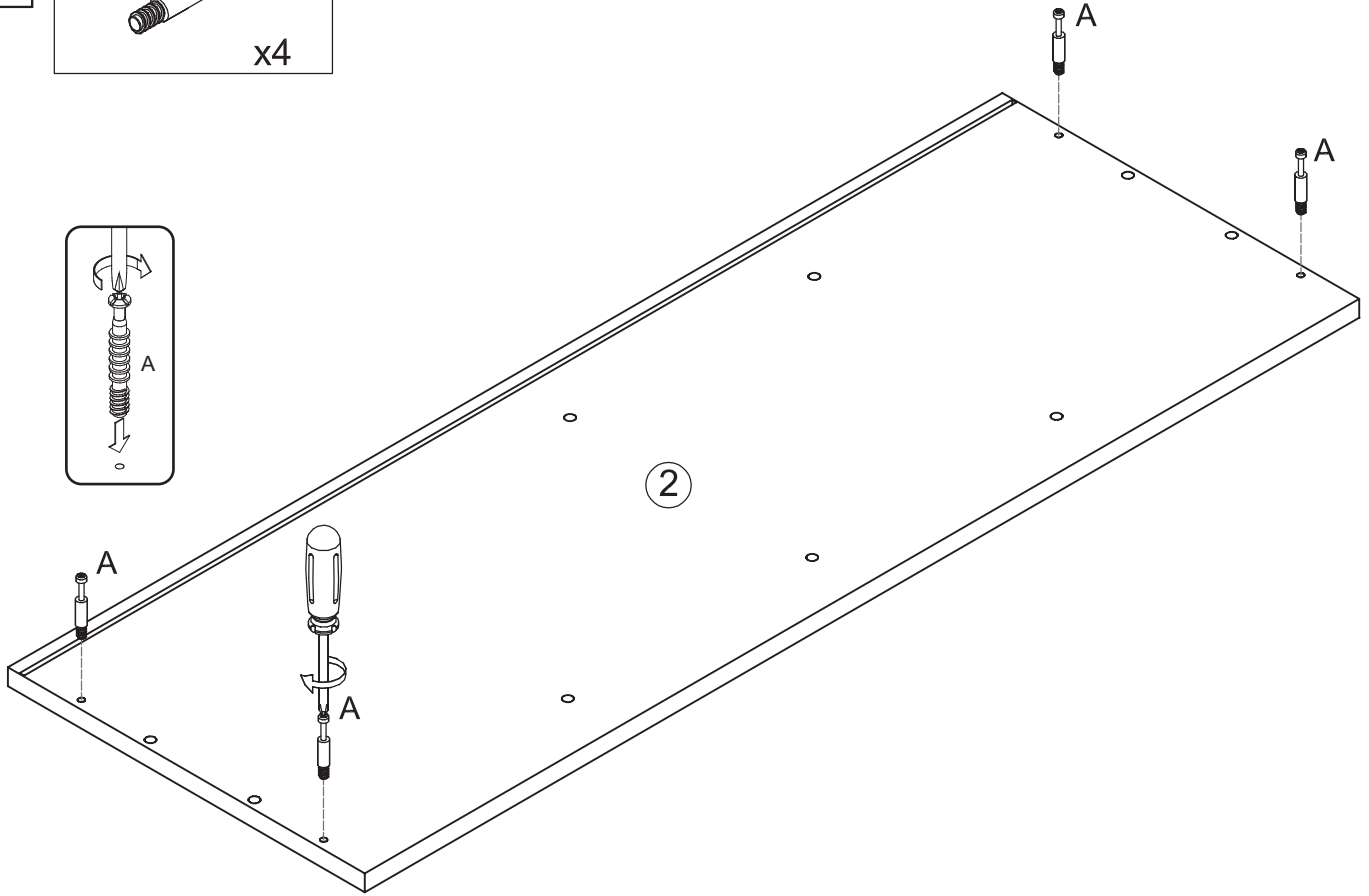
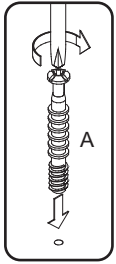


1

A

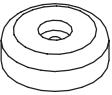


x4



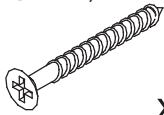
2

S



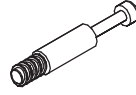
x5

W1 4,0x25

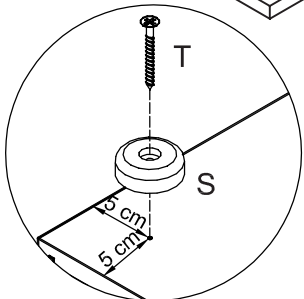
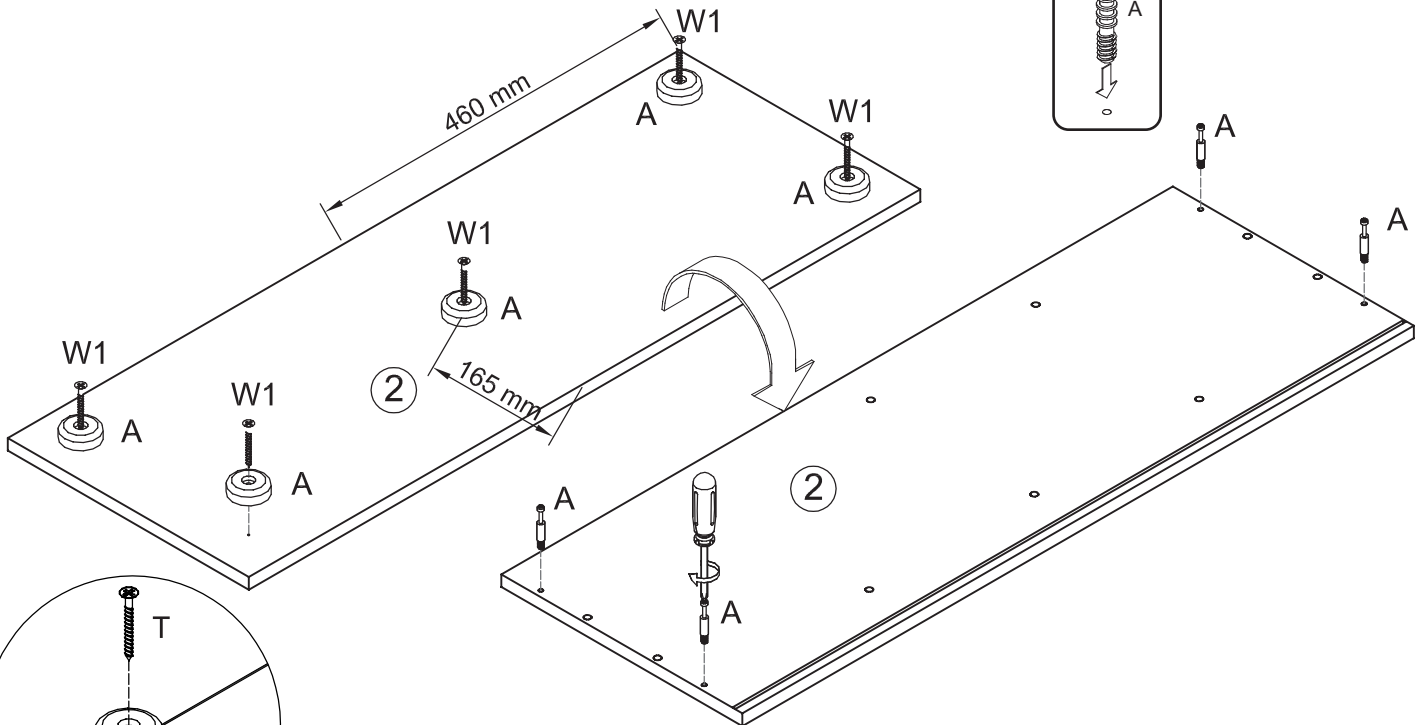
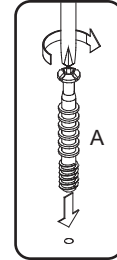


x5

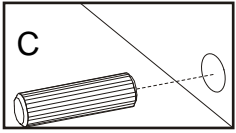
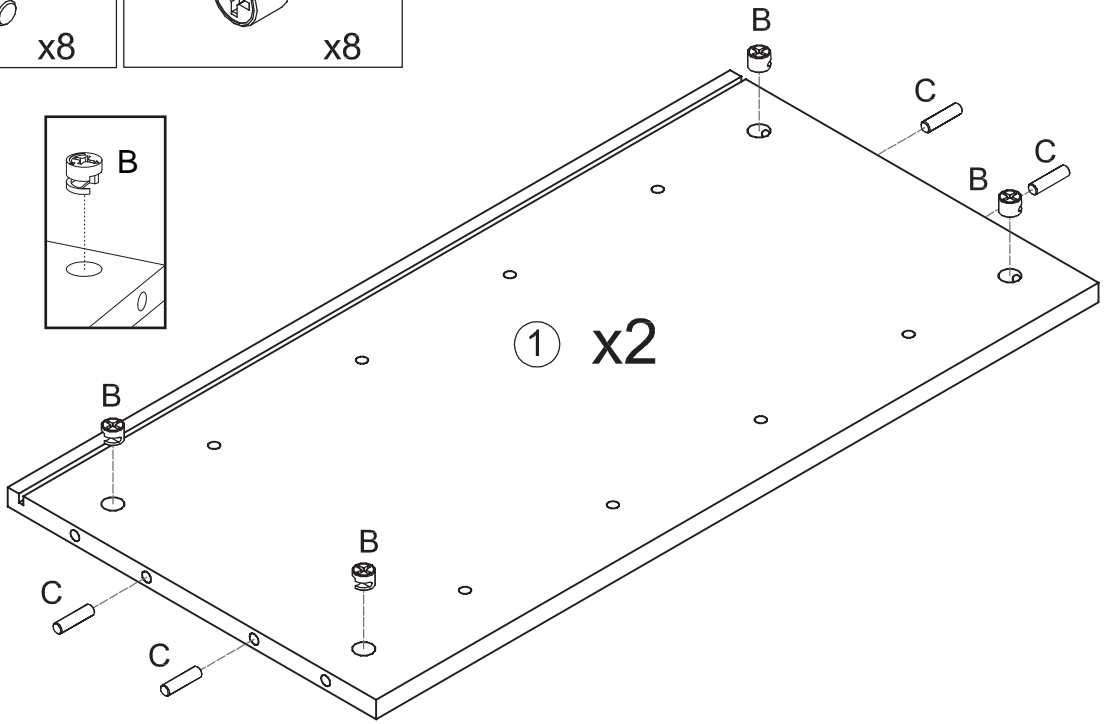
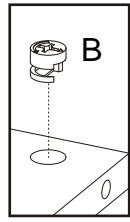
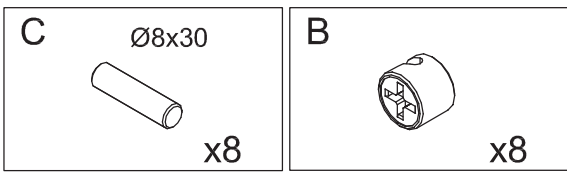
A



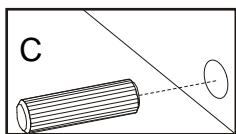
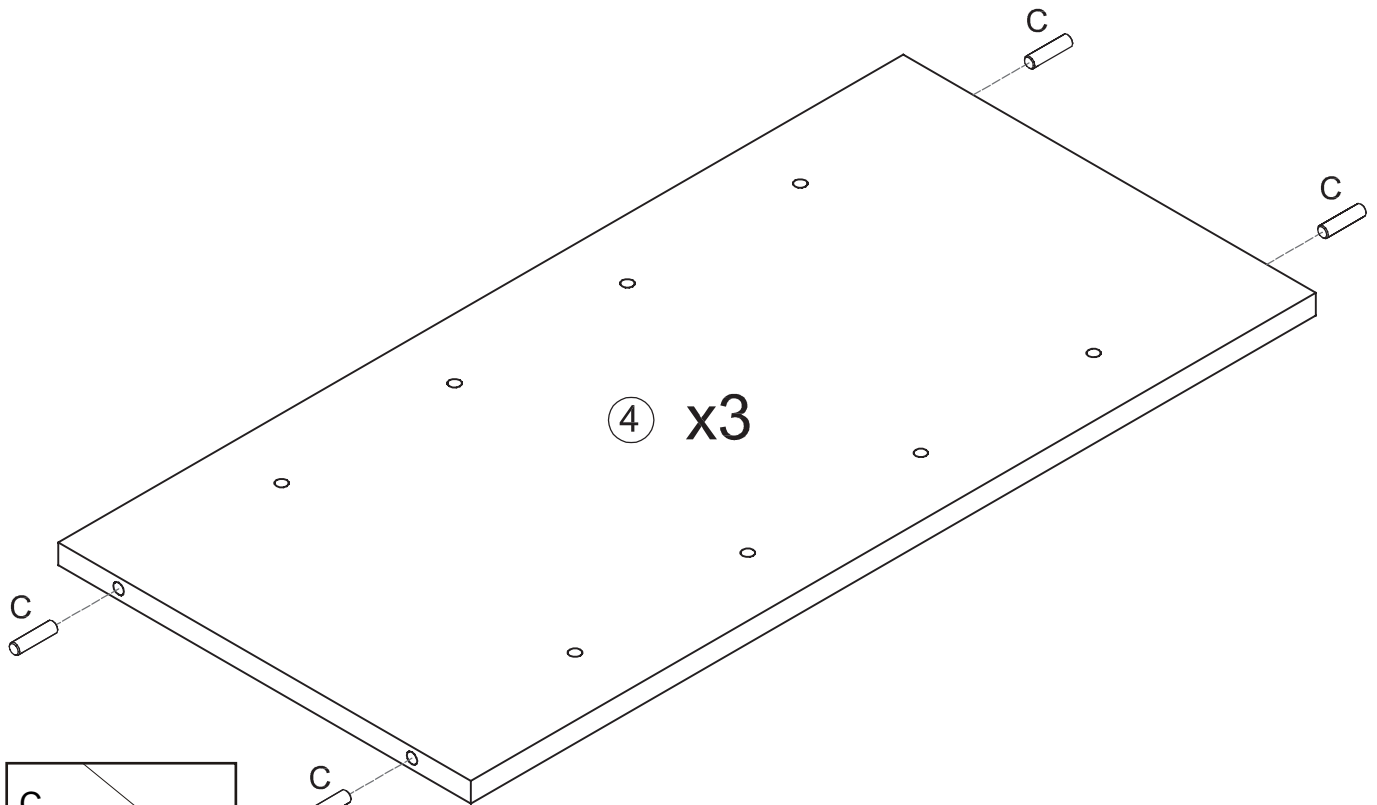
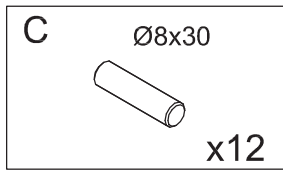
x4



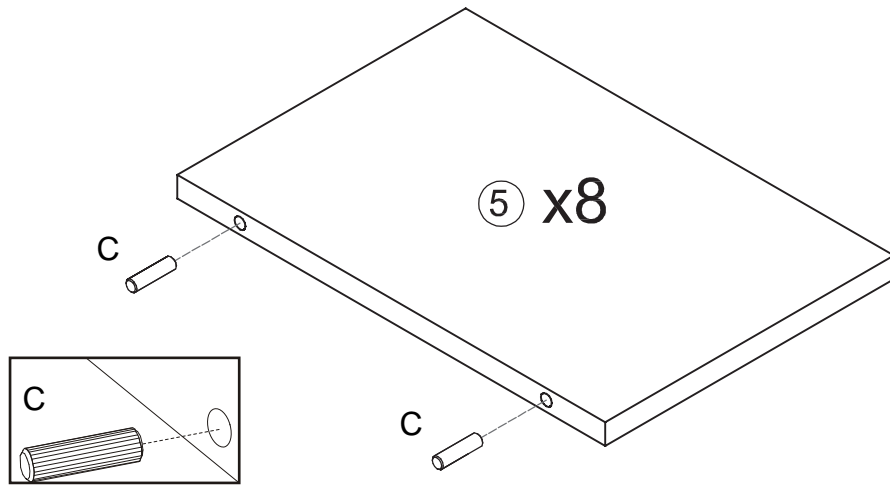
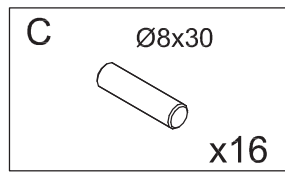
3



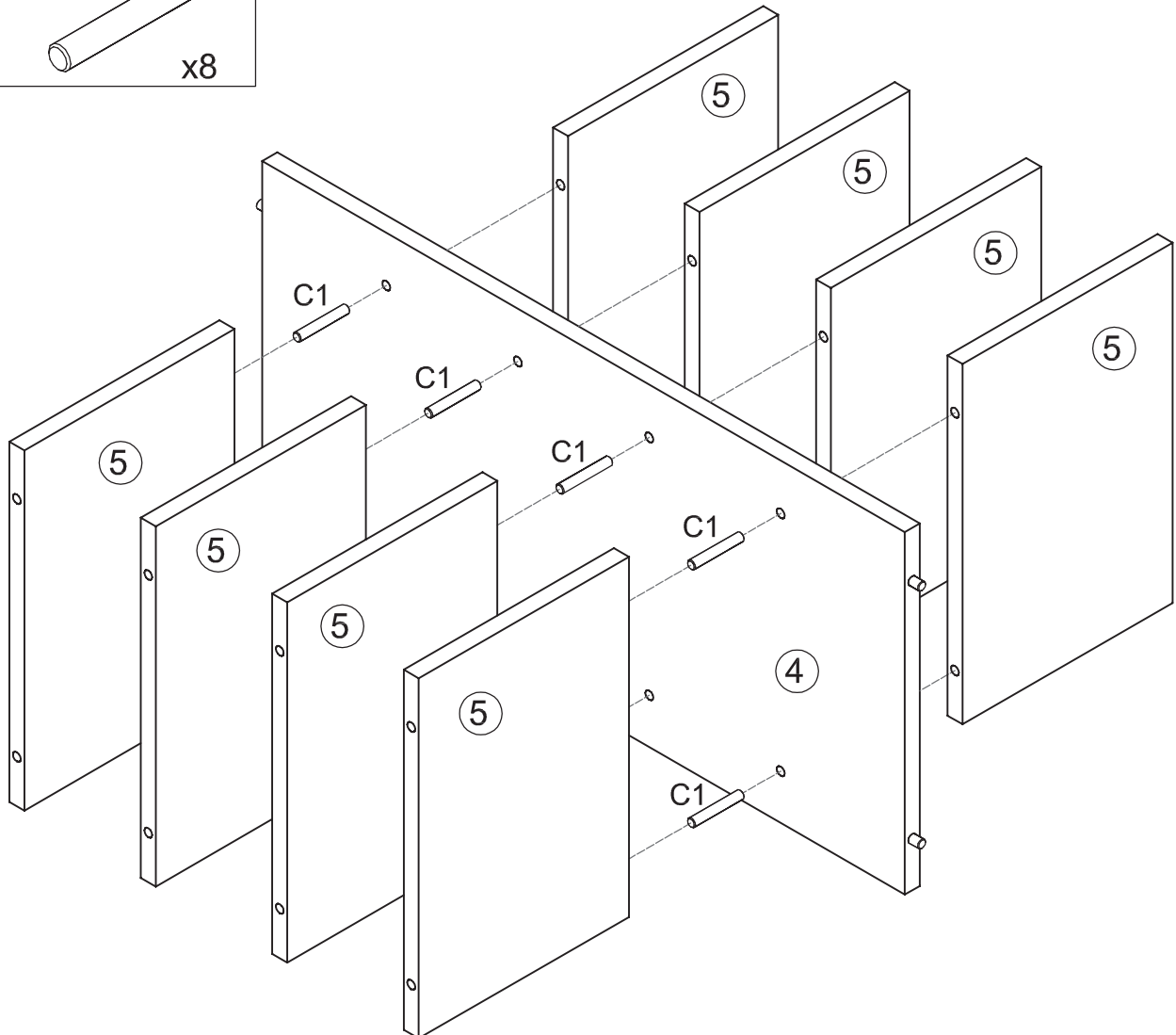
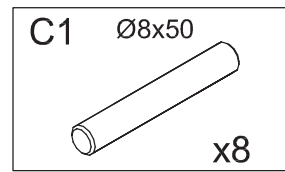
4



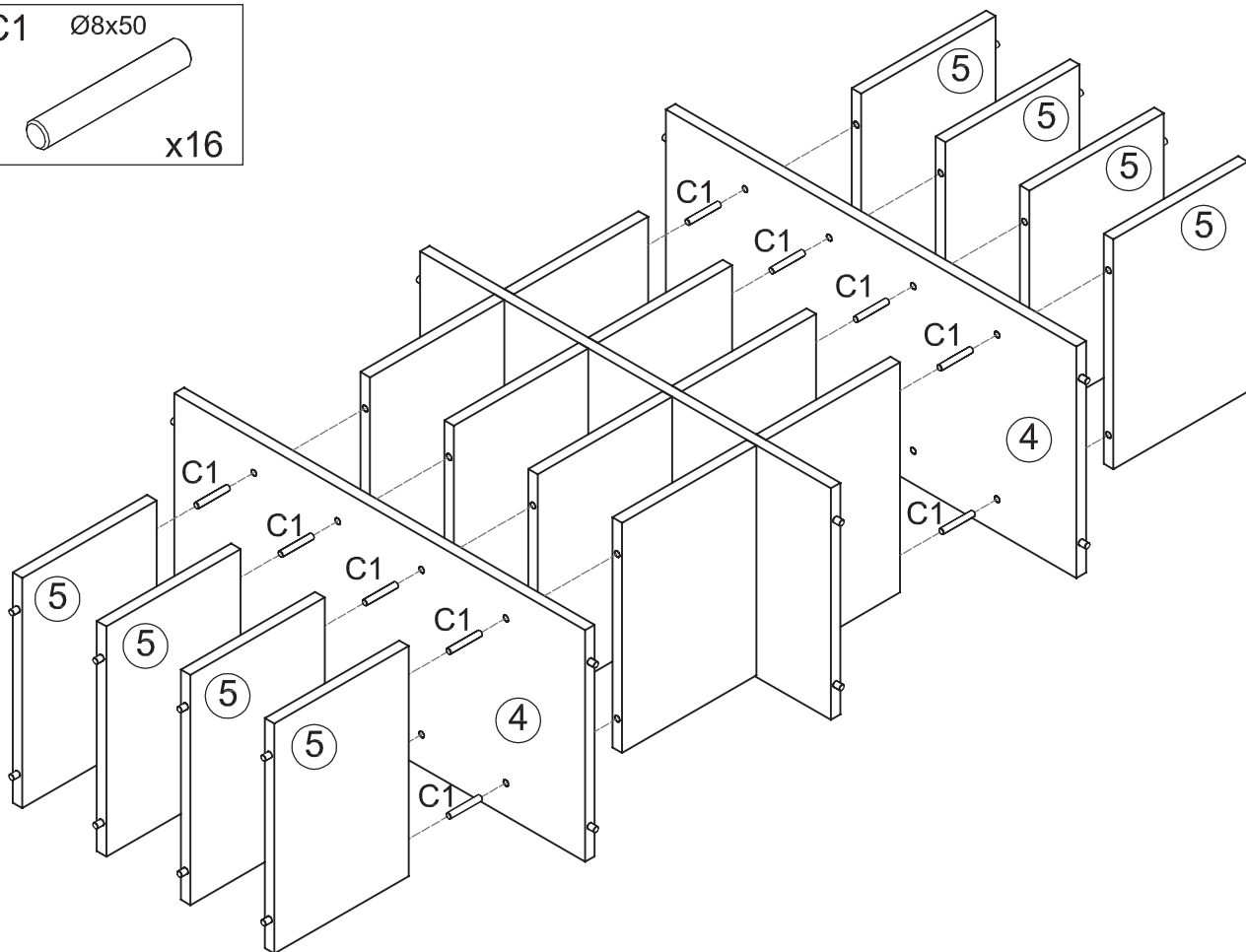
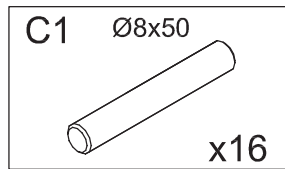
5



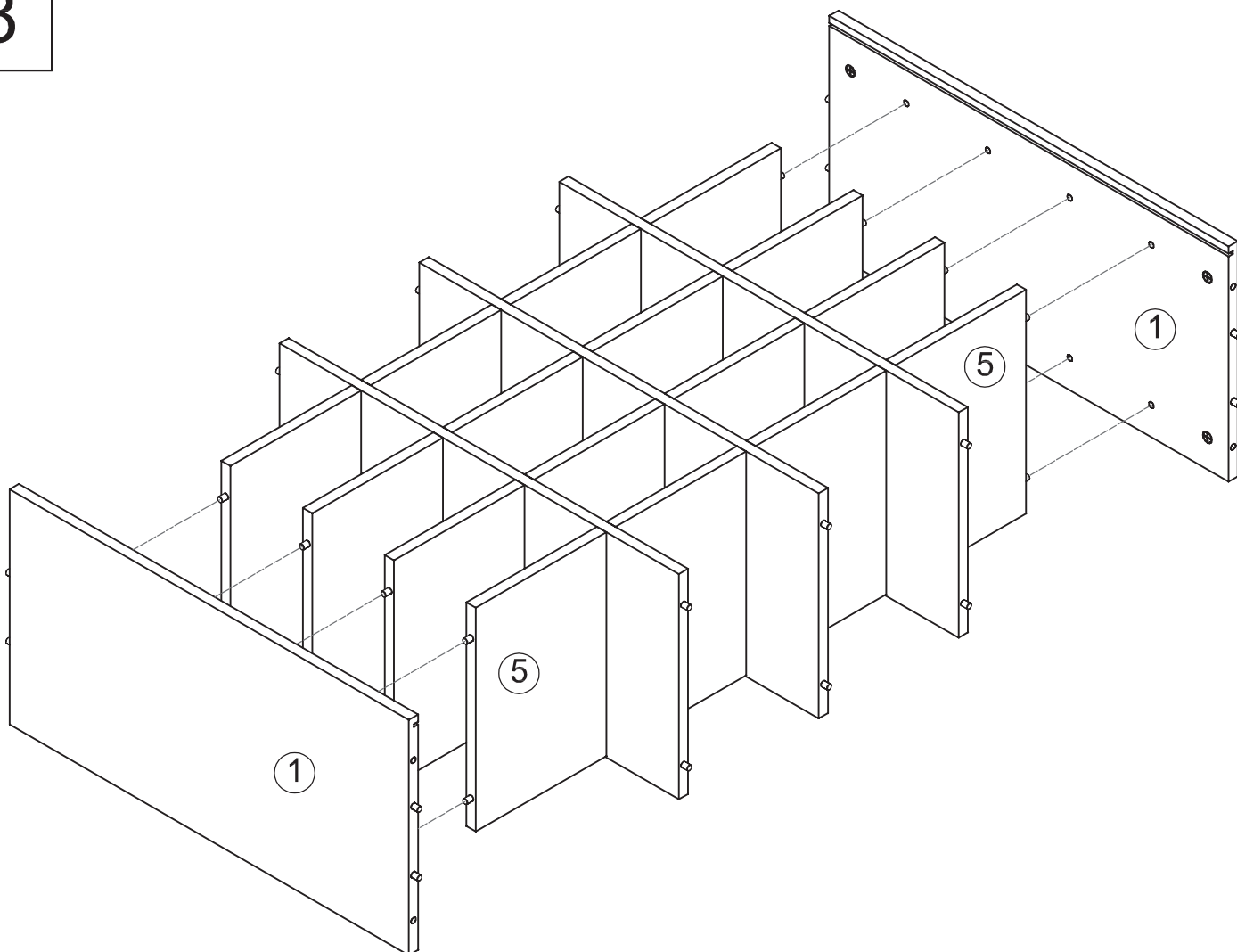
6



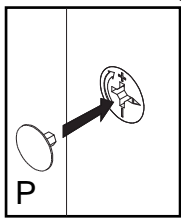
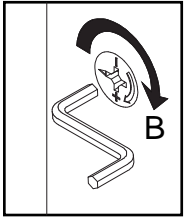
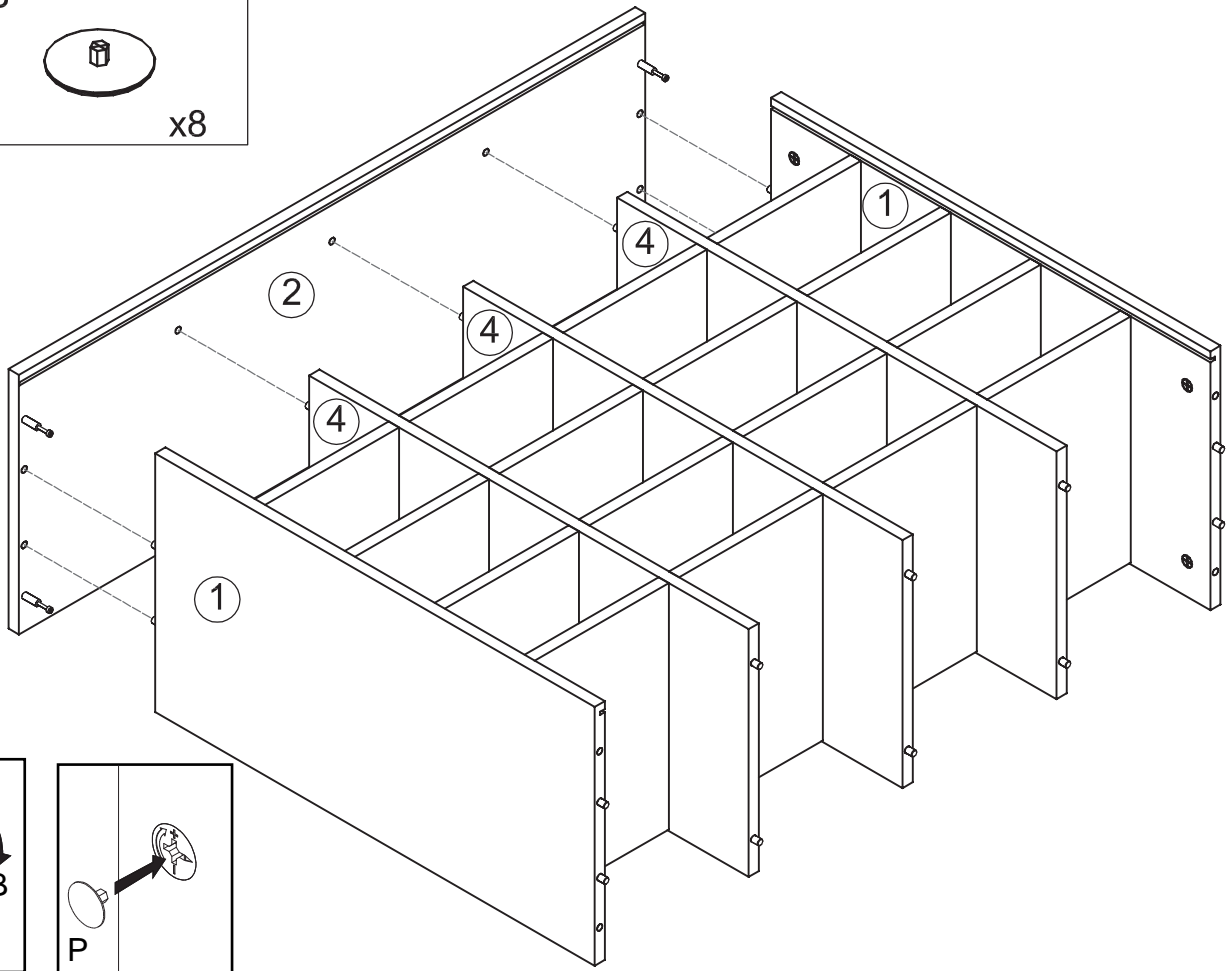
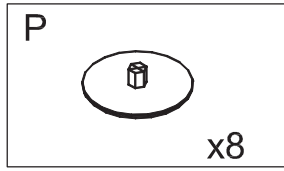
7



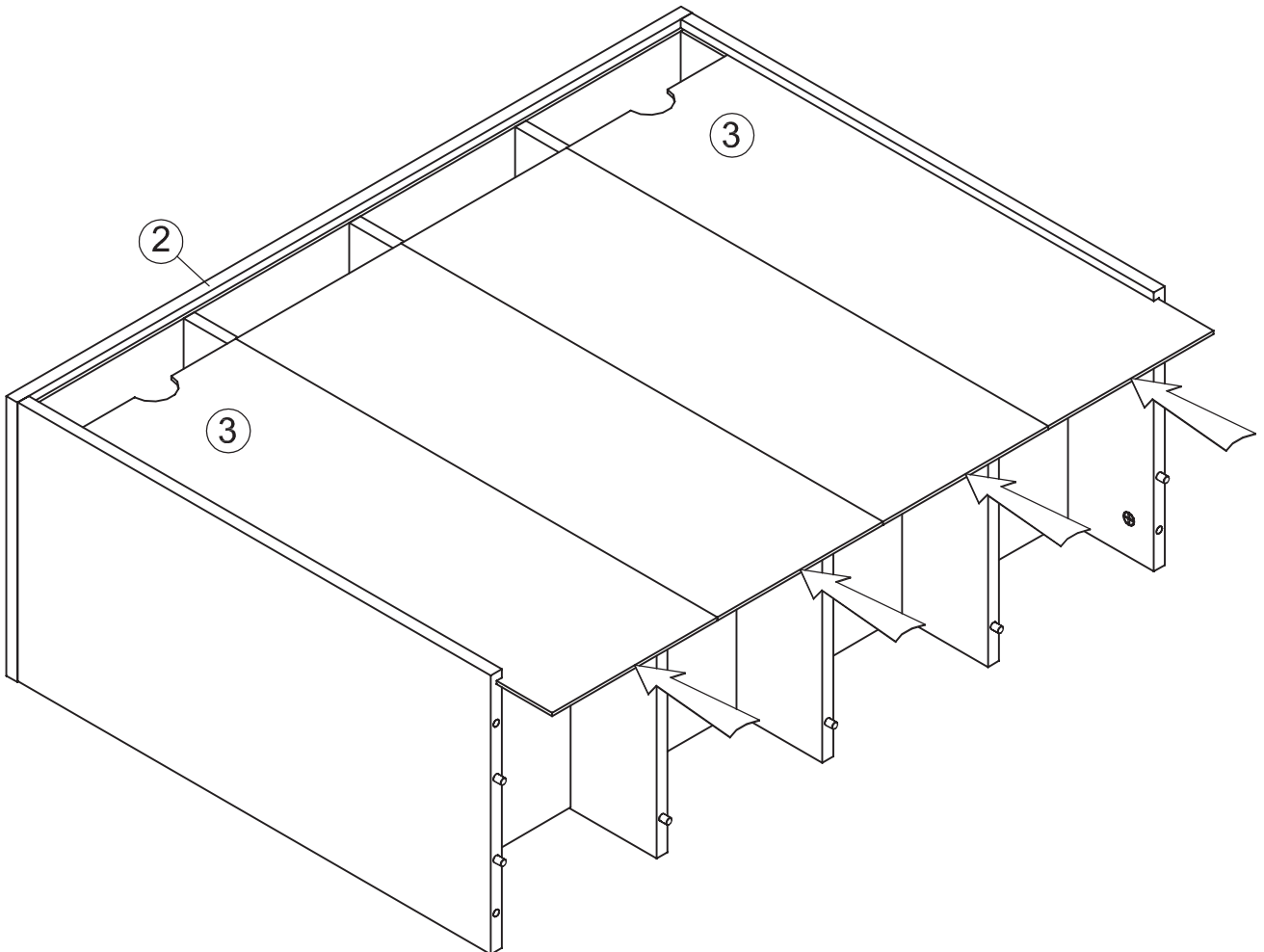
8



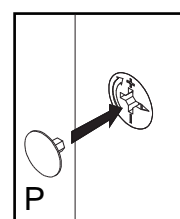
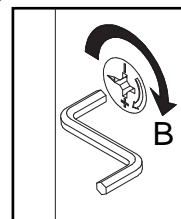
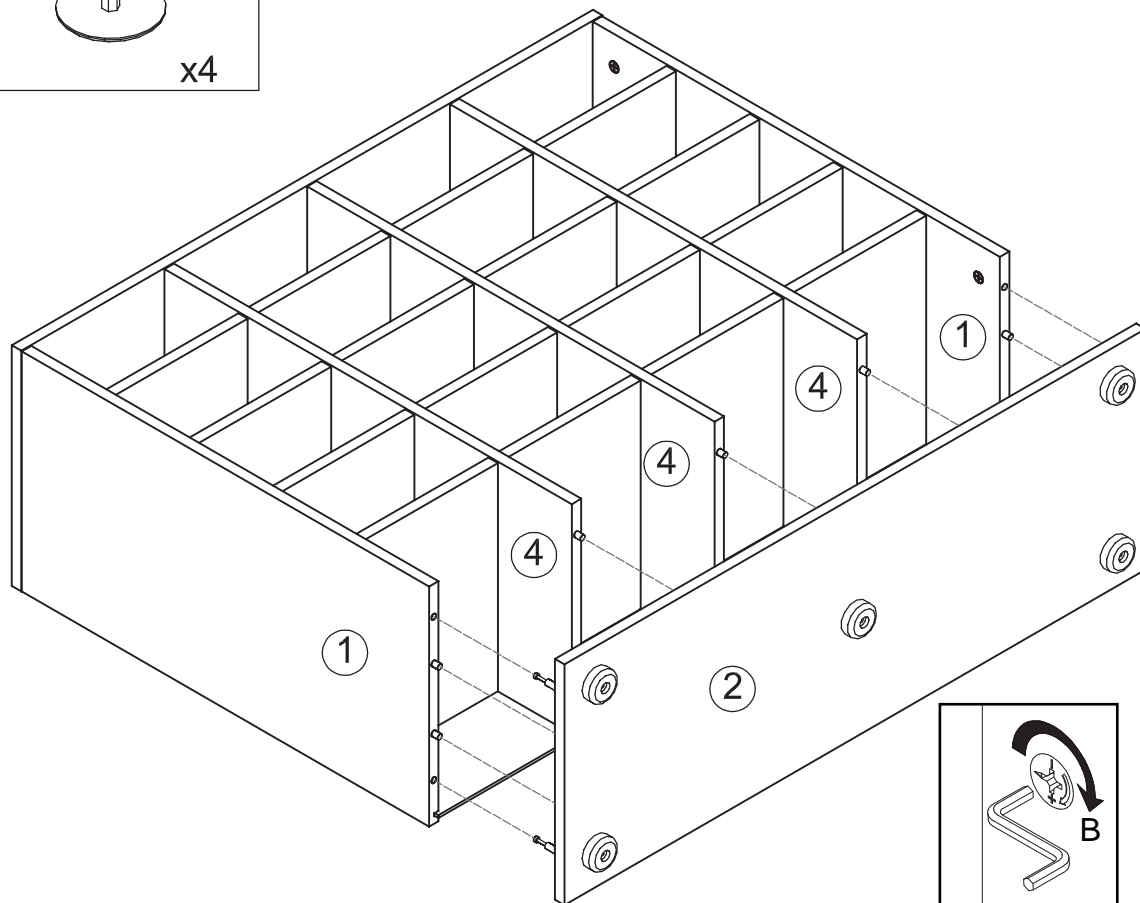
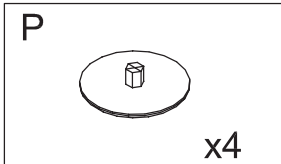
9



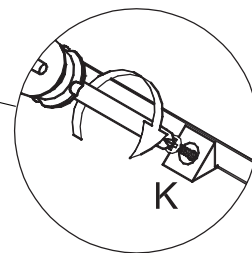
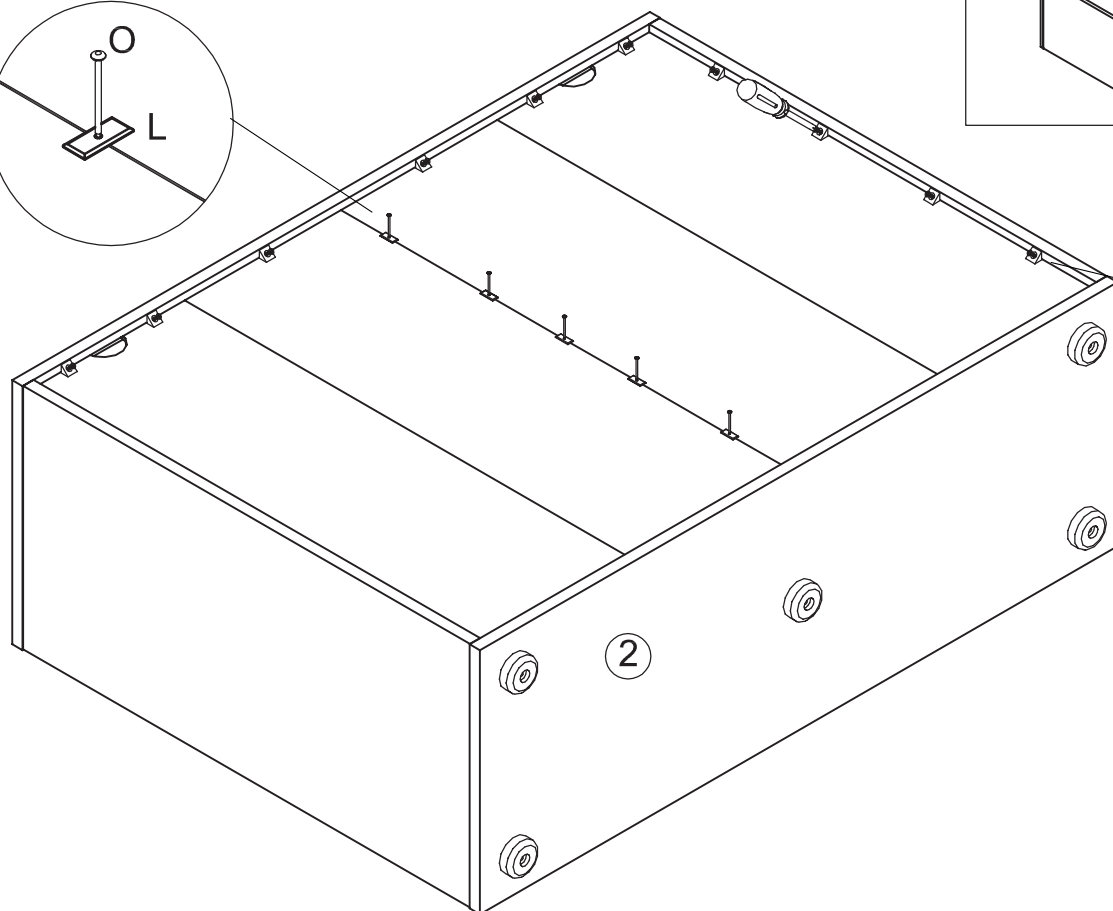
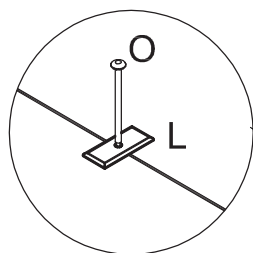
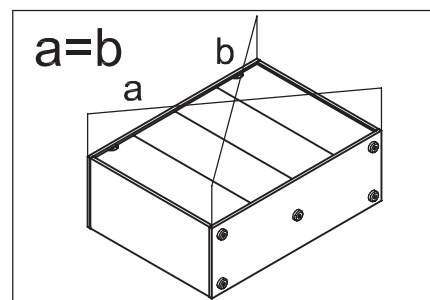
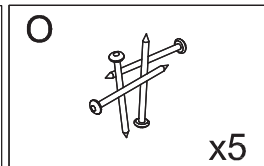
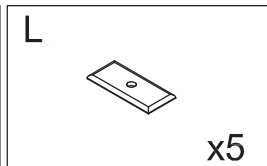
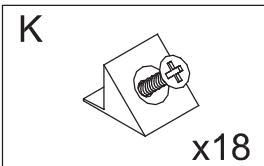
10



11



12





13

