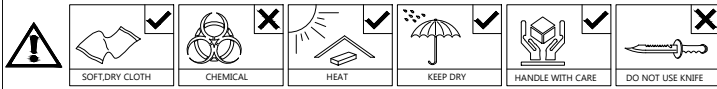


# ASSEMBLY INSTRUCTION

## BC 70102G-S5V - EUREKA GLASKAST/ARGENTIER/GLASS CABINET

- ~ Before assembly, please read the instructions ~
- ~ Keep these instructions for future reference ~
- ~ Follow these steps to assemble the product ~



### ALGEMENE ONDERHOUDSVOORSCHRIFTEN :

Om de tafelbladen te beschermen mogen geen hete pannen, kaarsen of andere hete glazen op het oppervlakte geplaatst worden, gebruik hiervoor een beschermende onderligger.

Reinigen van oppervlaktes : met licht vochtige doek of zeemvel reinigen en direct droog wrijven. Zeker geen vocht laten staan op de oppervlaktes.

Gebruik van ruwe materialen zoals schuurpons, schuurmiddelen, chemische producten zoals verdunners ammoniak of boenwas zijn niet toegelaten.

Ook geen siliconen houdende producten aanwenden zoals pledge enz.

Garantie : Indien bovenstaande voorschriften niet gevolgd worden vervalt de garantie.

### INFORMATION GENERALE D'ENTRETIEN :

Pour la protection de la surface des tables et autres éviter de mettre des casseroles chaudes ainsi que des bougies ou verres chaudes (thé) sur la surface sans protection.

L'entretien des surfaces : Utilisez un chiffon légèrement humide et séchez aussitôt. Jamais laisser des liquides sur les surfaces, les meubles ne sont pas adaptés pour un emplacement dans des pièces humides.

Des éponges abrasives, tout produits chimiques : ammoniac, détergent, diluant; ou cirage et produits d'entretien comme Pledge sont interdit.

Garantie : La garantie expire si les prescriptions d'entretien générale ne sont pas respecter.

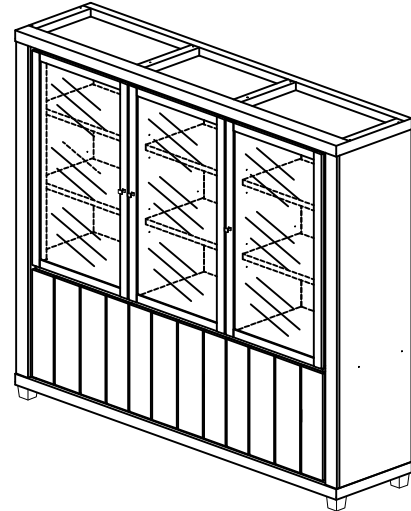
### MAINTENANCE PRESCRIPTIONS :

To protect the table tops never put hot items on these surfaces.

Clean with a slightly wet cloth and wipe dry immediately. Never let water or other wet items on the table tops, this furniture is not suitable for wet locations.

Do not use solvent, thinner, or other chemical products to clean.

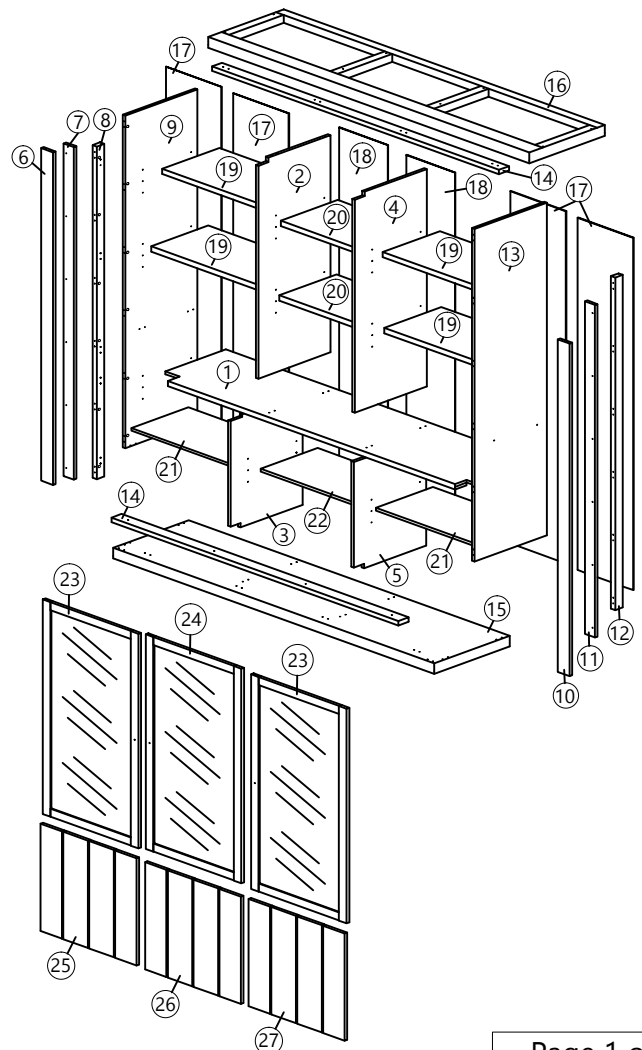
Warranty : Expires if above prescriptions are not respected.



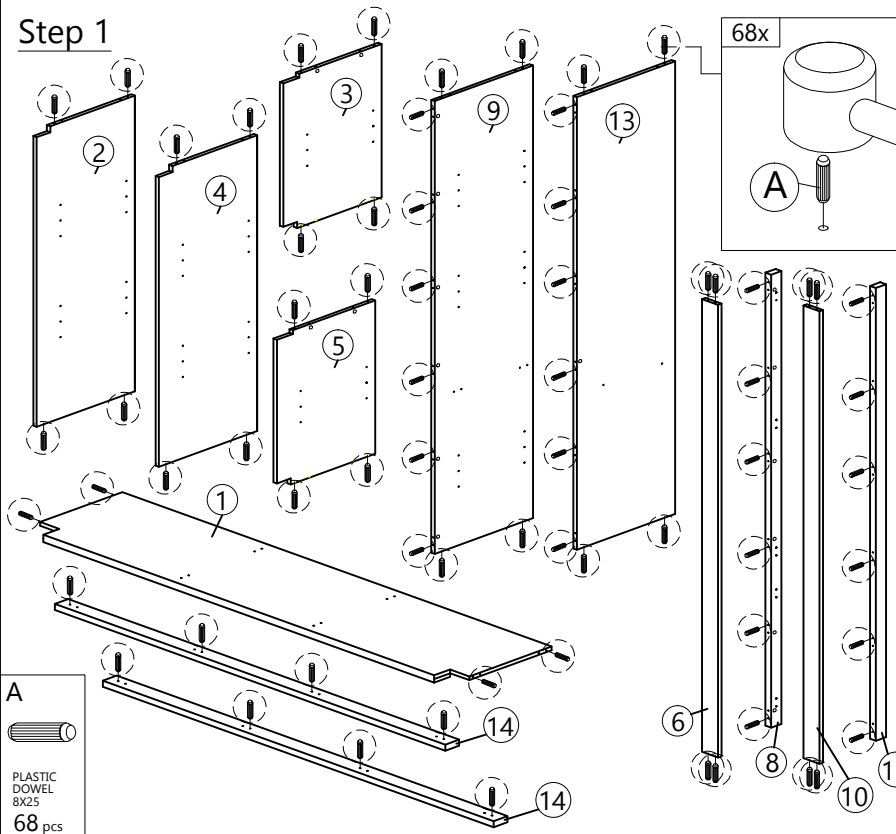
### HARDWARE LIST

<b>A</b>  PLASTIC DOWEL 8X25 68pcs	<b>B</b>  CB SCREW M3.5X16 72pcs	<b>C</b>  CB SCREW M4X30 12pcs	<b>D</b>  CB SCREW M4.5X45 12pcs	<b>E</b>  CSK CAP M6X40 8pcs	<b>F</b>  CSK CAP M6X50 8pcs	
<b>G</b>  CSK CAP M6X90 16pcs	<b>H1</b>  MINIFIX 5654 (HOUSING) 28pcs	<b>H2</b>  MINIFIX 5654 (SCREW) 28pcs	<b>I</b>  METAL SHELF SUPPORT 36pcs	<b>J</b>  CAP (GREY OAK) 28pcs	<b>K</b>  POWER NAIL 5/8" 132pcs	
<b>L1</b>  METAL SQUARE HANDLE (BLACK) 3pcs	<b>L2</b>  HANDLE SCREW M4X22 3pcs	<b>M1</b>  MAGNET WASHER 3pcs	<b>M2</b>  MAGNET SCREW 3pcs	<b>M3</b>  MAGNET PLATE 3pcs	<b>M4</b>  PUSH MAGNET 3pcs	<b>N</b>  ALLEN KEY 1pc
<b>O</b>  SOFA LEG (H70mm) -BLACK 6pcs	<b>P</b>  HINGES 5/8" SMALL 6pcs	<b>Q</b>  HINGES 5/8" SMALL 3pcs	<b>R</b>  HINGES 5/8" BIG 4pcs	<b>S</b>  HINGES 5/8" BIG 2pcs		

### PART LIST

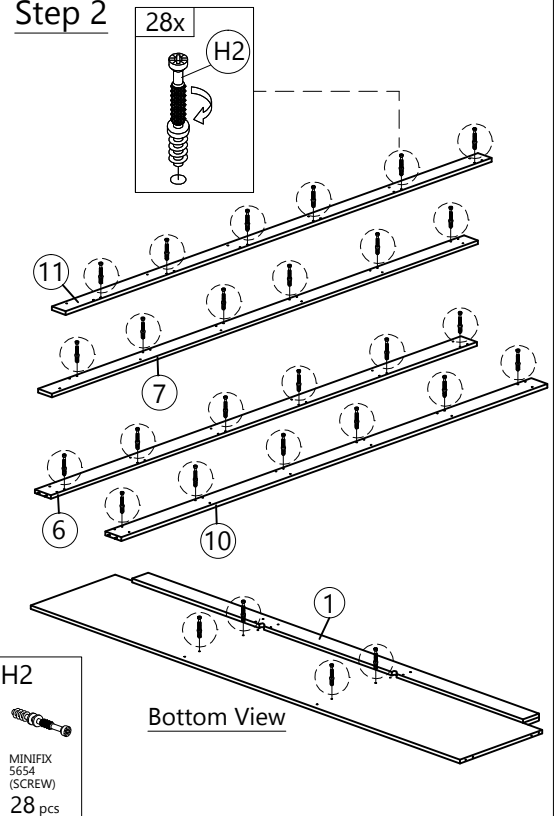


### Step 1



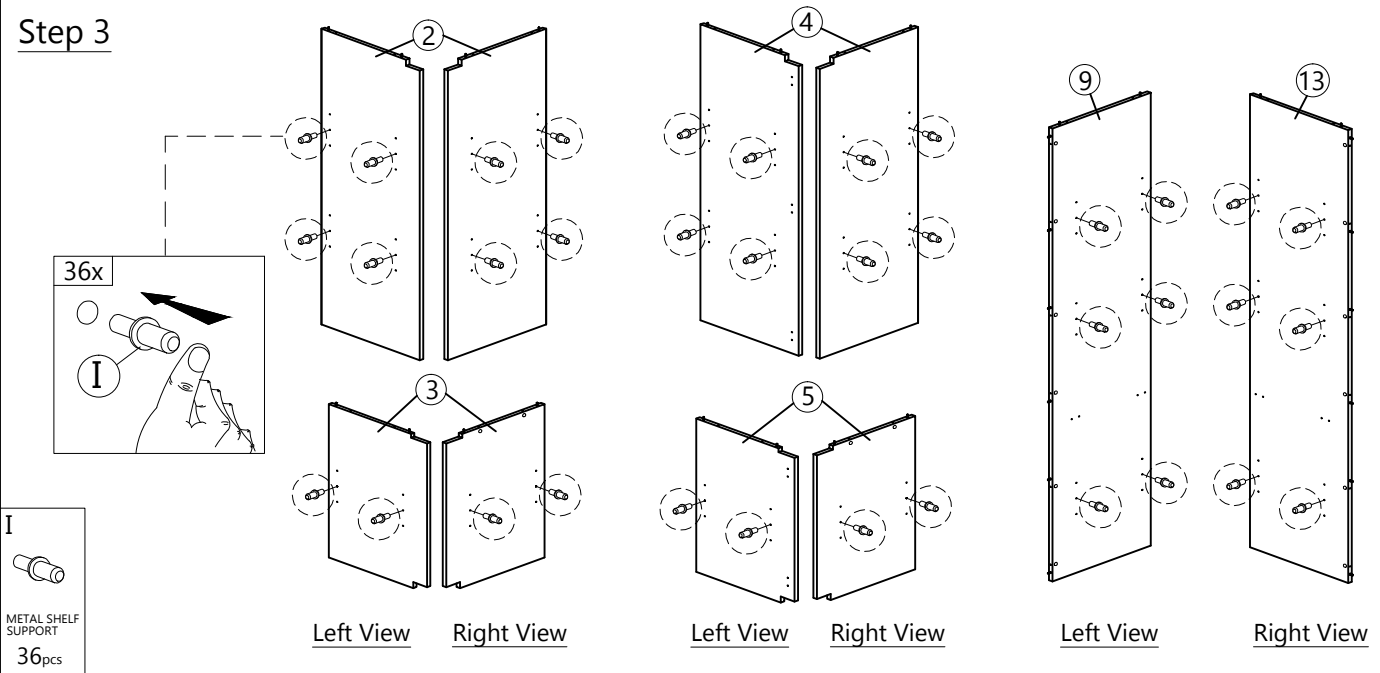
**A**  
  
 PLASTIC DOWEL  
 8X25  
 68 pcs

### Step 2



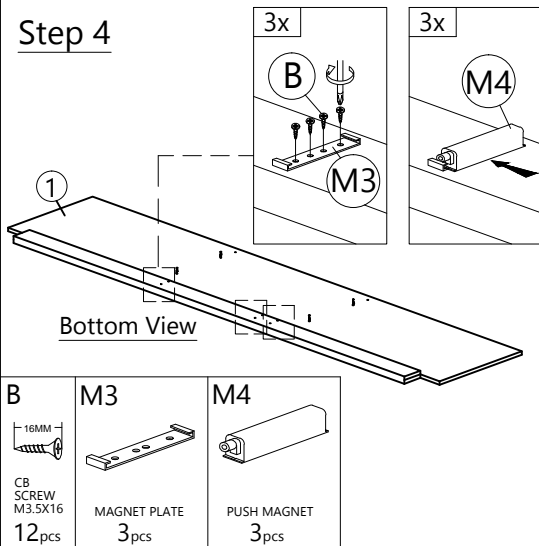
**H2**  
  
 MINIFIX  
 5654  
 (SCREW)  
 28 pcs




### Step 3



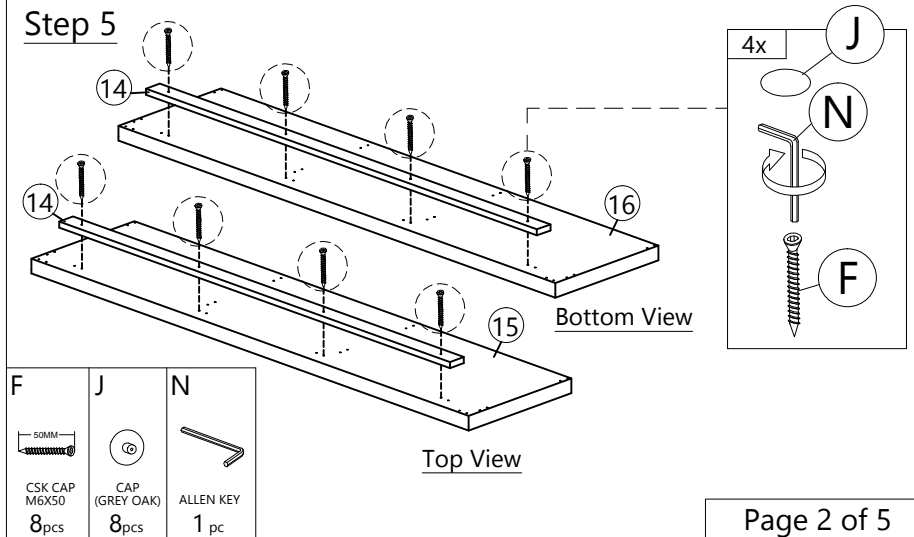
**I**  
  
 METAL SHELF  
 SUPPORT  
 36 pcs




### Step 4







<b>B</b>  CB SCREW M3.5X16 12 pcs	<b>M3</b>  MAGNET PLATE 3 pcs	<b>M4</b>  PUSH MAGNET 3 pcs
---	---	--

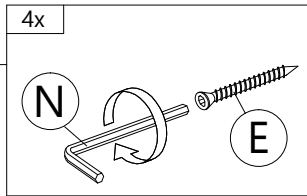
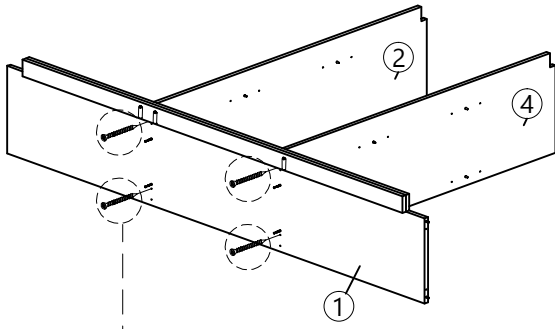
### Step 5



<b>F</b>  CSK CAP M6X50 8 pcs	<b>J</b>  CAP (GREY OAK) 8 pcs	<b>N</b>  ALLEN KEY 1 pc
--	---	--

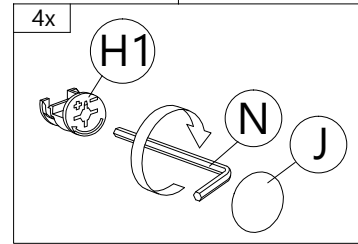
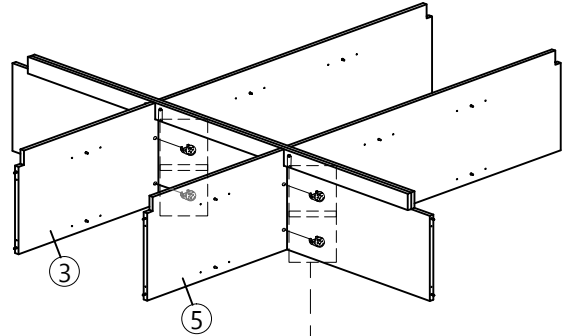
**4x**  
  
**J**  
  
**N**  
  
**F**  


### Step 6



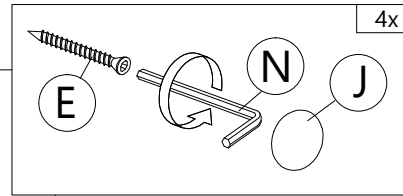
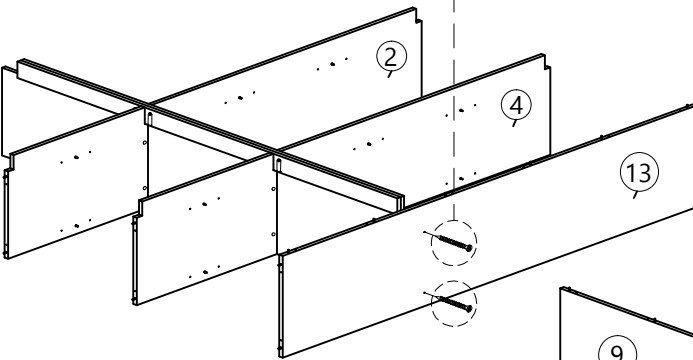
<b>E</b>	<b>N</b>
CSK CAP M6X40 4pcs	ALLEN KEY 1 pc

### Step 7

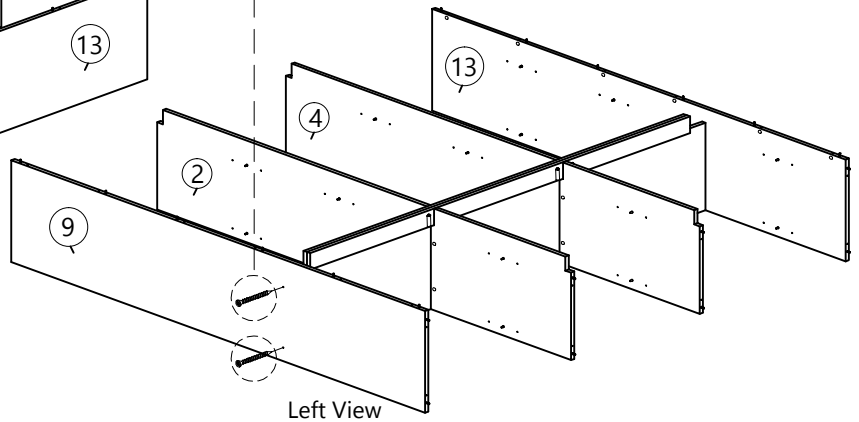


<b>H1</b>	<b>J</b>	<b>N</b>
MINIFIX 5654 (HOUSING) 4pcs	CAP (GREY OAK) 4pcs	ALLEN KEY 1 pc

### Step 8



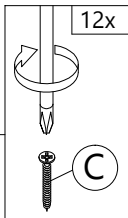
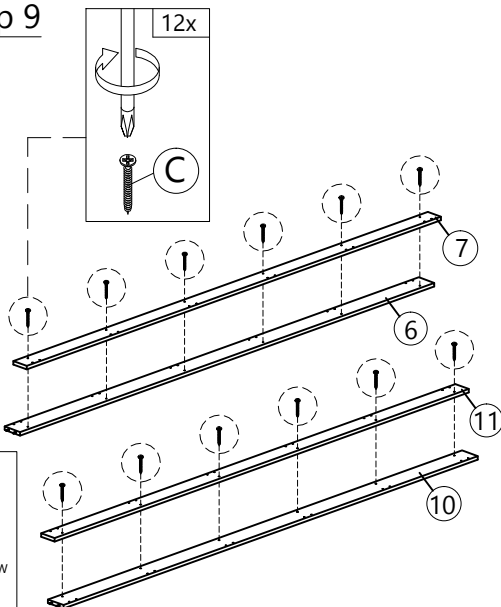
Right View



Left View

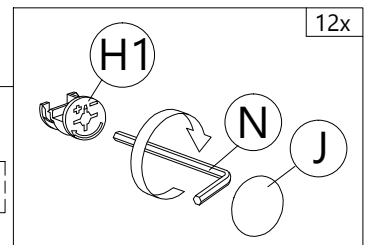
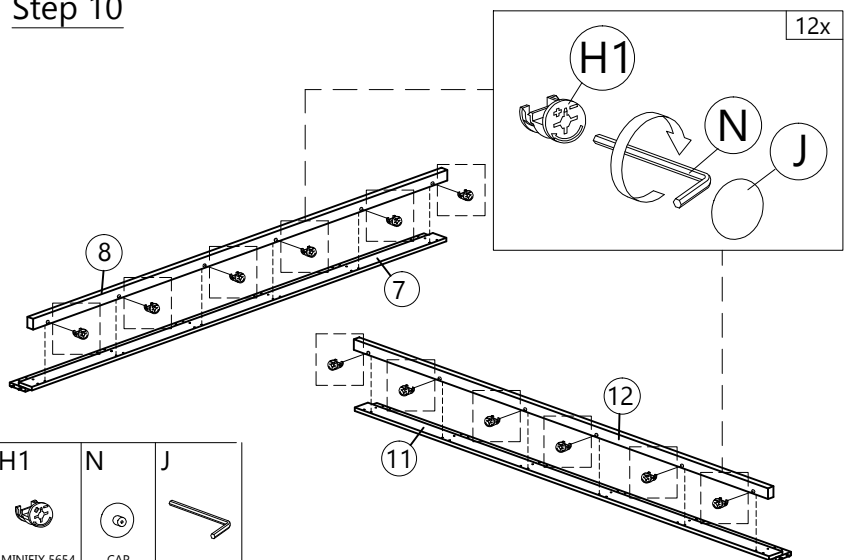
<b>E</b>	<b>N</b>	<b>J</b>
CSK CAP M6X40 4pcs	ALLEN KEY 1 pc	CAP (GREY OAK) 4pcs

### Step 9



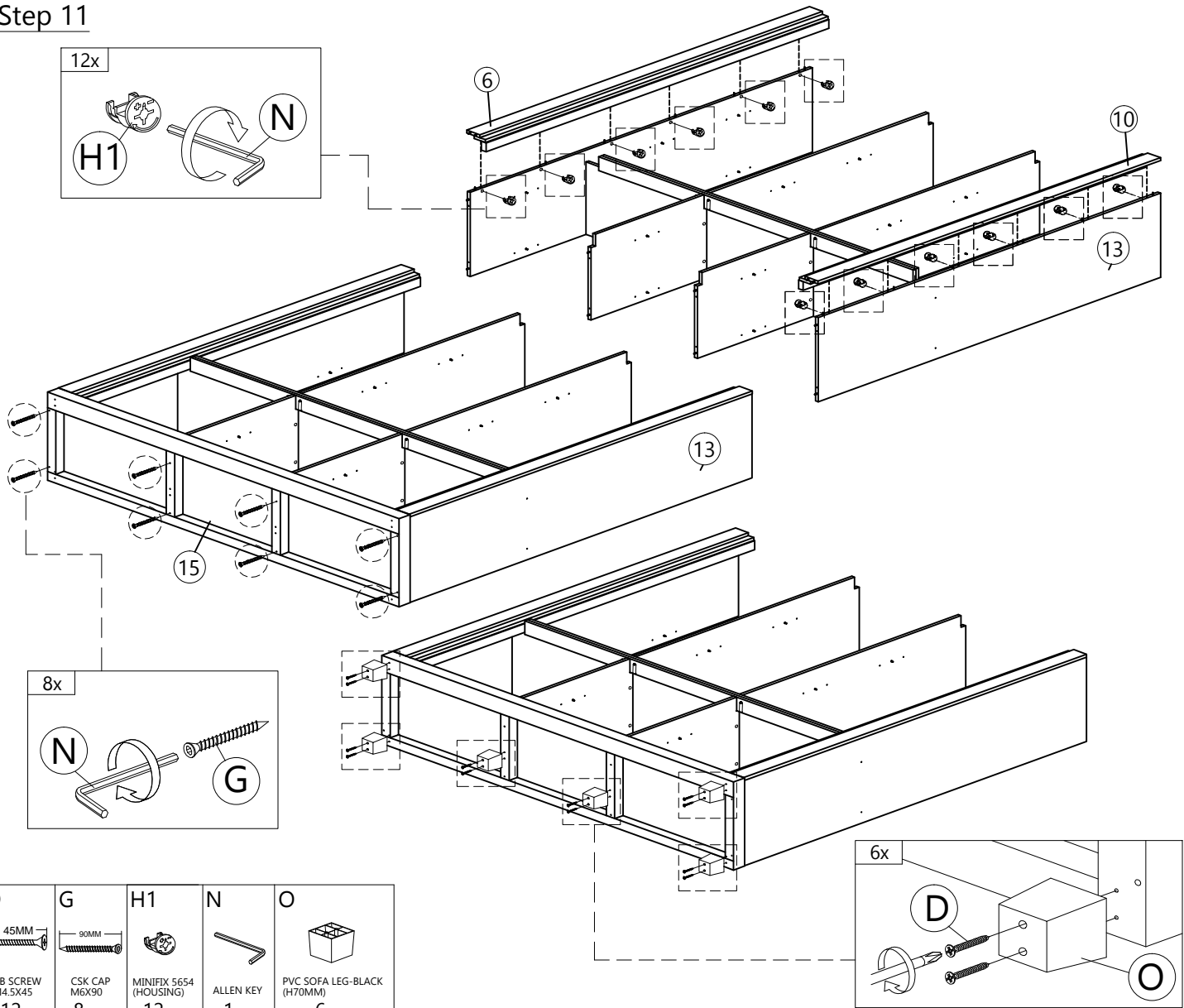
<b>C</b>
CB SCREW M4X30 12pcs

### Step 10



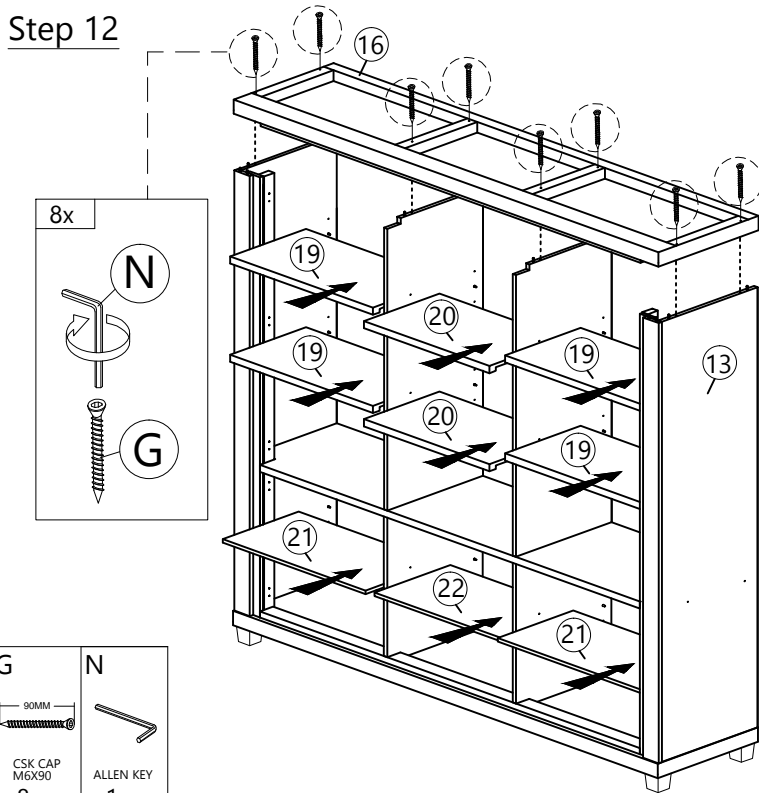
<b>H1</b>	<b>N</b>	<b>J</b>
MINIFIX 5654 (HOUSING) 12pcs	CAP (GREY OAK) 12pcs	ALLEN KEY 1 pc

# Step 11



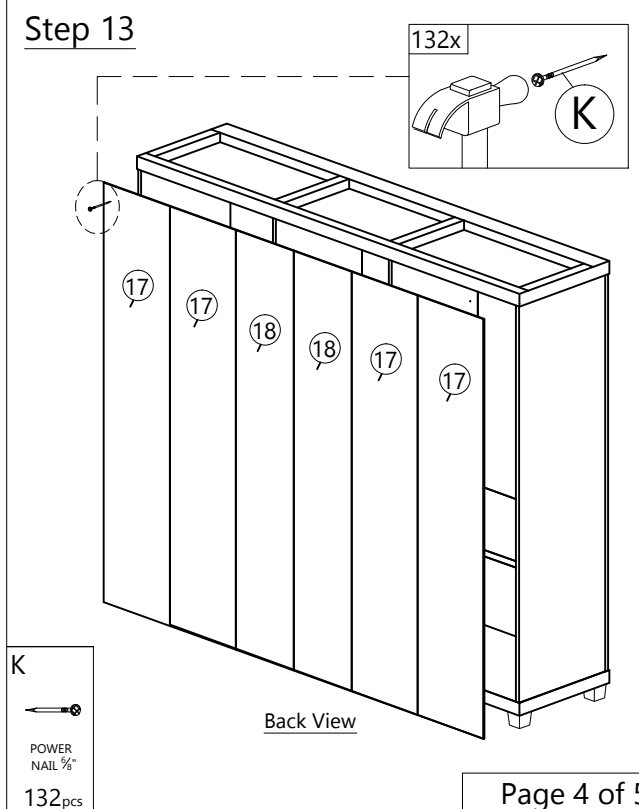
<b>D</b> 45MM CB SCREW M4.5X45 12pcs	<b>G</b> 90MM CSK CAP M6X90 8pcs	<b>H1</b> MINIFIX 5654 (HOUSING) 12pcs	<b>N</b> ALLEN KEY 1 pc	<b>O</b> PVC SOFA LEG-BLACK (H70MM) 6pcs
--	--	---	-------------------------------	---

# Step 12



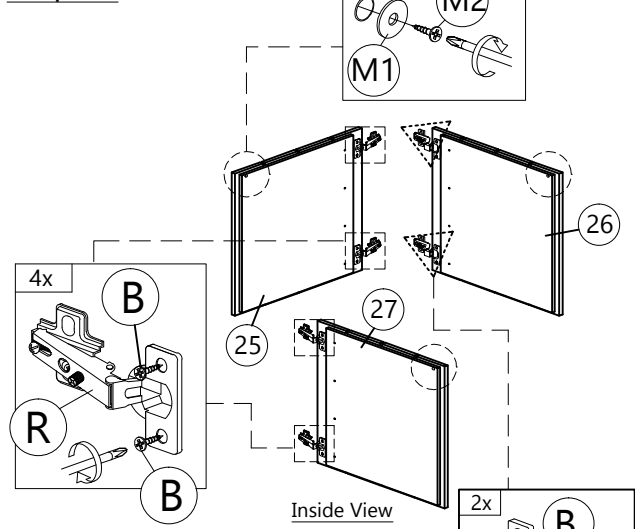
<b>G</b> 90MM CSK CAP M6X90 8pcs	<b>N</b> ALLEN KEY 1 pc
--	-------------------------------

# Step 13

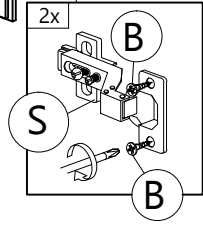


<b>K</b> POWER NAIL 1/2" 132pcs
---------------------------------------

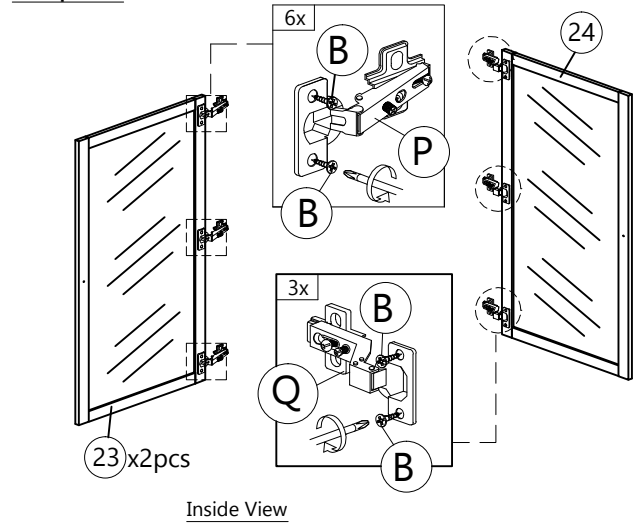
### Step 14



<b>B</b> 16MM CB SCREW M3.5X16 12 pcs	<b>M1</b> MAGNET WASHER 3 pcs	<b>M2</b> MAGNET SCREW 3 pcs	<b>R</b> HINGES 5/8" (BIG) 4 pcs	<b>S</b> HINGES 5/8" (BIG) 2 pcs
---	--	---------------------------------------	---	---

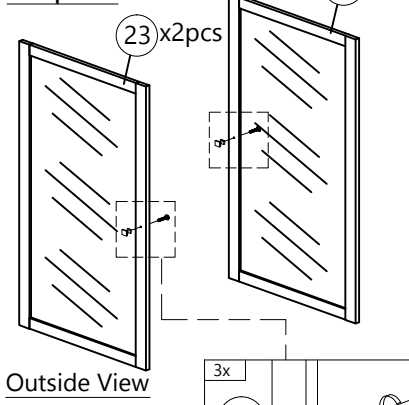


### Step 15



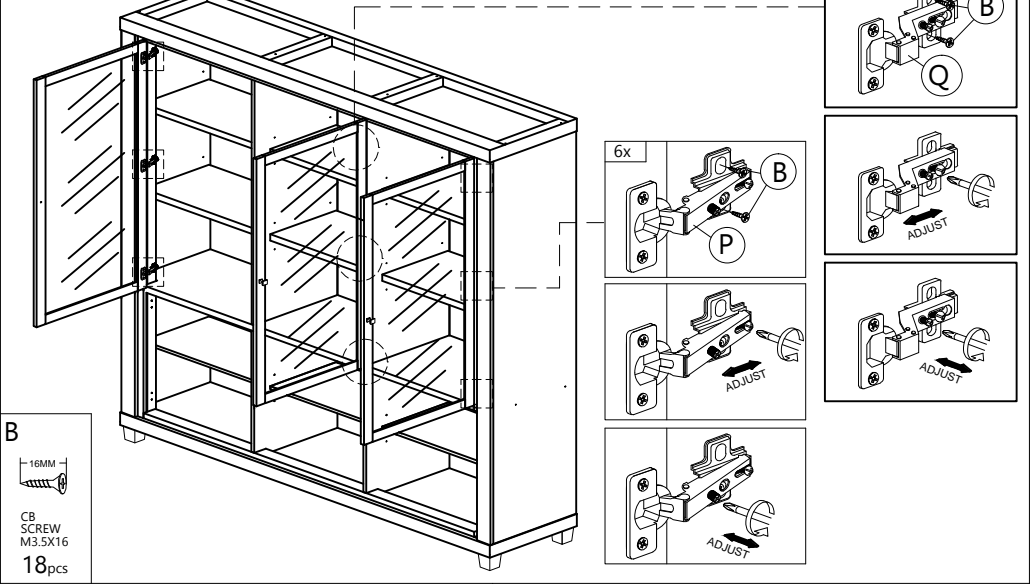
<b>B</b> 16MM CB SCREW M3.5X16 18 pcs	<b>P</b> HINGES 5/8" (SMALL) 6 pcs	<b>Q</b> HINGES 5/8" (SMALL) 3 pcs
---	---	---

### Step 16

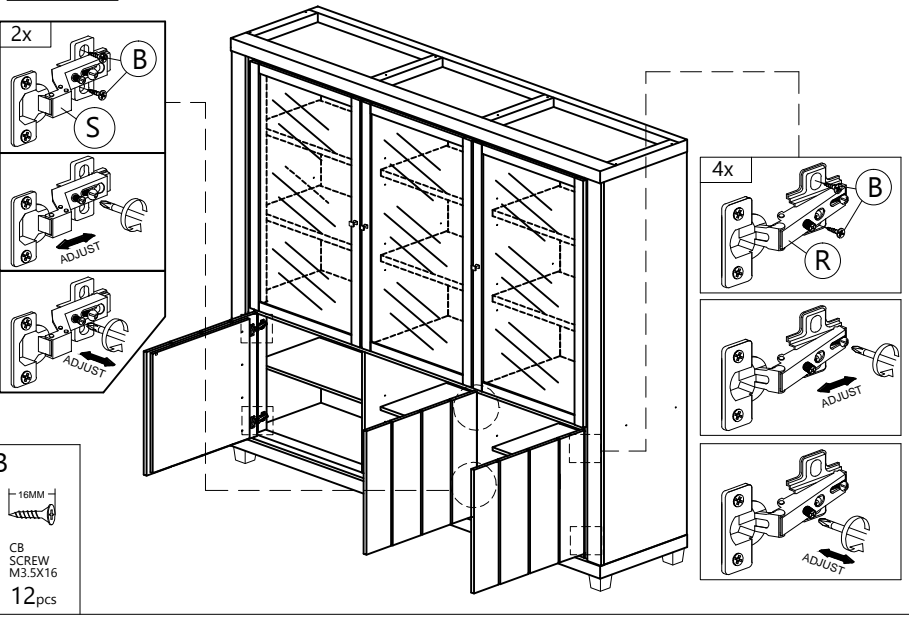


<b>L1</b> METAL SQUARE HANDLE (BLACK) 3 pcs	<b>L2</b> 12MM HANDLE SCREW M4X22 3 pcs
--	--

### Step 17



### Step 18



<b>B</b> 16MM CB SCREW M3.5X16 12 pcs
---

### Completed

