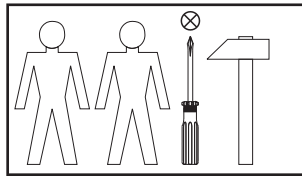
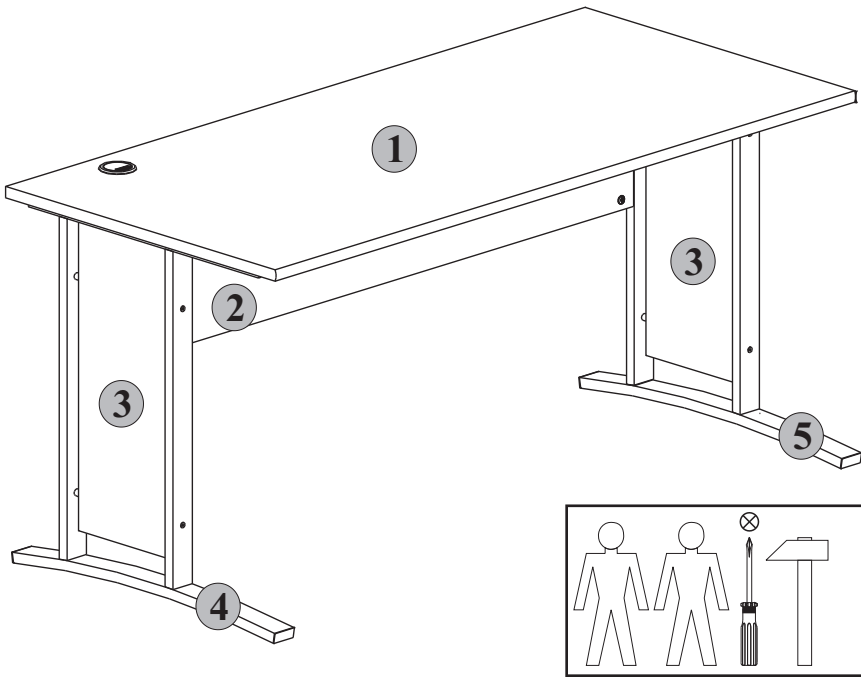
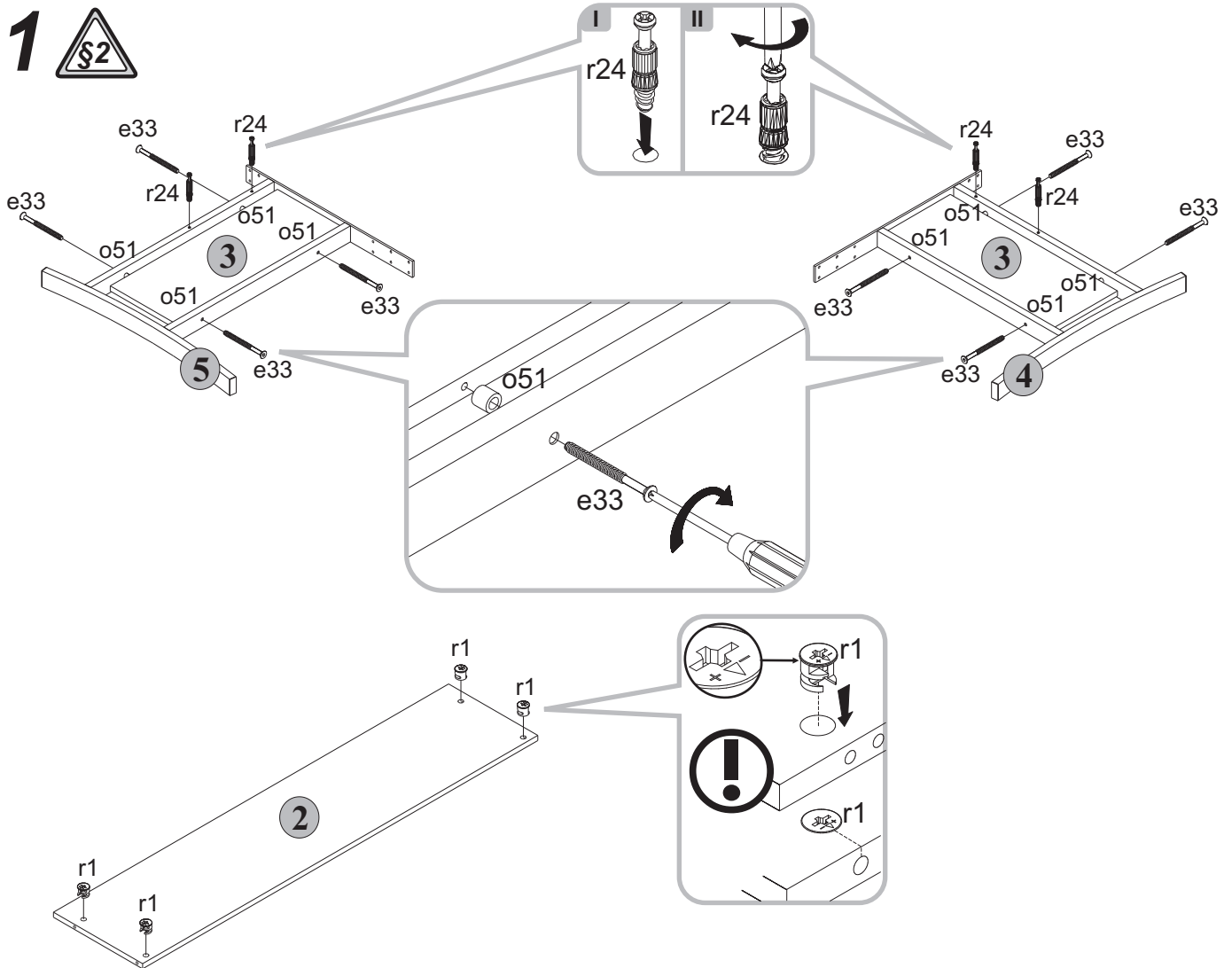
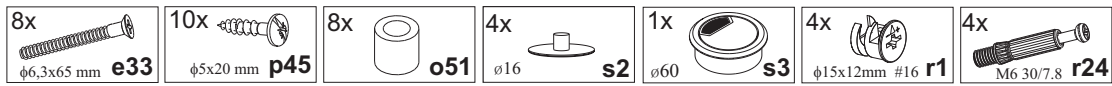


39-453
39-454

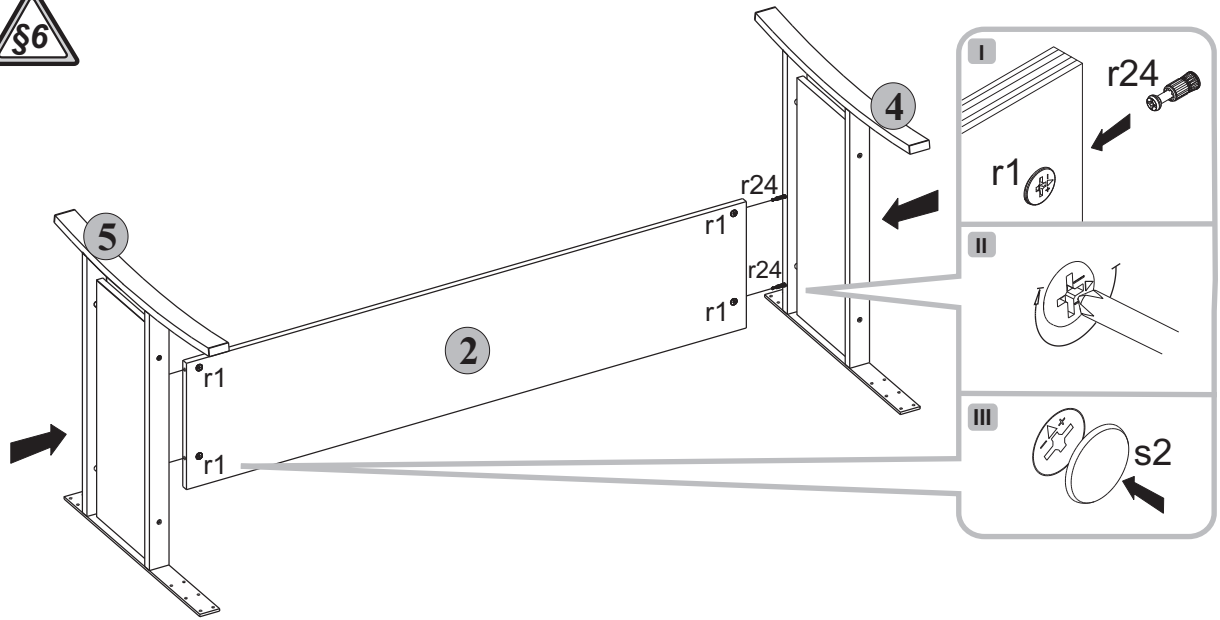
S19-BIU/150



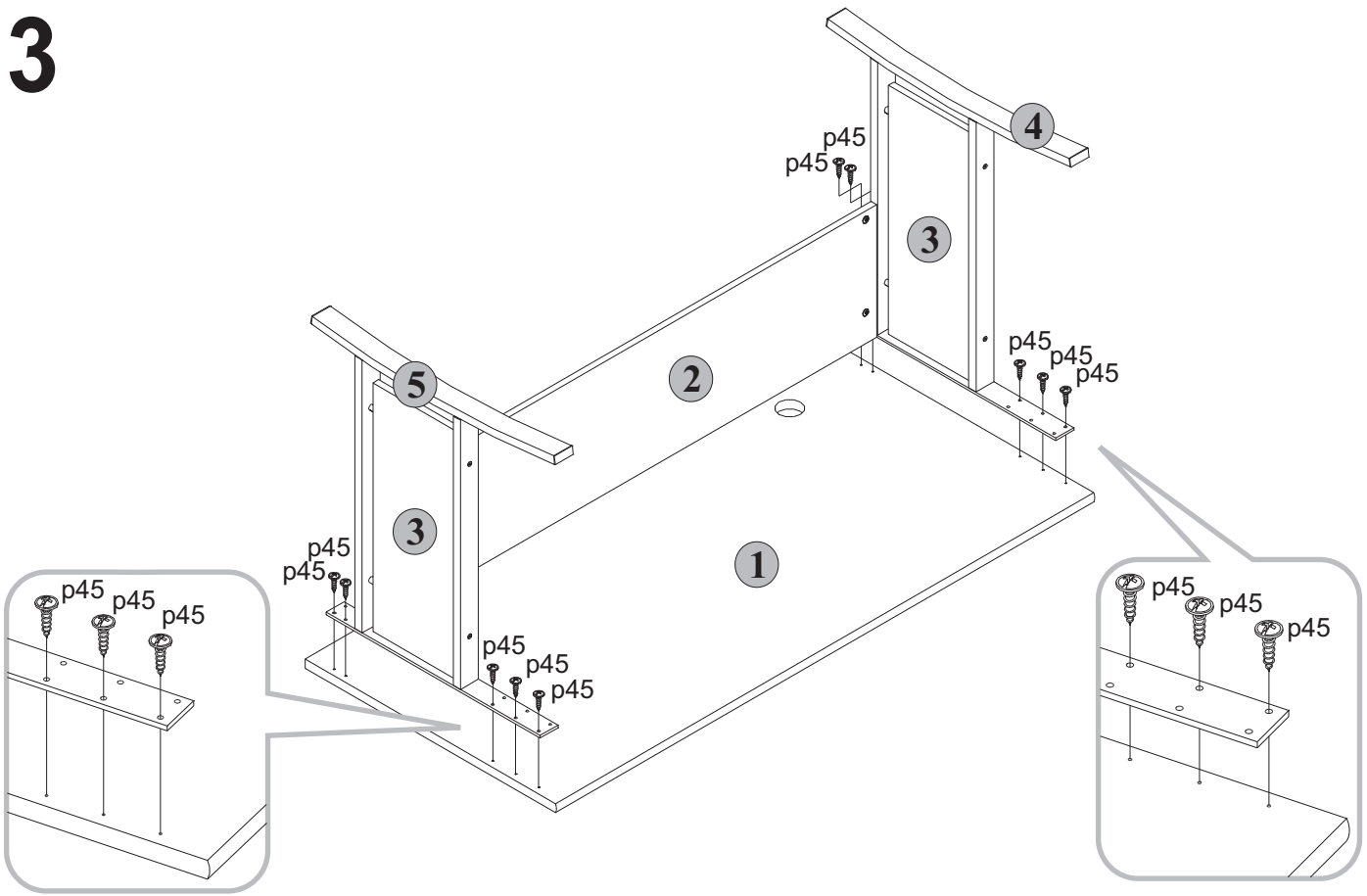
	A	B	C	D
1	S19-2067/A	1500x700	1/2	
2	S19-465	1386x320	1/2	
3	S19-459	600x228	1/2	
4	NZL/A	635x700	2/2	
5	NZP/A	635x700	2/2	



2



3



4

