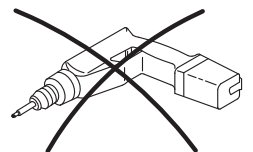
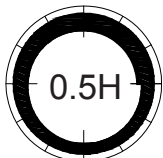
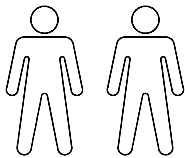
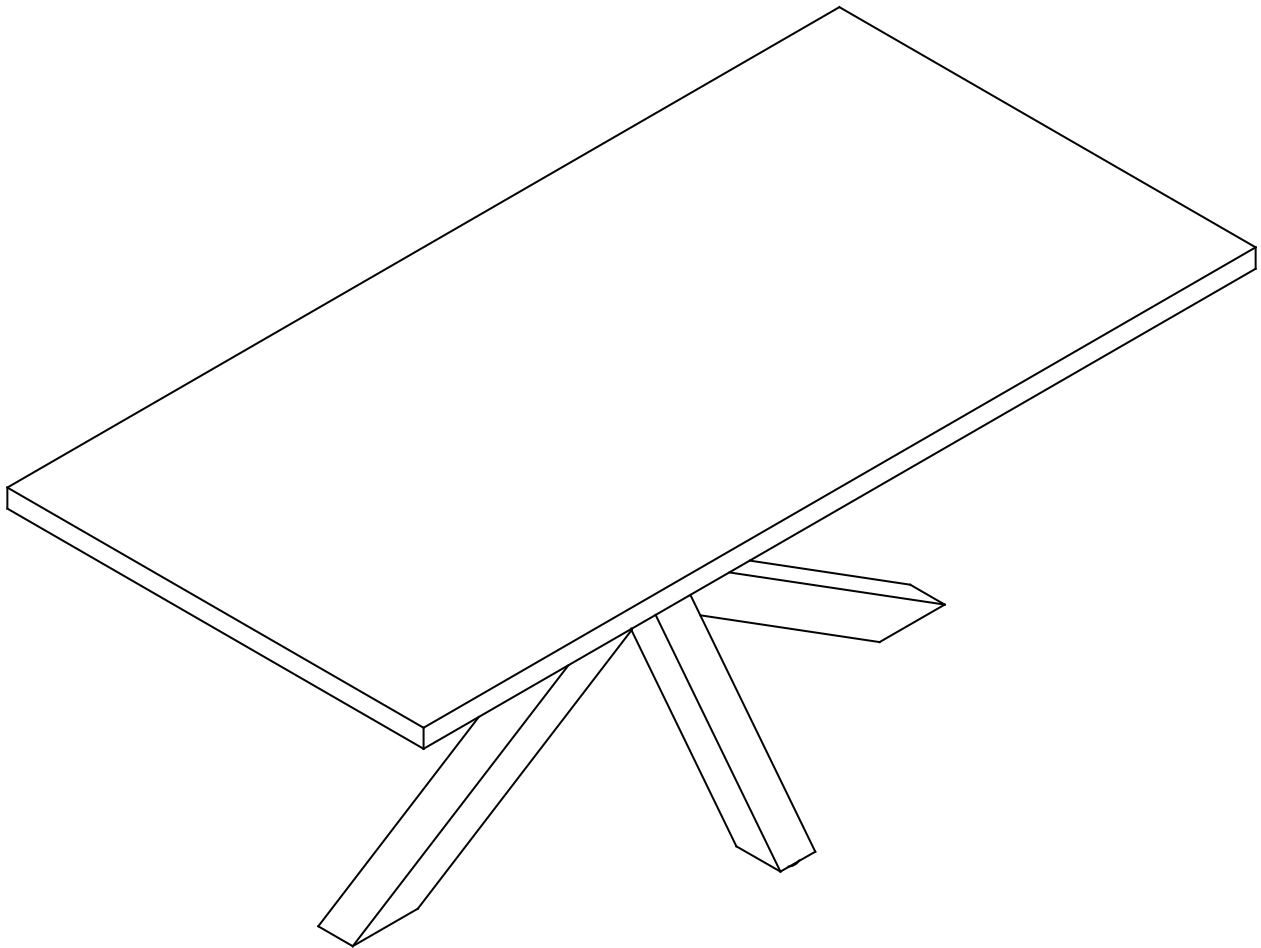
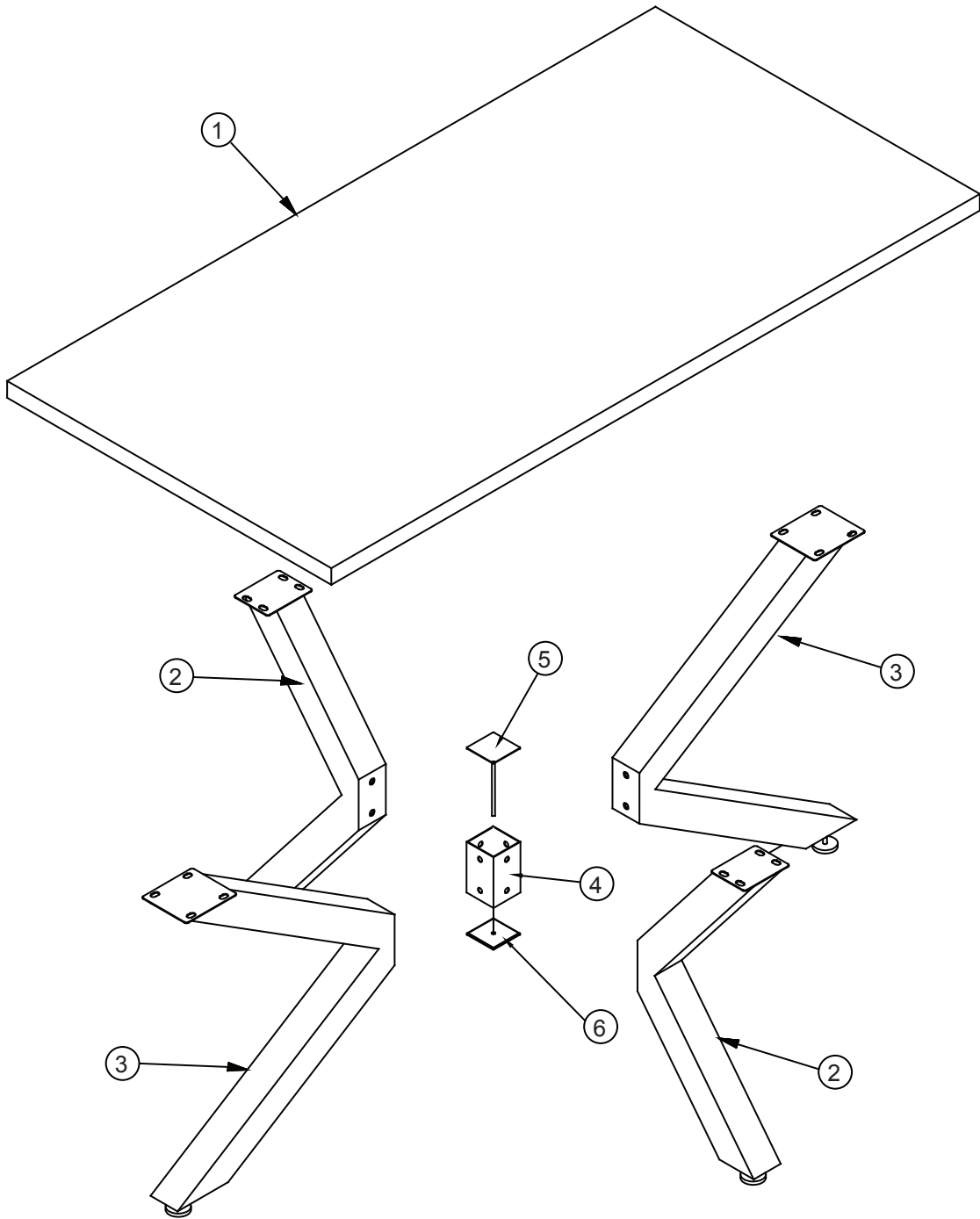

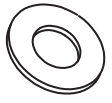



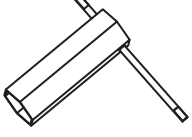



HEAVEN






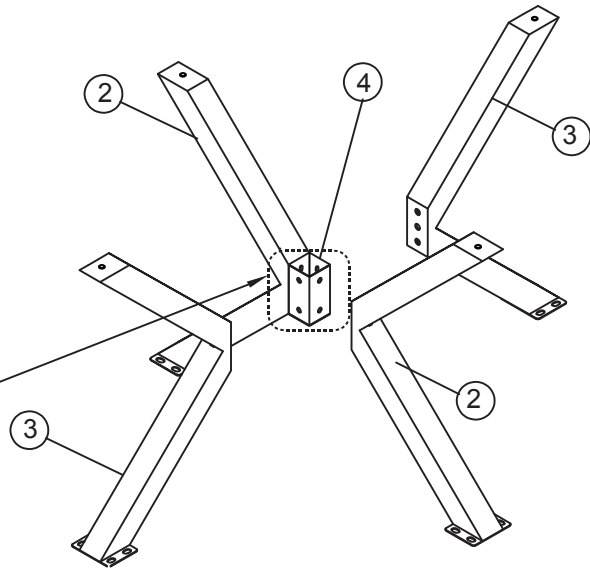
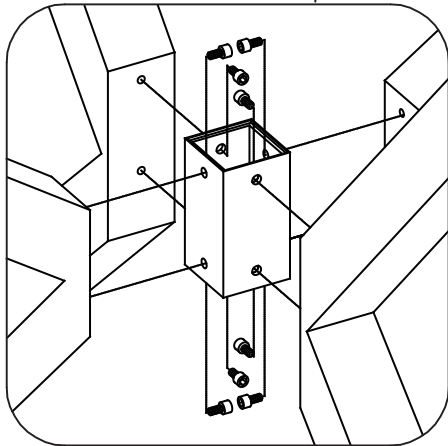
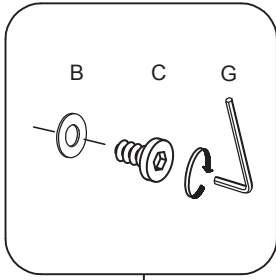
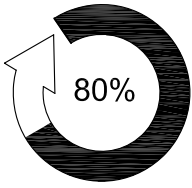
			✓
①	1	2200x900x38	
②	2	702x365x70	
③	2	702x965x70	
④	1	70x70x99	
⑤	1	69x69x115	
⑥	1	69x69x3	




<p>Ax16</p>  <p>M8 x25 mm</p>	<p>Bx25</p>  <p>Ø8/Ø16 mm</p>	<p>Cx8</p>  <p>M8x10 mm</p>	<p>Dx1</p>  <p>M8/14 mm</p>	<p>Ex4</p>  <p>M8/Ø50x16 mm</p>
<p>Fx1</p>  <p>14 mm</p>	<p>Gx1</p>  <p>5 mm</p>			

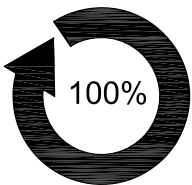
1

Cx8  M8x10 mm	Bx8  Ø8/Ø16 mm	Gx1  5 mm
------------------------------------------------------------------------------------------------------	-------------------------------------------------------------------------------------------------------	--------------------------------------------------------------------------------------------------

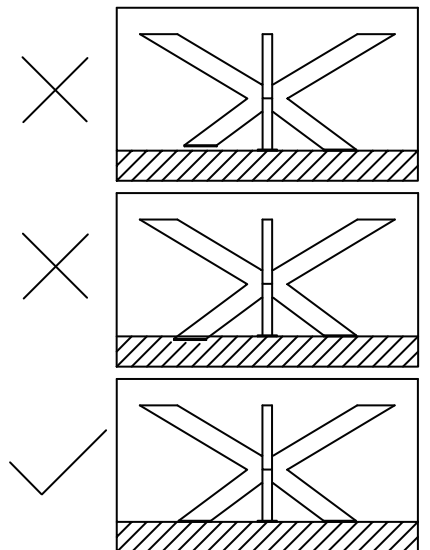
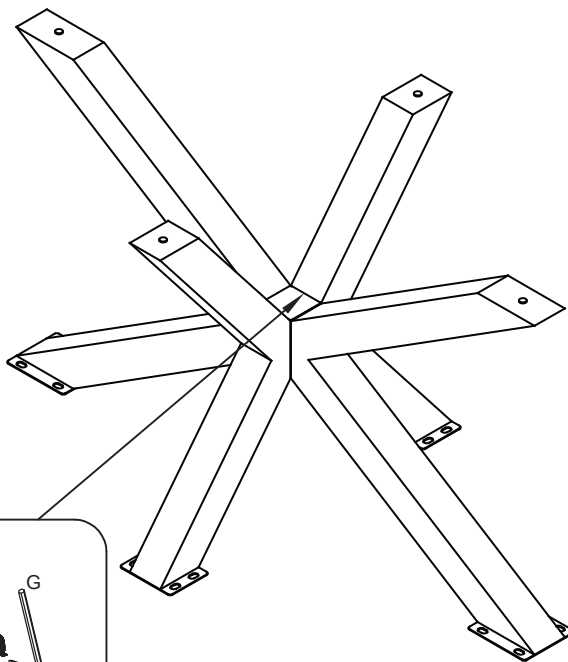
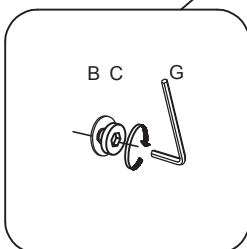


2



Gx1  5 mm

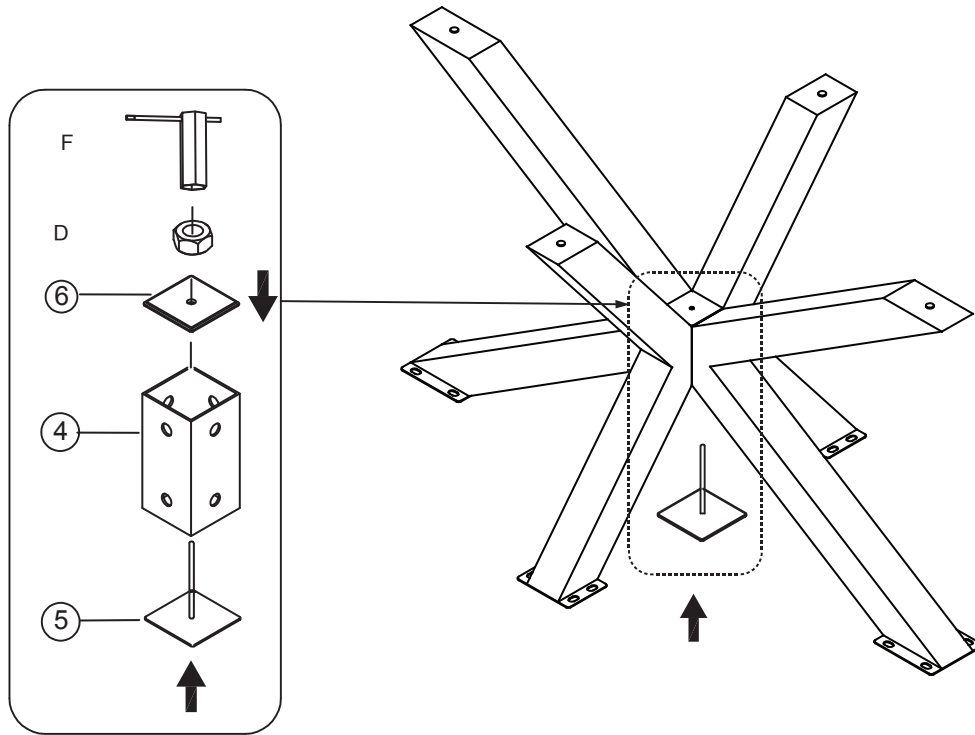


x8






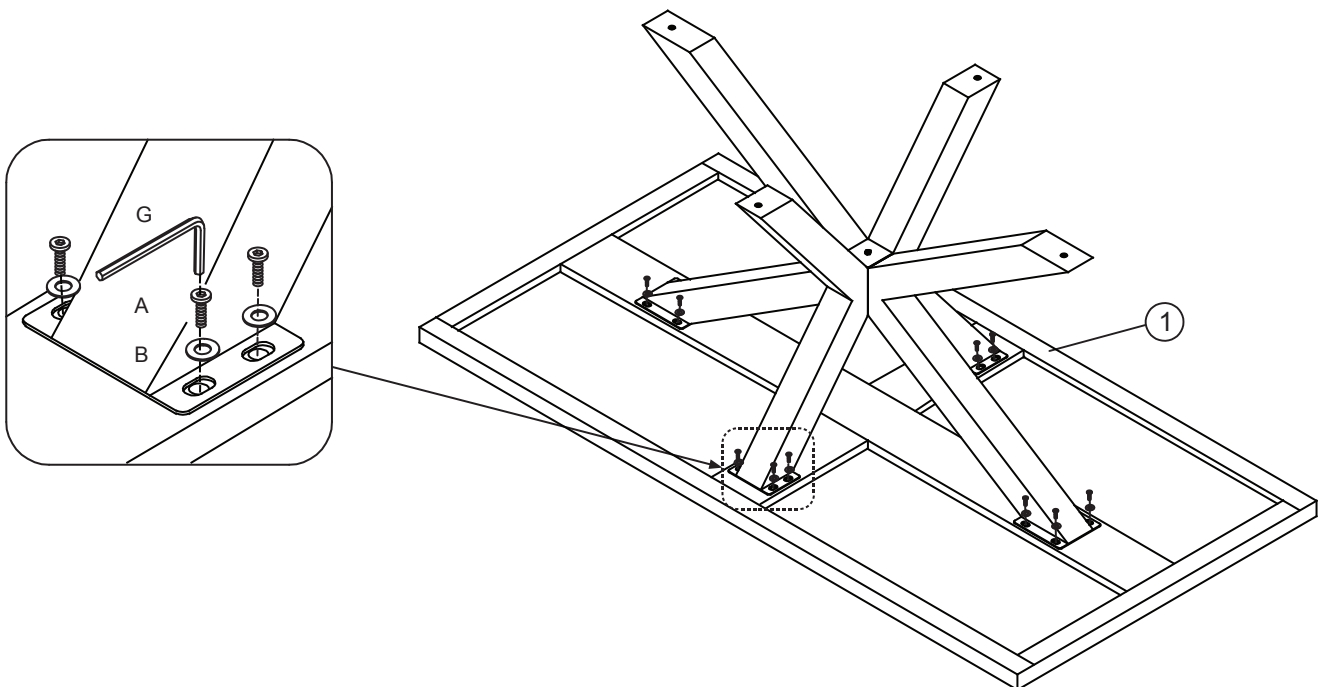
3

Dx1  M8/14 mm	Fx1  14 mm
------------------------------------------------------------------------------------------------------	---------------------------------------------------------------------------------------------------

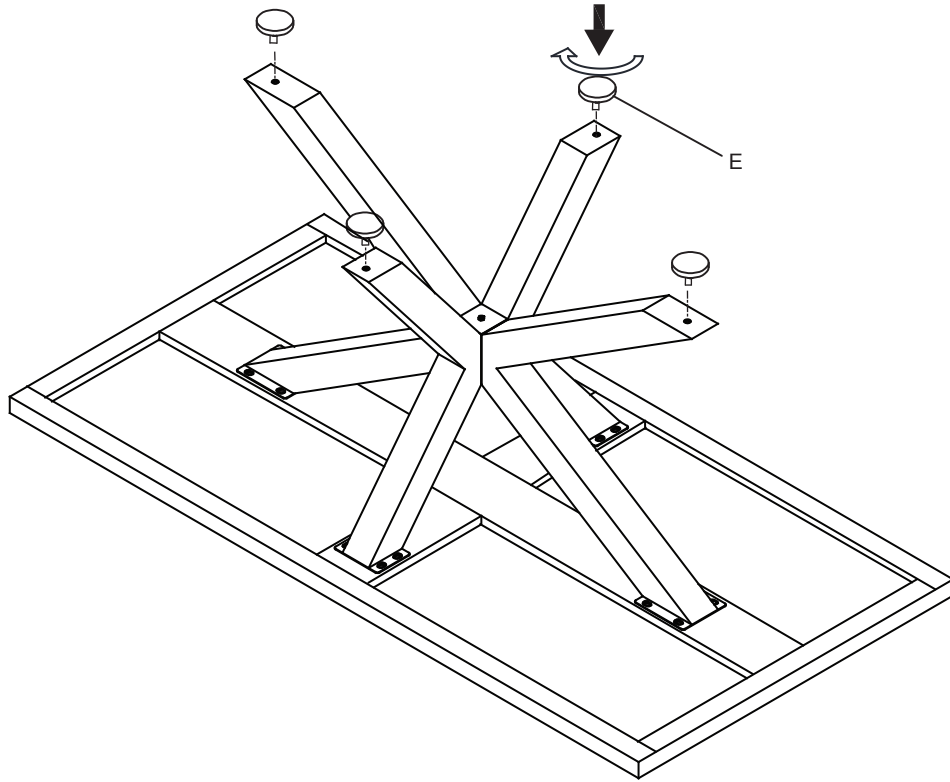
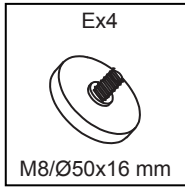


4

Ax16  M8x25 mm	Bx16  Ø8/Ø16 mm	Gx1  5 mm
---------------------------------------------------------------------------------------------------------	----------------------------------------------------------------------------------------------------------	----------------------------------------------------------------------------------------------------



5



6

