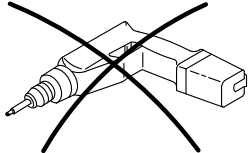
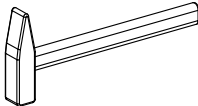
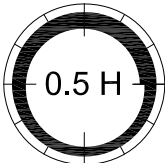
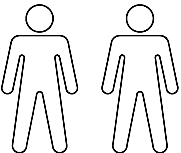
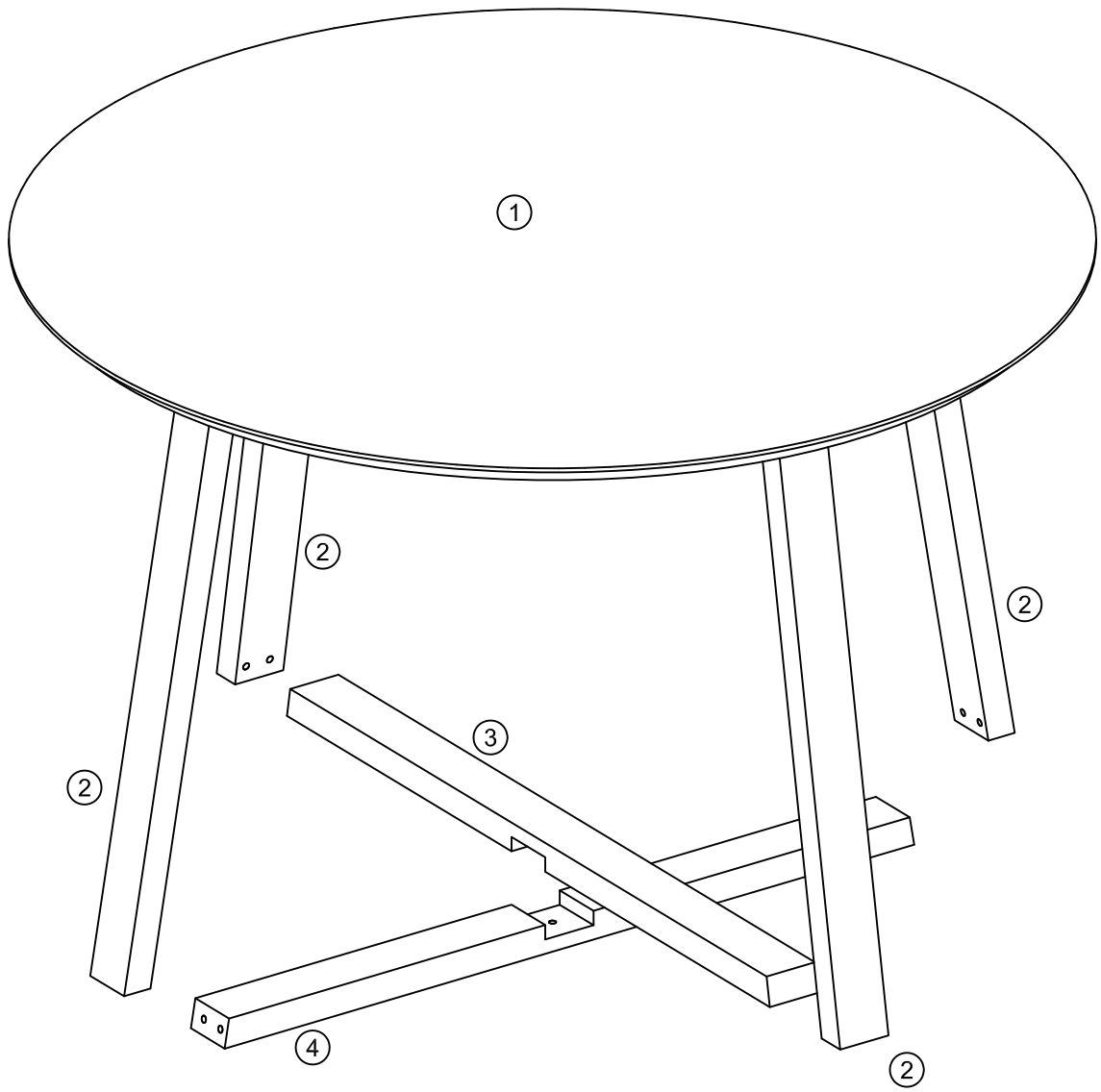

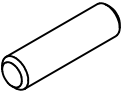

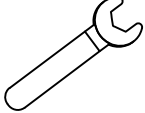
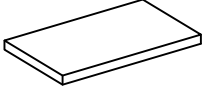
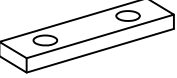
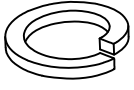

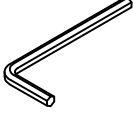


# MALIKA

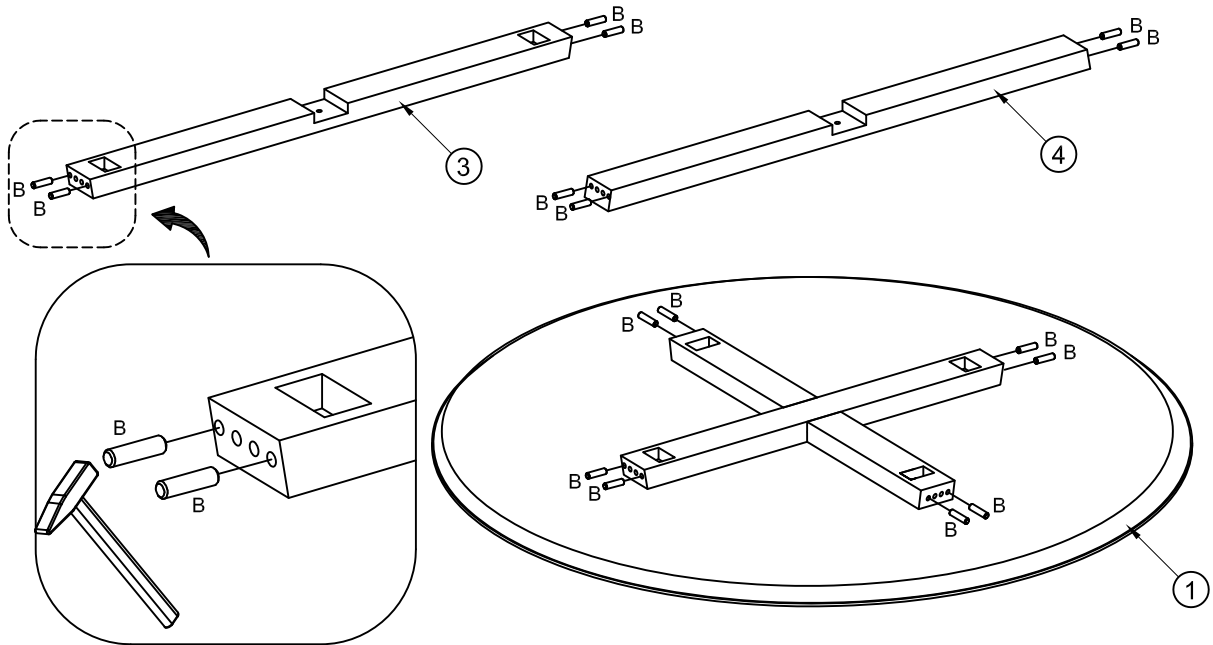
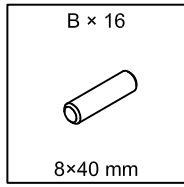


			✓
①	1	Ø1200 × 60	
②	4	742 × 65 × 35	
③	1	928 × 65 × 35	
④	1	928 × 65 × 35	

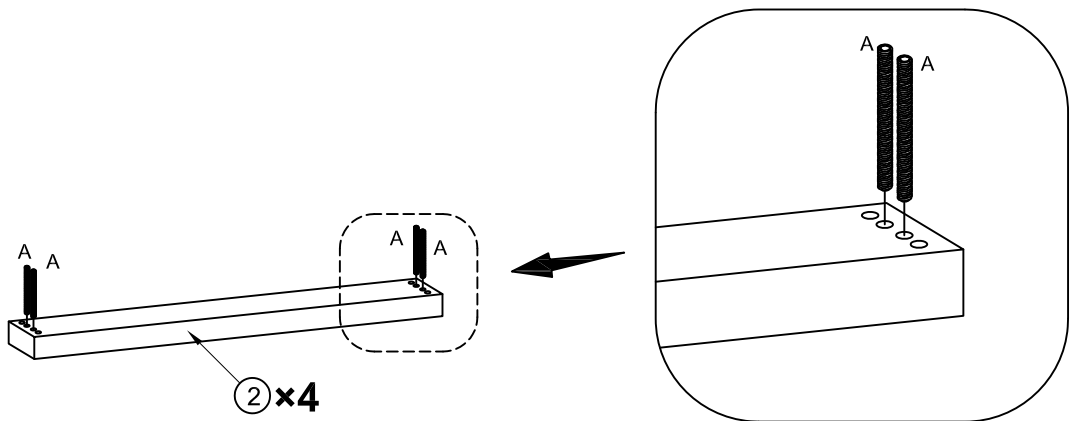
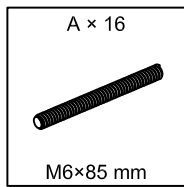


<p>A × 16</p>  <p>M6×85 mm</p>	<p>B × 16</p>  <p>8×40 mm</p>	<p>C × 16</p>  <p>M6/13 mm</p>	<p>D × 1</p>  <p>13 mm</p>	<p>E × 4</p>  <p>50×30×3 mm</p>
<p>F × 8</p>  <p>46×15×5 mm</p>	<p>G × 16</p>  <p>Ø6 mm</p>	<p>H × 1</p>  <p>M6×25 mm</p>	<p>J × 1</p>  <p>4 mm</p>	





1

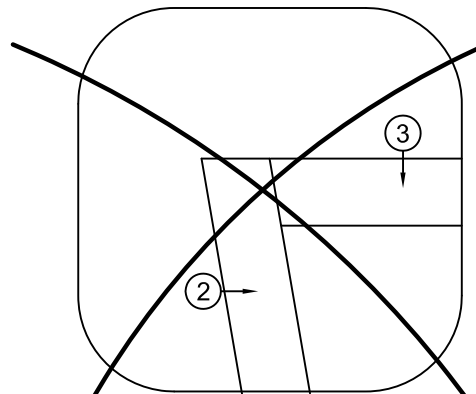
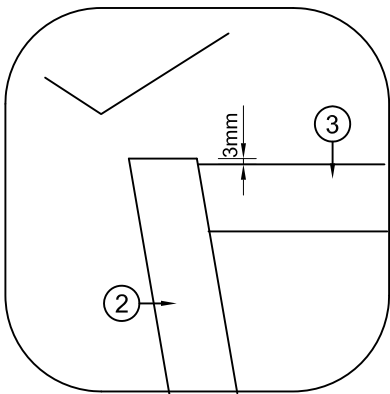
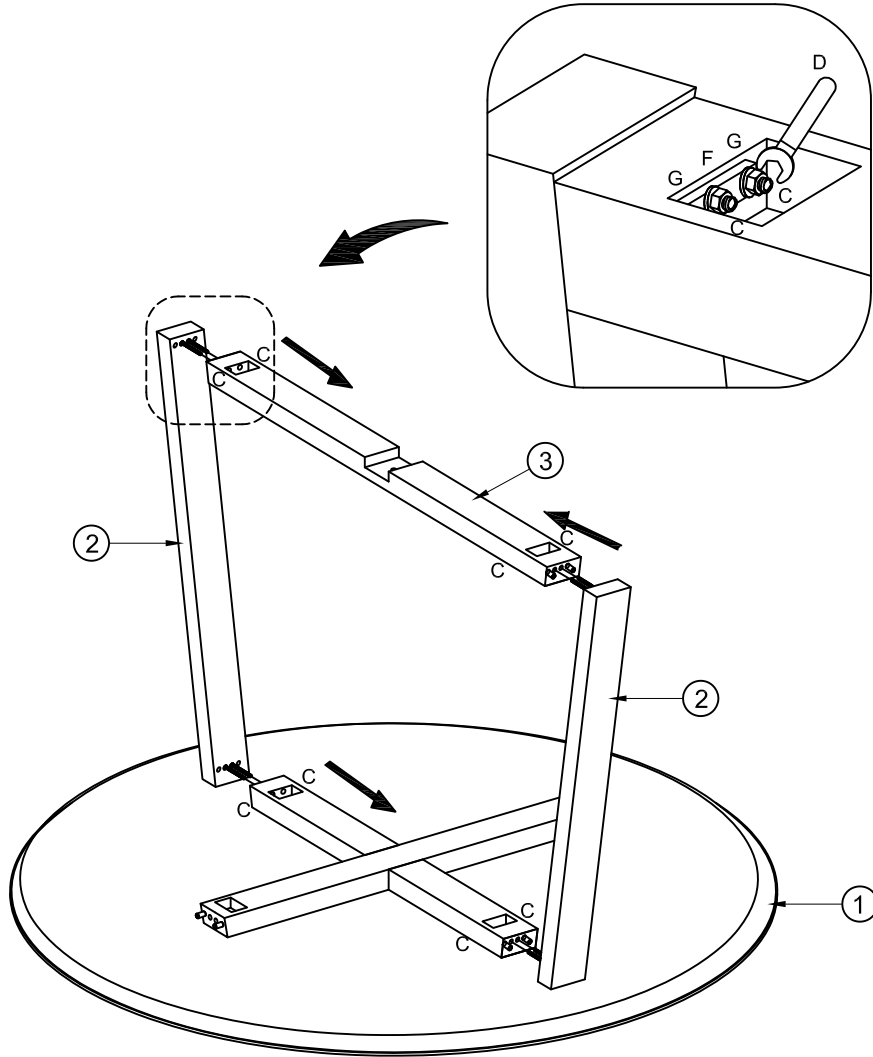


2



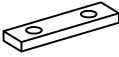
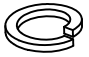


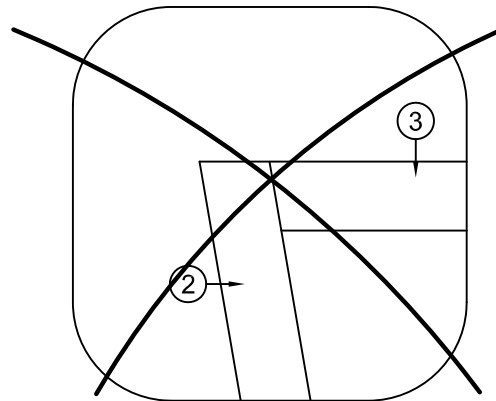
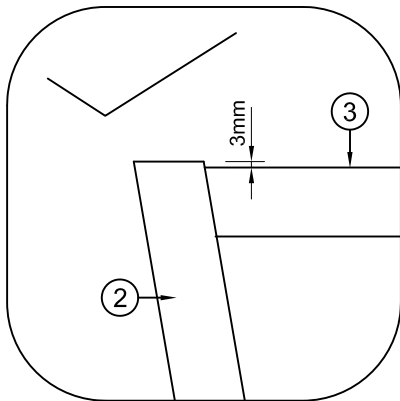
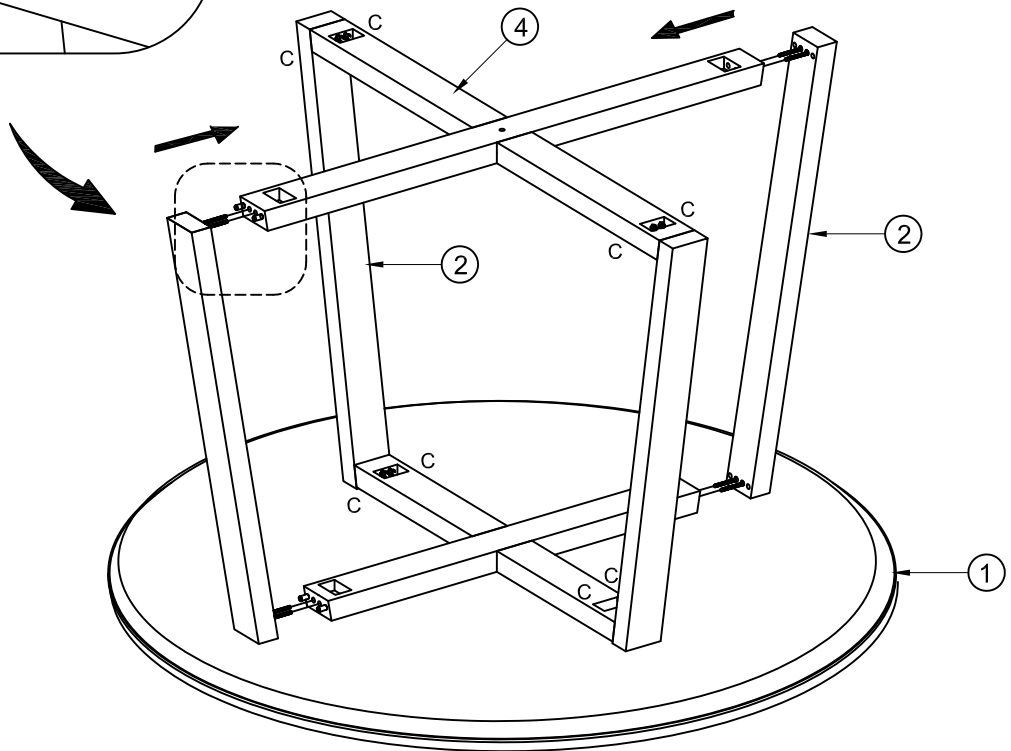
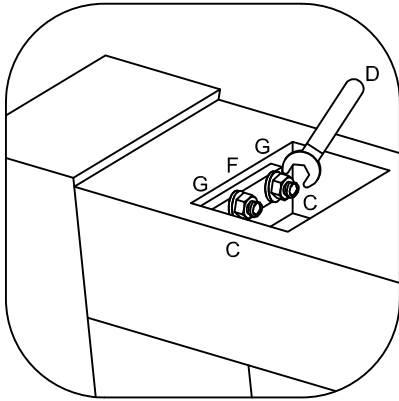
# 3

C × 8  M6/13 mm	D × 1  13 mm	F × 4  46×15×5 mm	G × 8  Ø6 mm
--	---	--	---

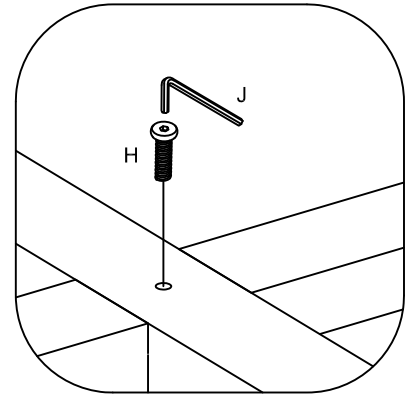
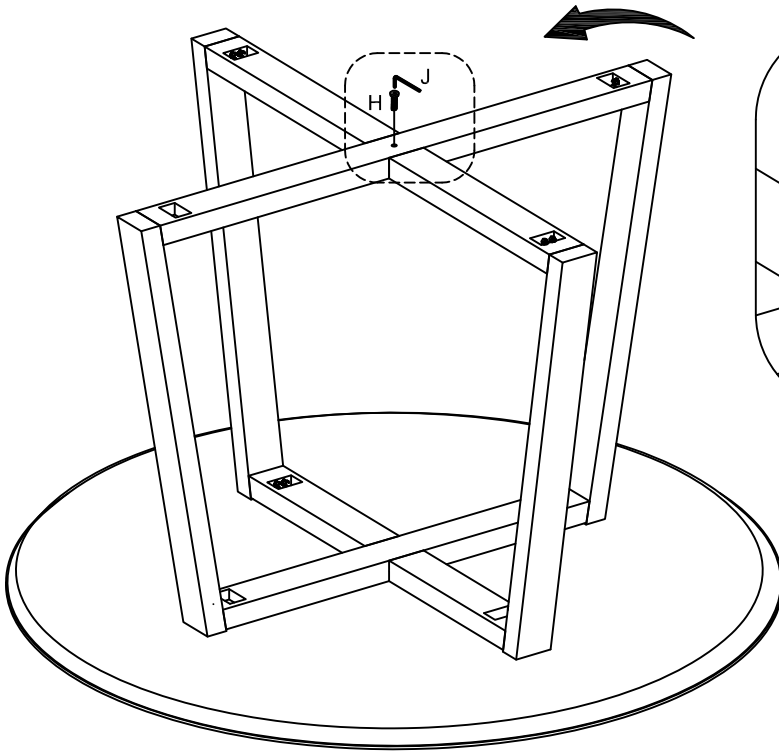
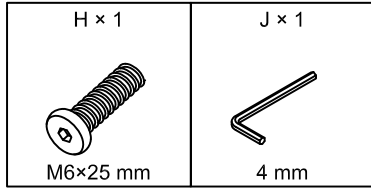


# 4

C × 8  M6/13 mm	D × 1  13 mm	F × 4  46×15×5 mm	G × 8  Ø6 mm
--	---	--	---



# 5



# 6

