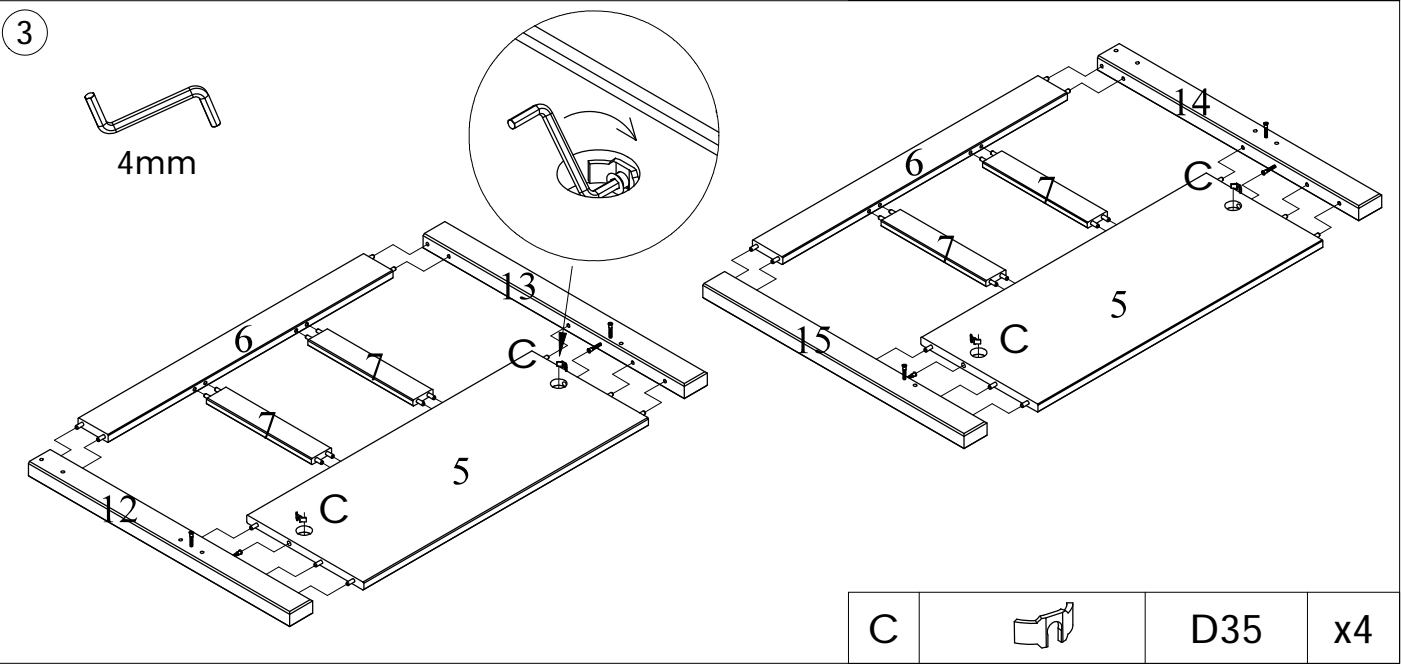
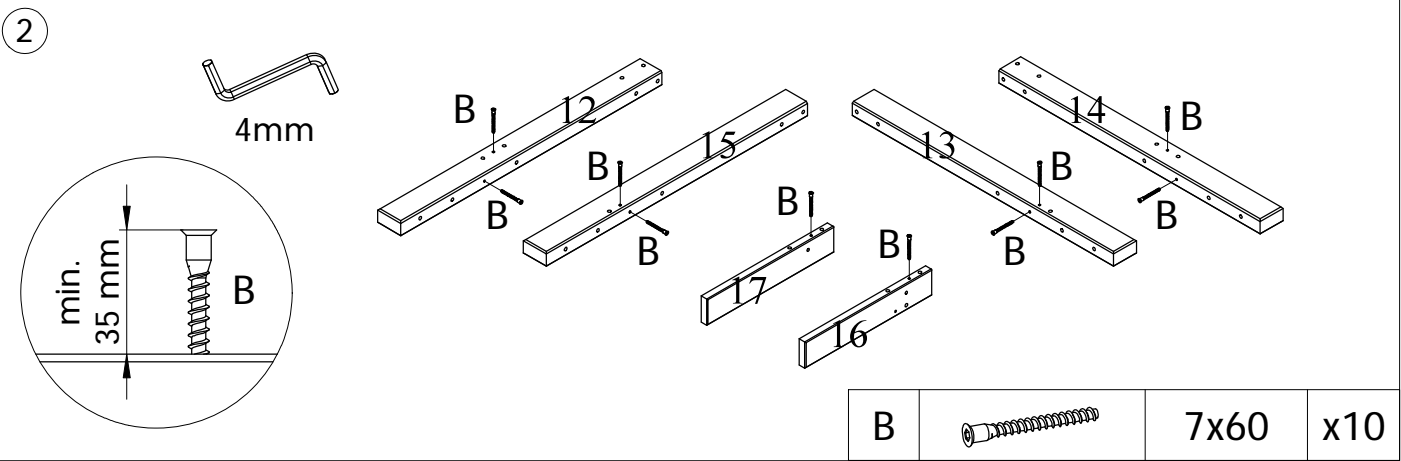
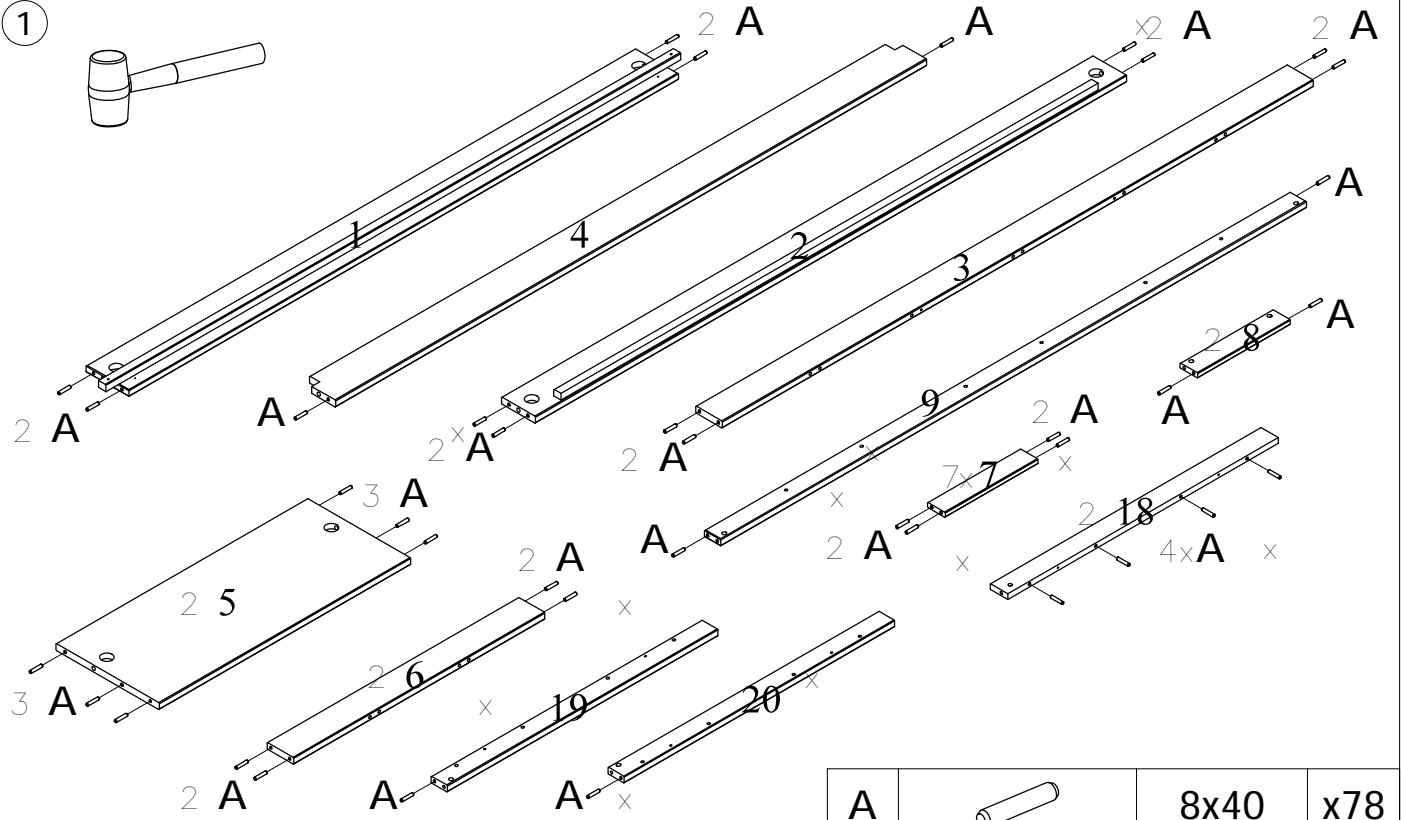
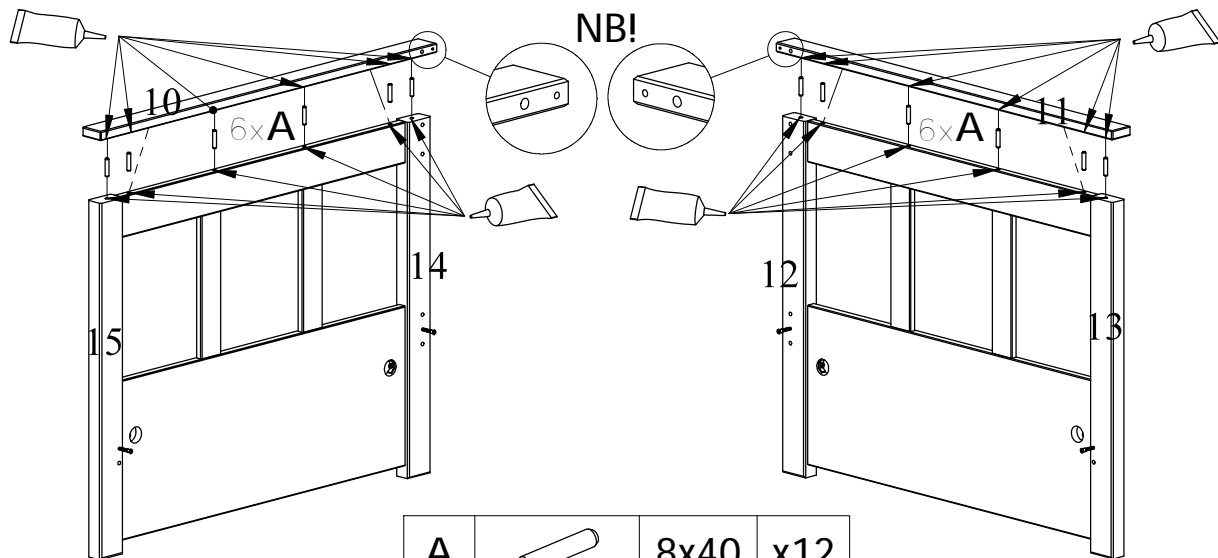


A		8x40	x96
B		7x60	x10
C		D35	x10
D		M6x55	x2
E		M6x10x13	x2
F		6,1x24x35	x8
G		D12x10	x8
H		5x50	x4

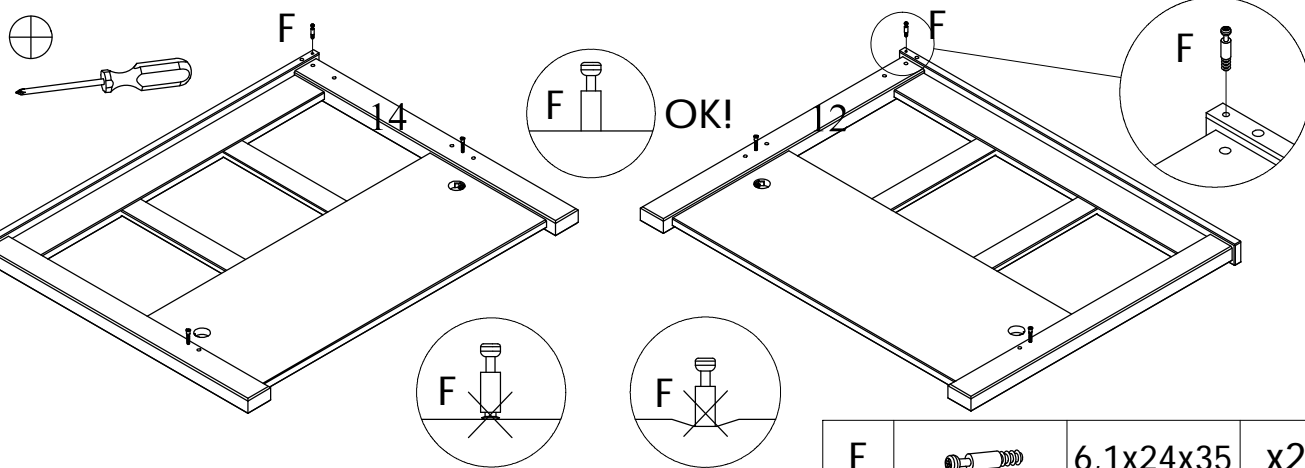
K		4x20	x24
M		3,5x35	x31
R		D15x18	x2
S		60x50x4	x2
T		102x30x6	x2
U			x1
V		4mm	x1



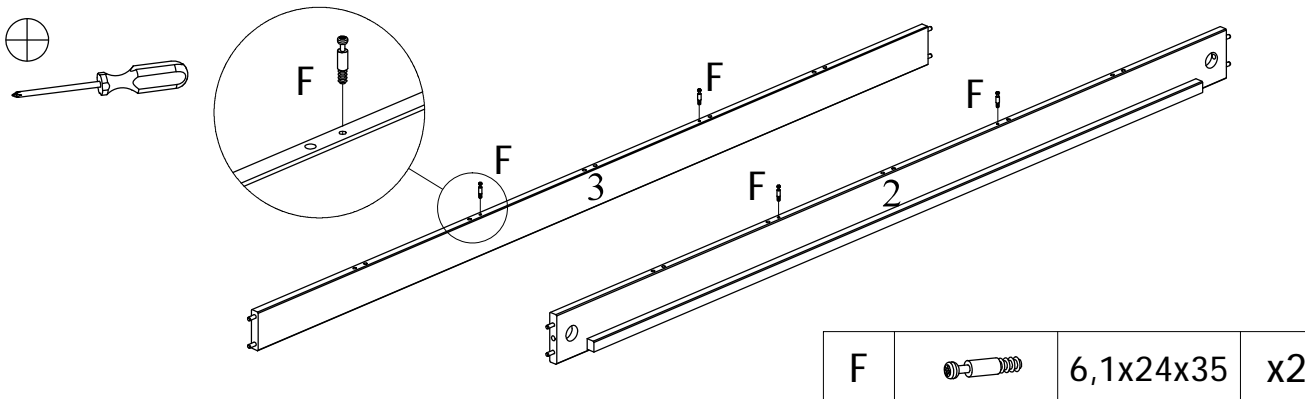
4



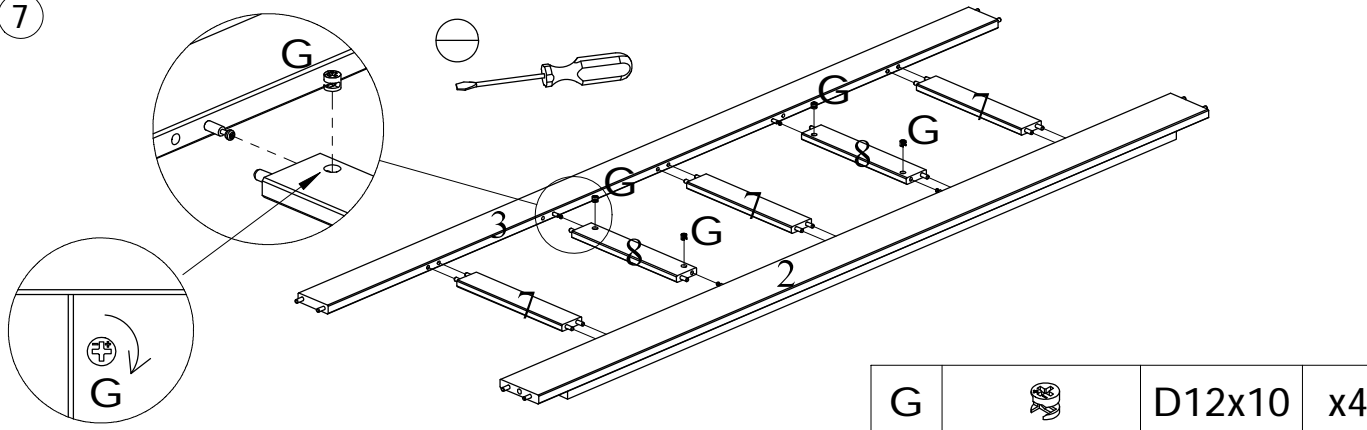
5



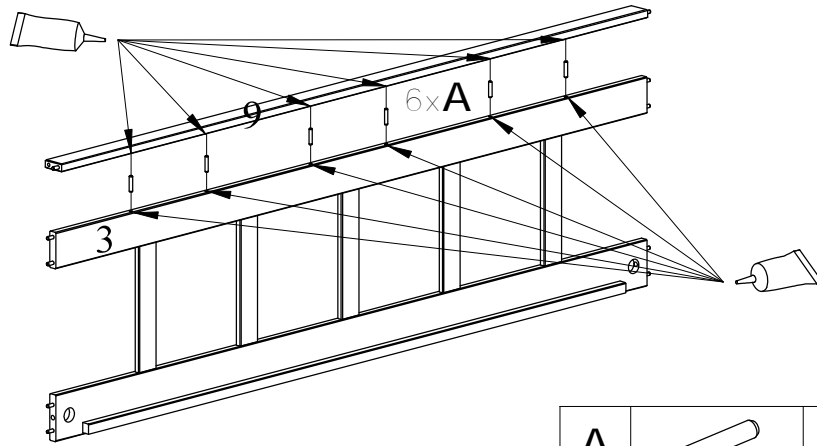
6

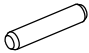


7

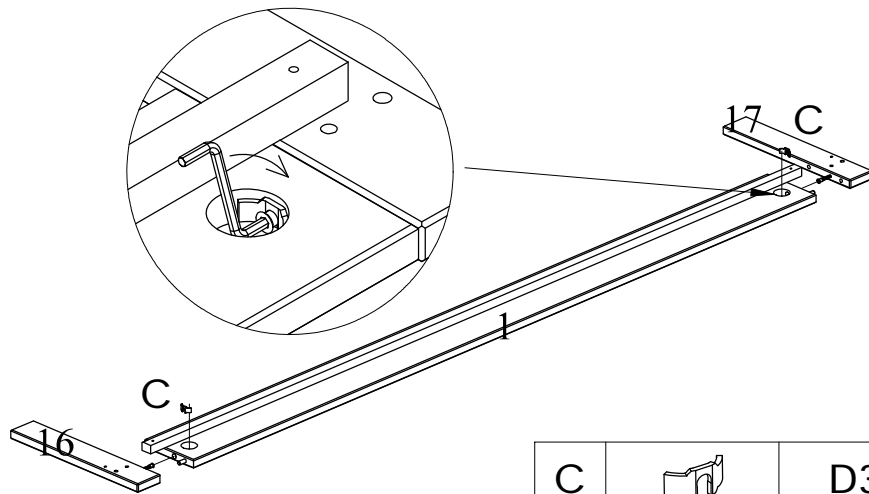
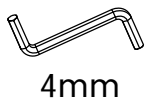


4



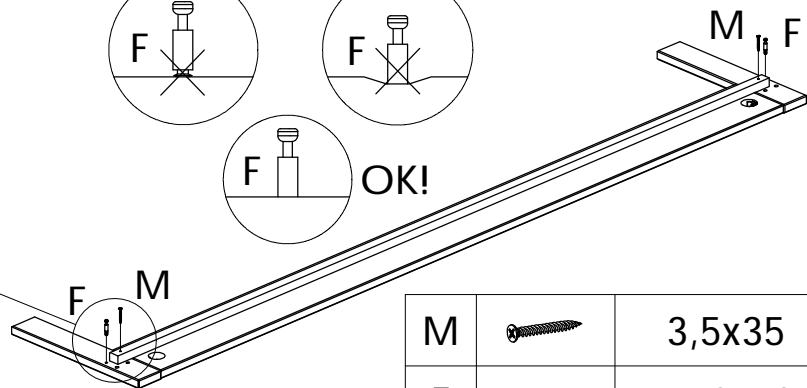
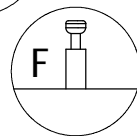
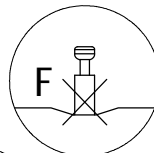
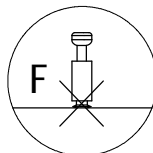
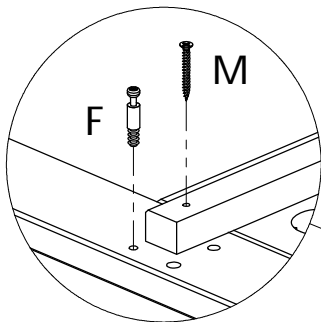
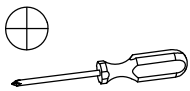
A		8x40	x6
---	---	------	----


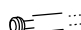
5



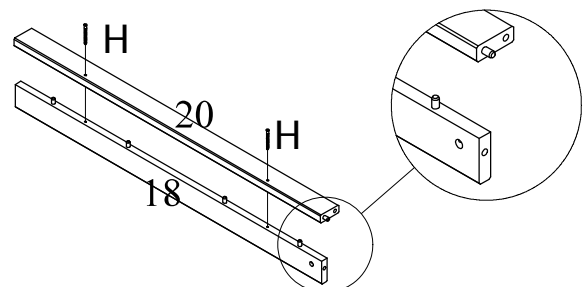
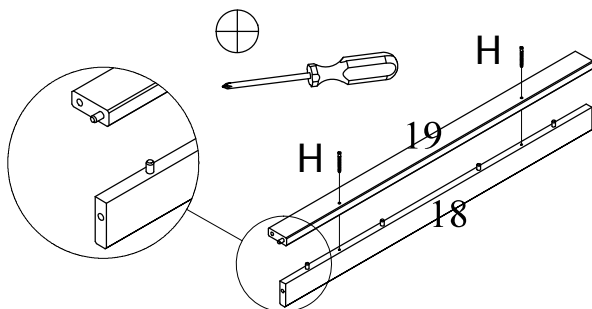
C		D35	x2
---	---	-----	----


6



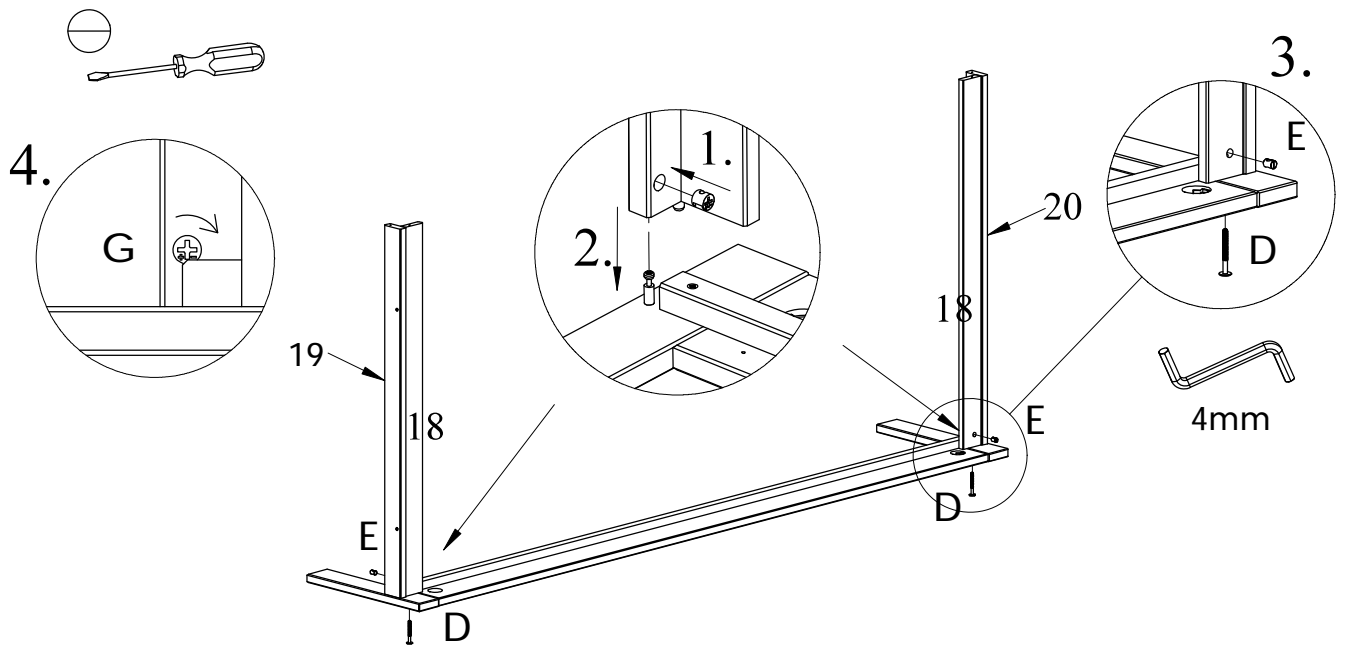
M		3,5x35	x2
F		6,1x24x35	x2



7




H		5x50	x4
---	---	------	----

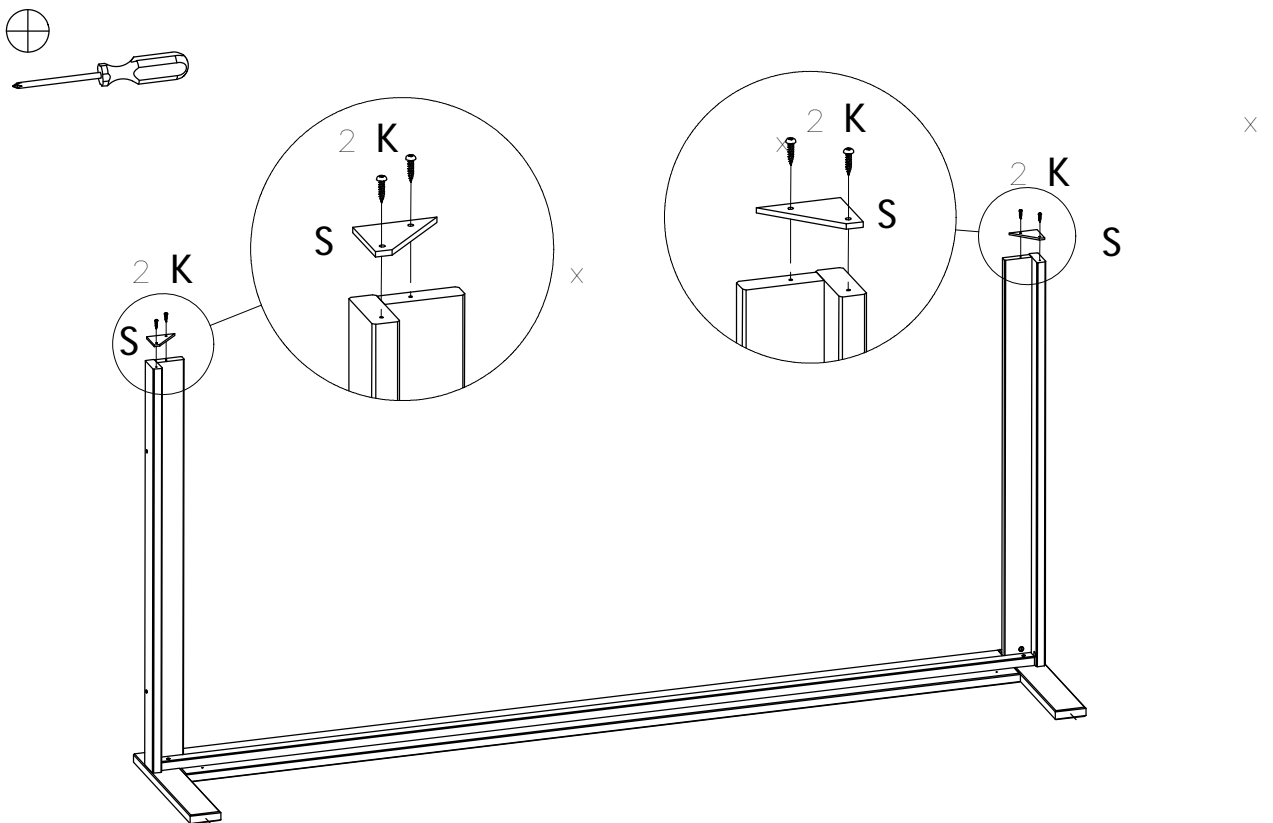
8

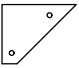



D		M6x55	x2
E		M6x10x13	x2

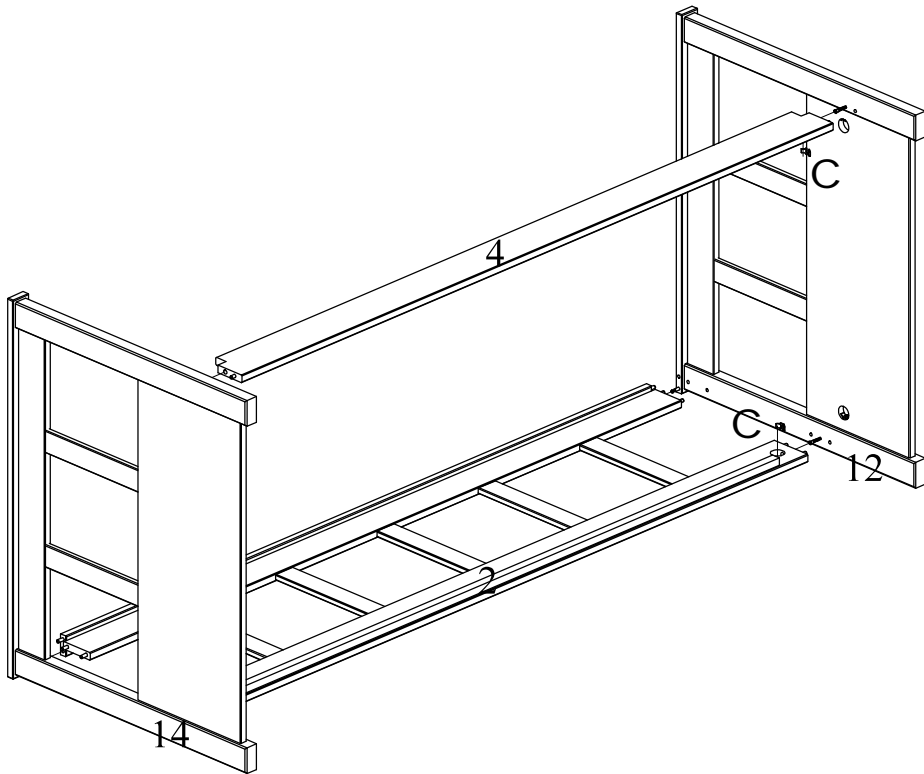
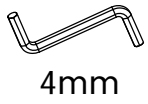
G		D12x10	x2
---	---	--------	----

9



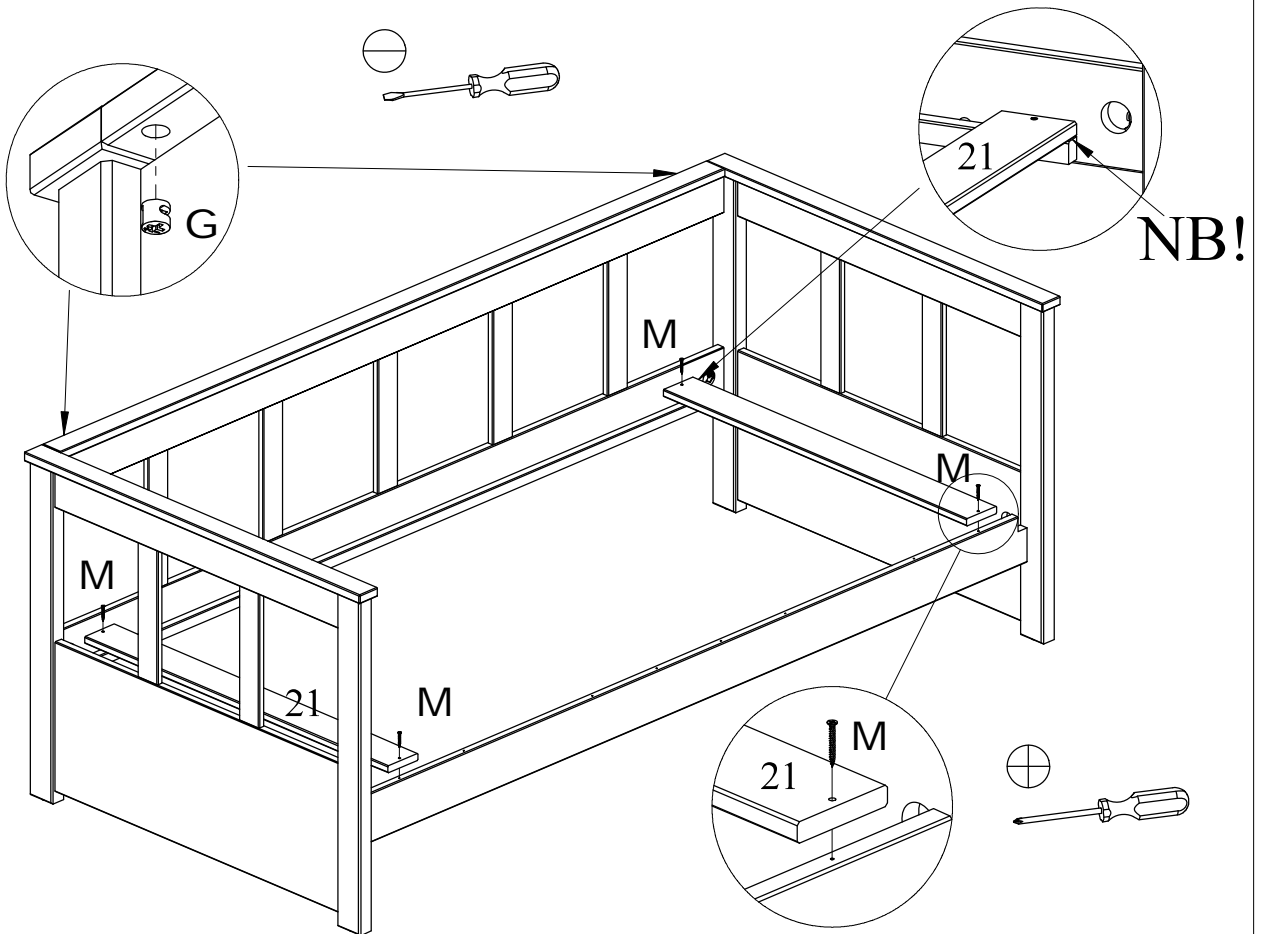
S		60x50x4	x2
K		4x20	x4

10



C		D35	x4
---	--	-----	----

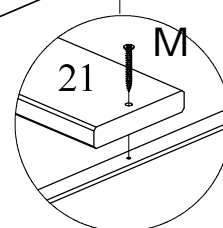
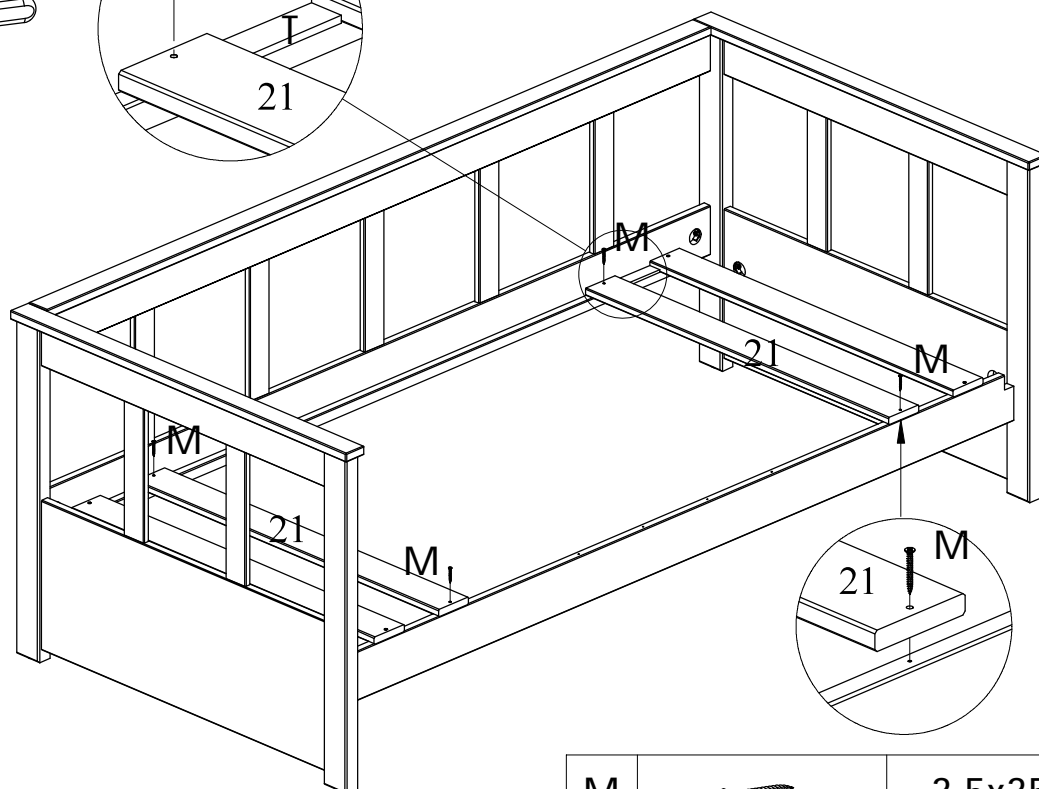
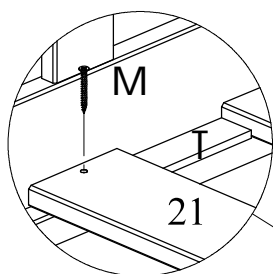
11



G		D12x10	x2
---	--	--------	----

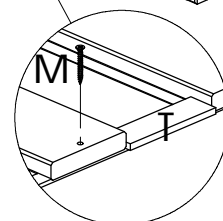
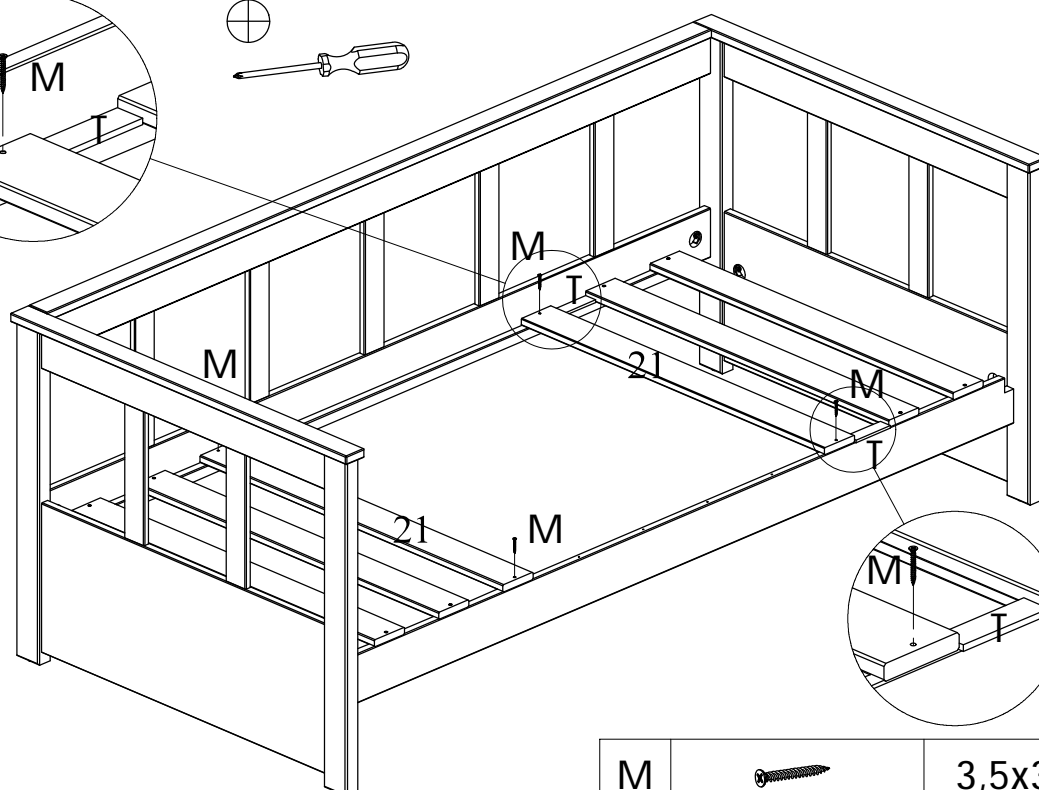
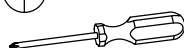
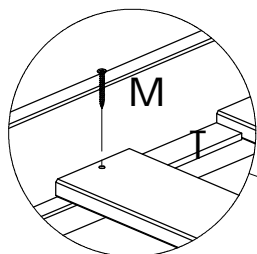
M		3,5x40	x4
---	--	--------	----

12



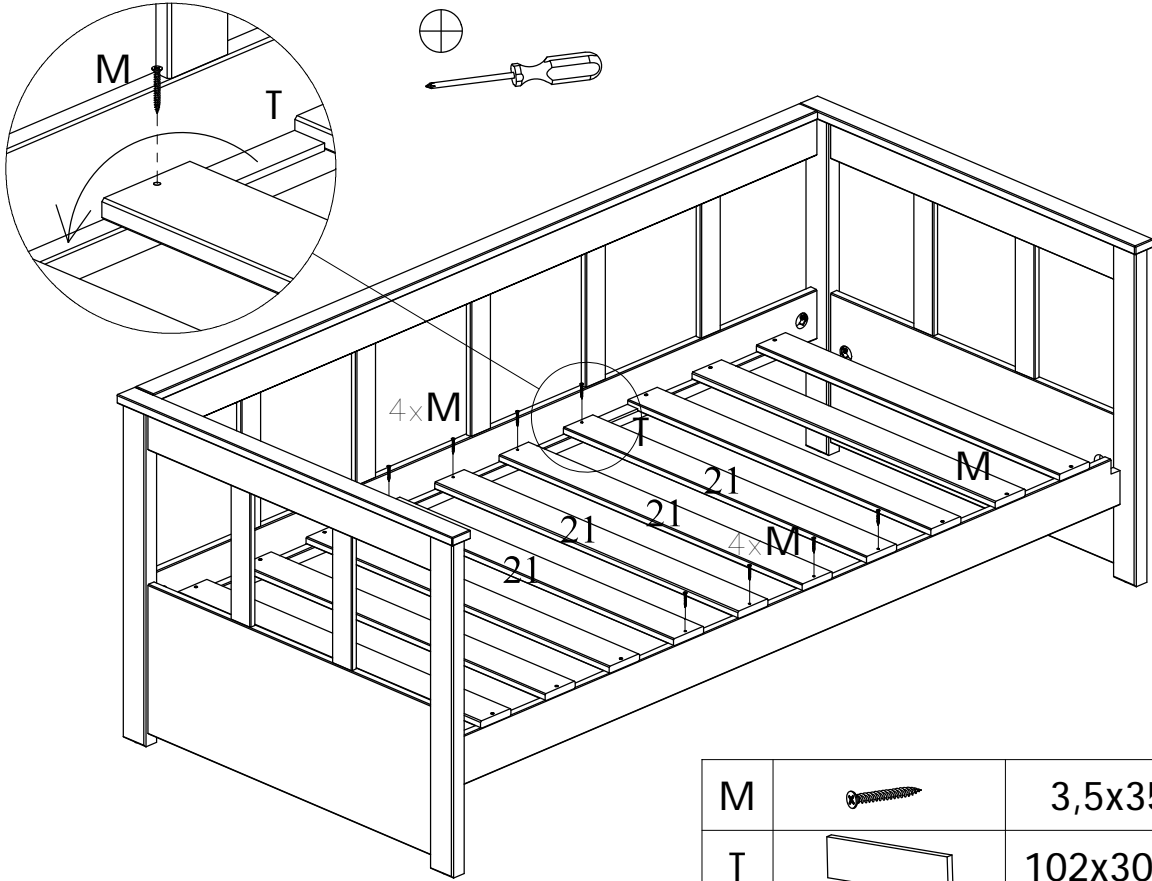
M		3,5x35	x4
T		102x30x6	x1



13



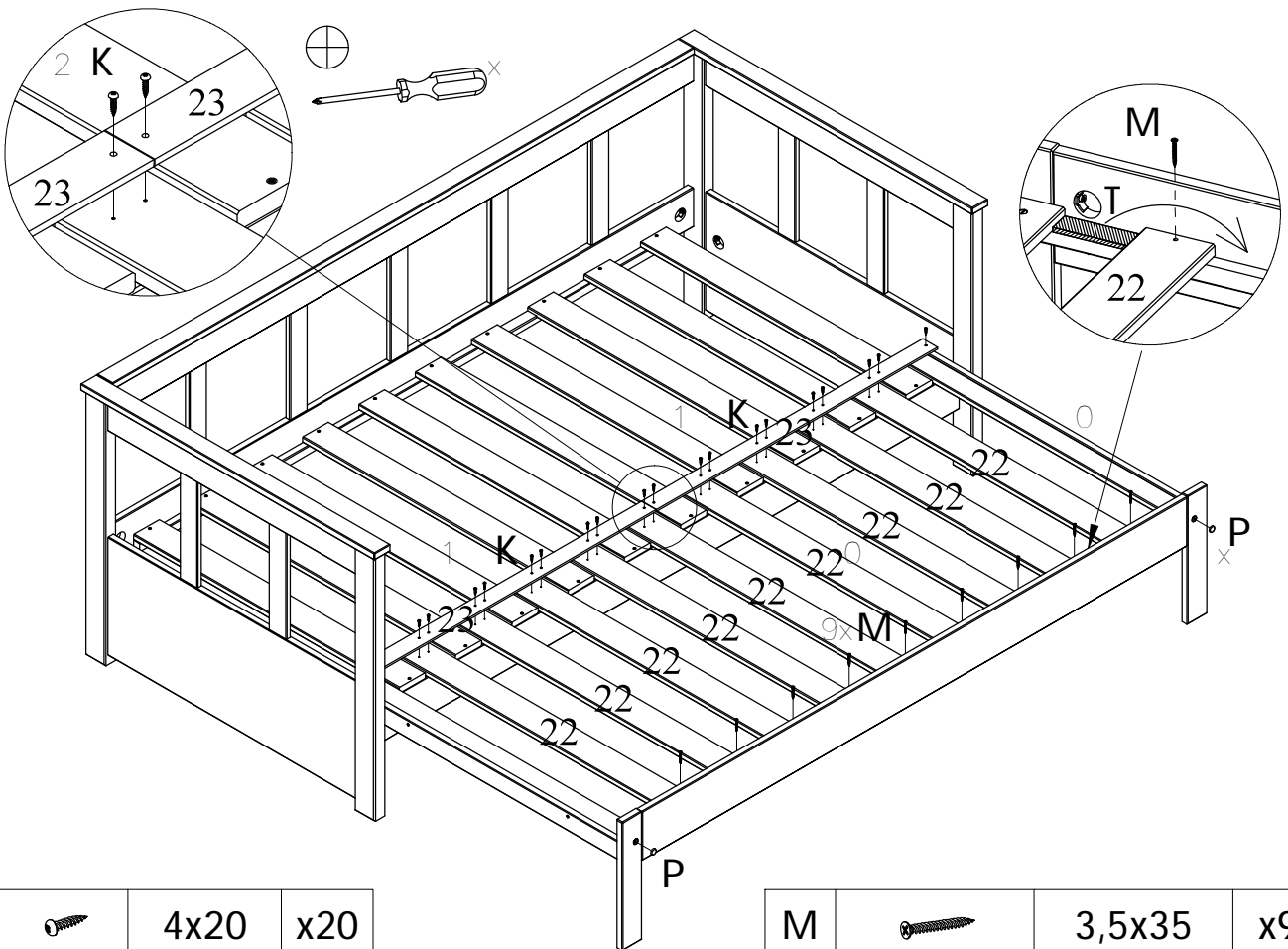
M		3,5x35	x4
T		102x30x6	x2



14





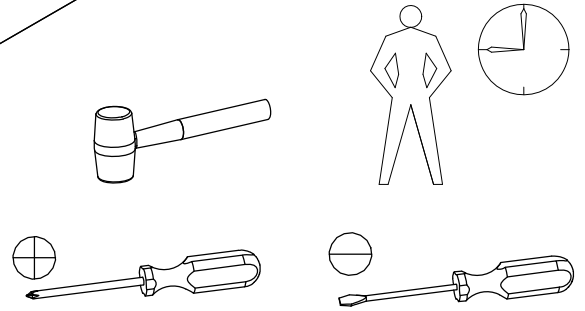
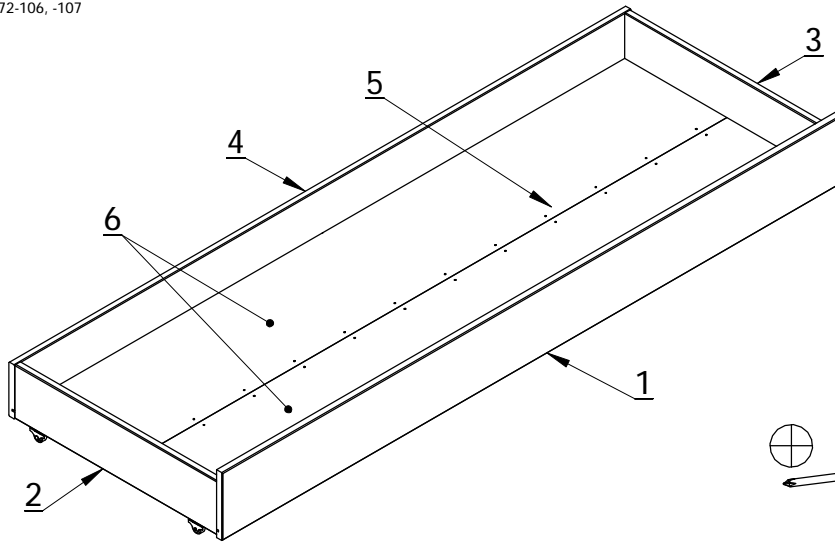
M		3,5x35	x8
T		102x30x6	x1

15



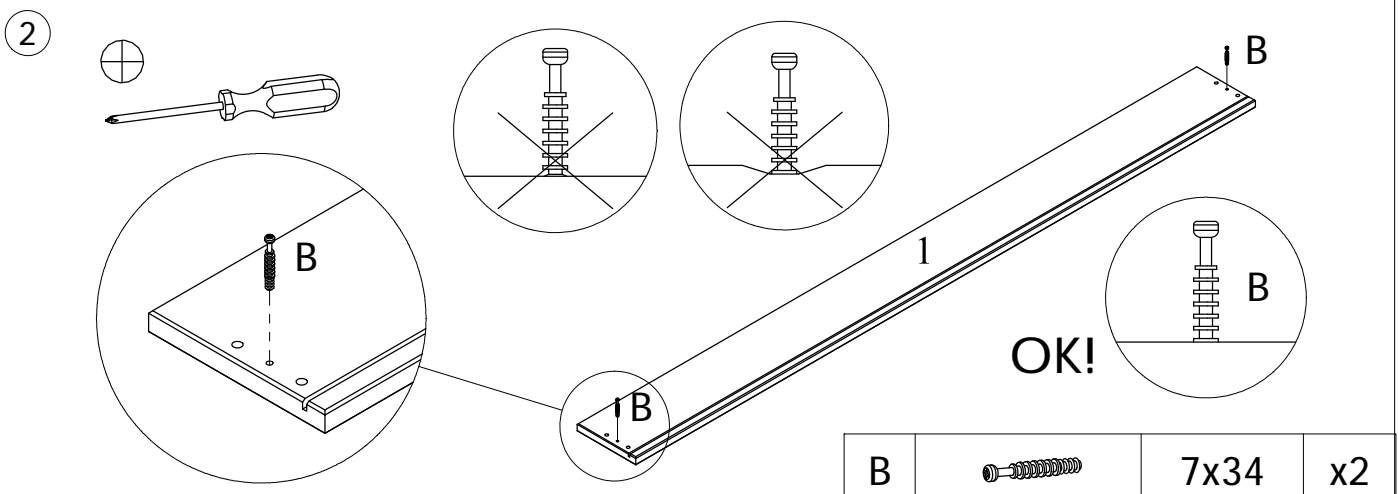
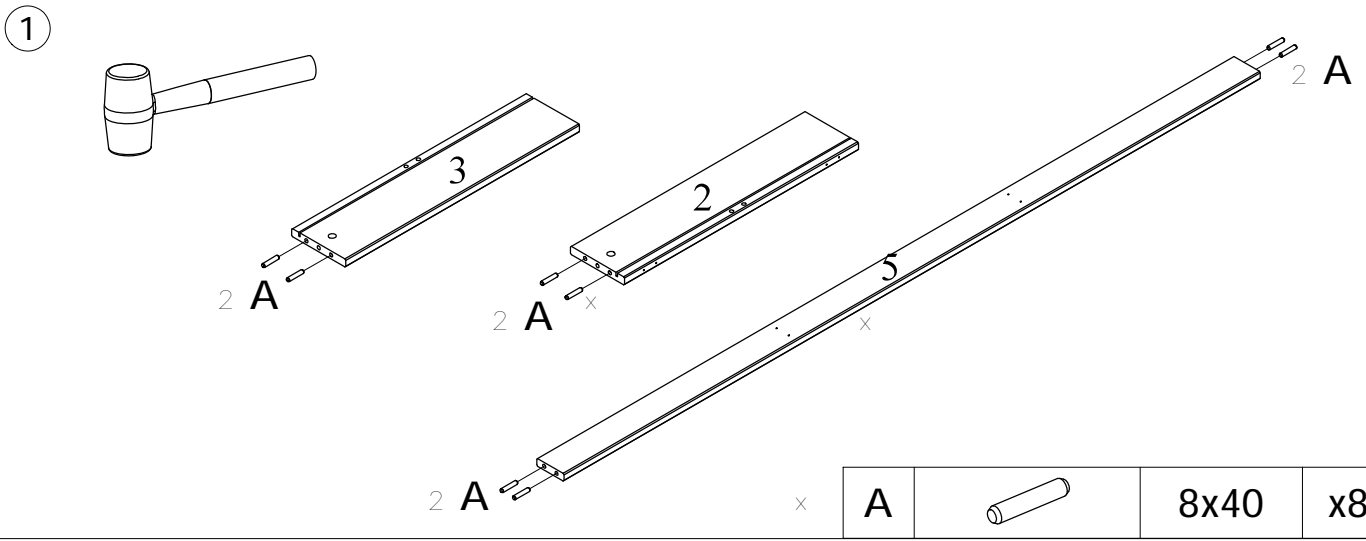
K		4x20	x20
R		D15x18	x2

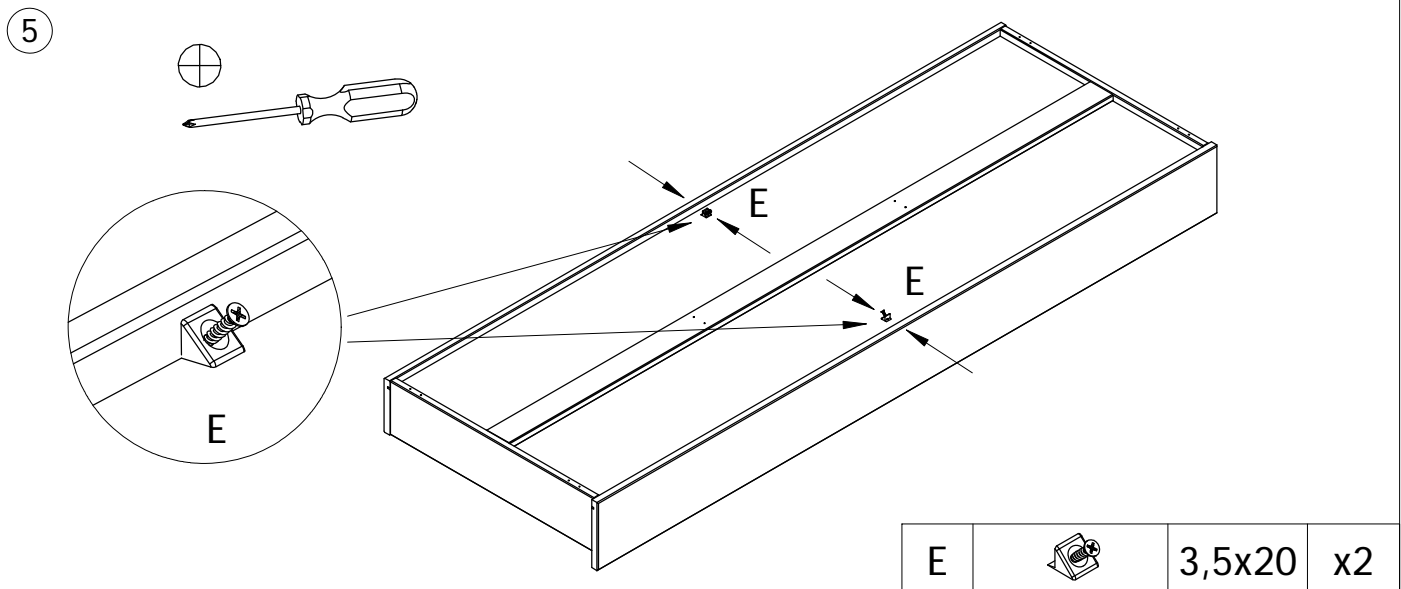
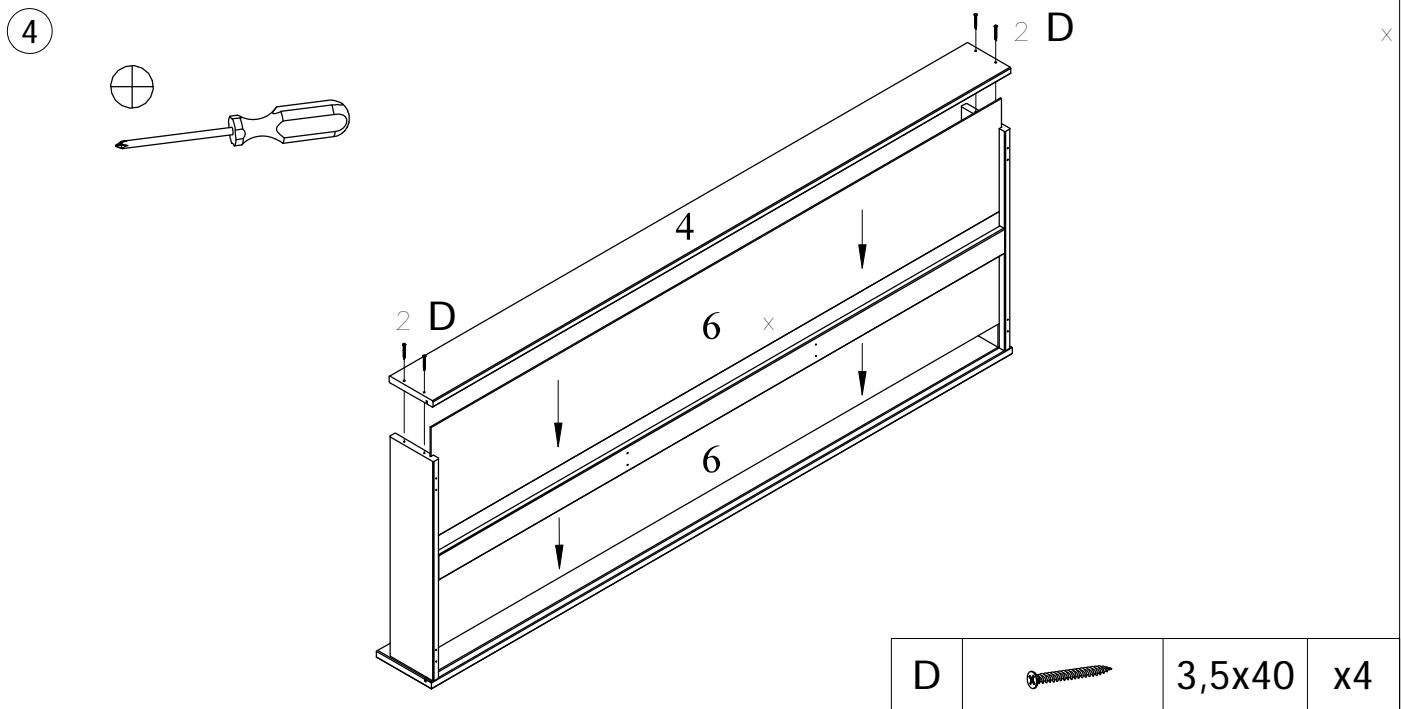
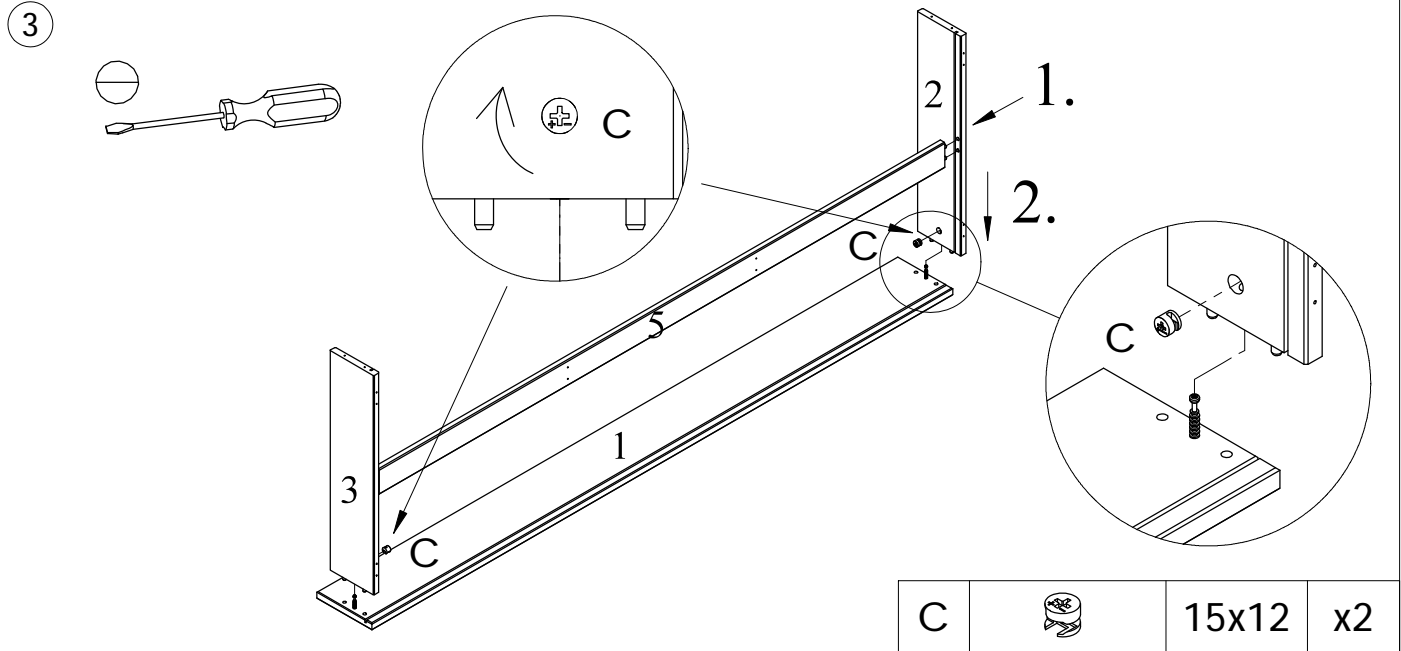
M		3,5x35	x9
T		102x30x6	x1



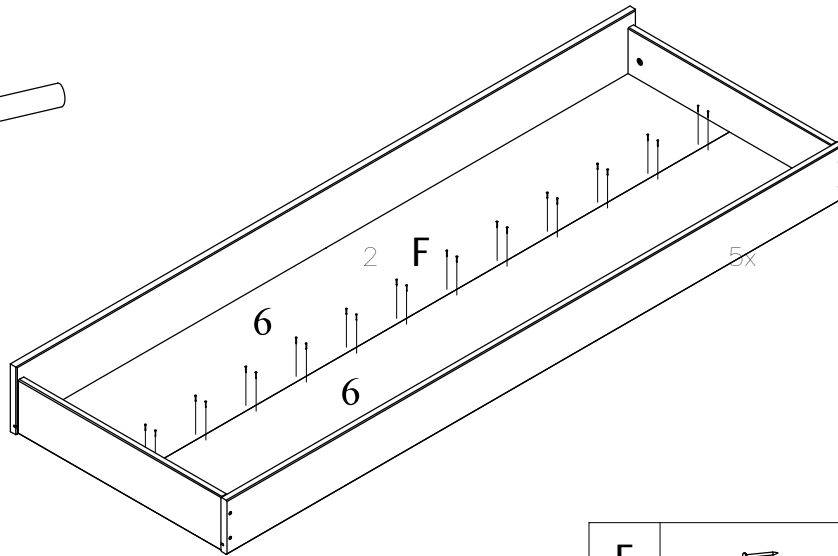
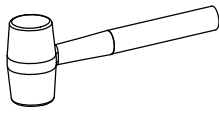
A		8x40	x8
B		7x34	x2
C		15x12	x2
D		3,5x40	x4
E		3,5x20	x2

F		1,6x16	x25
G		3,5x16	x12
H		D26	x6
J		D19x19	x2
K		4x35	x2



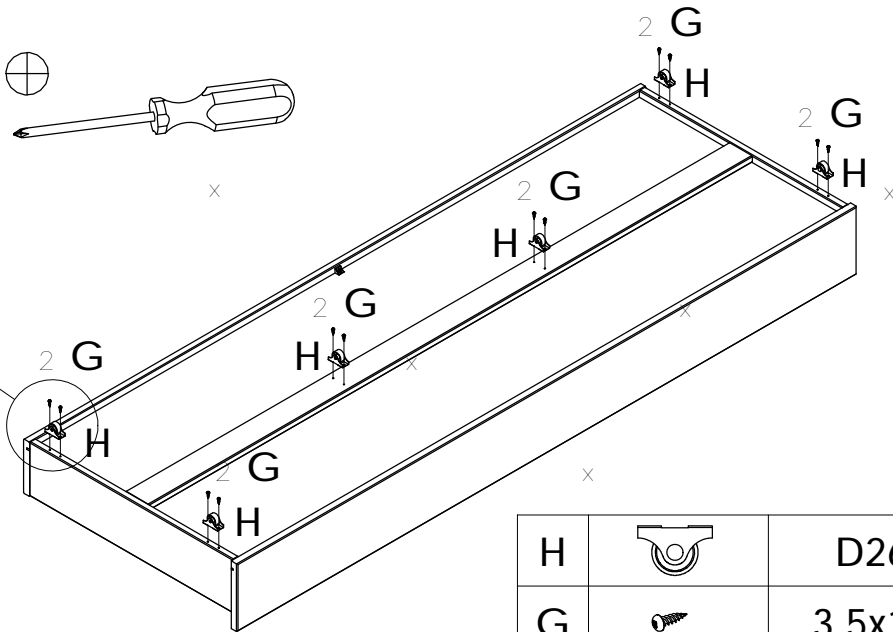
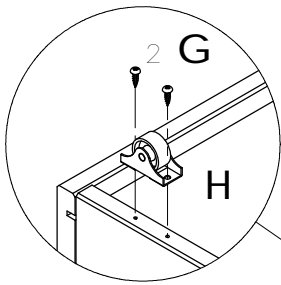
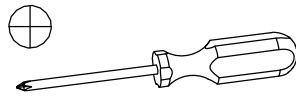


6



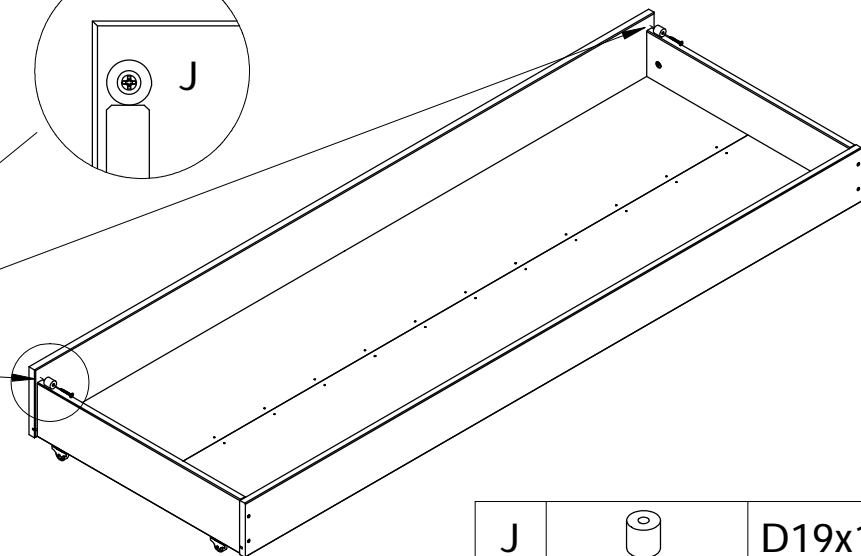
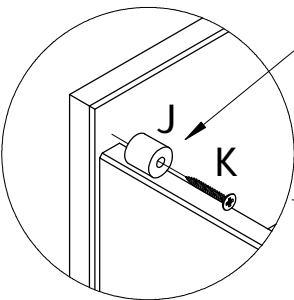
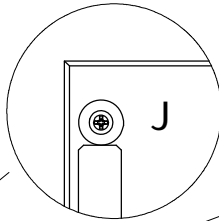
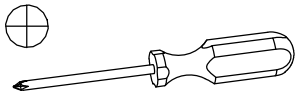
F		1,6x16	x25
---	--	--------	-----

7



H		D26	x6
G		3,5x16	x12

8



J		D19x19	x2
K		4x35	x2