

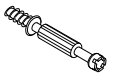


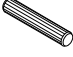
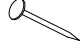
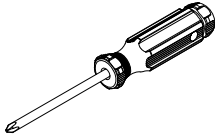
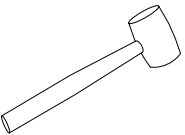
# ASSEMBLY INSTRUCTIONS

**CAUTION :**

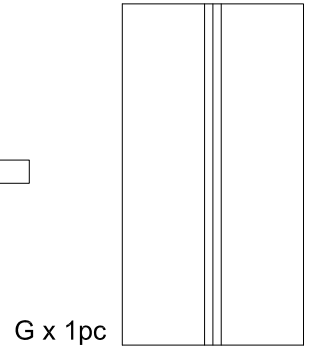
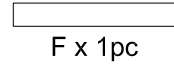
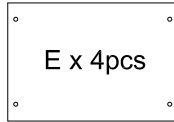
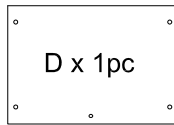
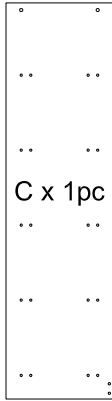
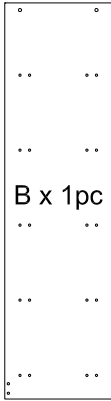
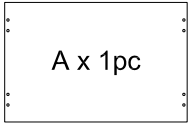
- BEFORE ASSEMBLING, READ ALL THE INSTRUCTION.
- ENSURE ALL COMPONENTS ARE PLACE ONTO CARDBOARD AS PROTECTION.
- CLEAN SURFACE WITH A DRY OR DAMP SOFT CLOTH.
- DO NOT USE ABRASIVE CLEANERS, DETERGENT OR CHEMICAL.

**6130**

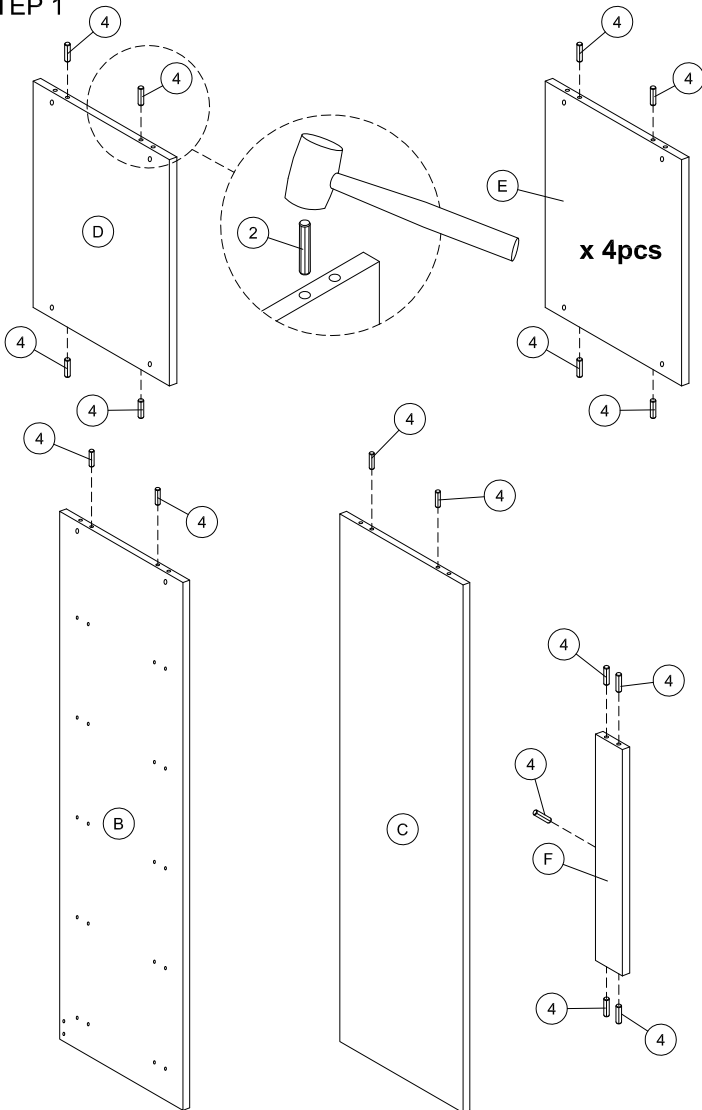
**HARDWARE :**

1	2	3	4	5	TOOLS REQUIRED :
					 
x 24 PCS	x 24 PCS	x 24 PCS	x 29 PCS	x 44 PCS	

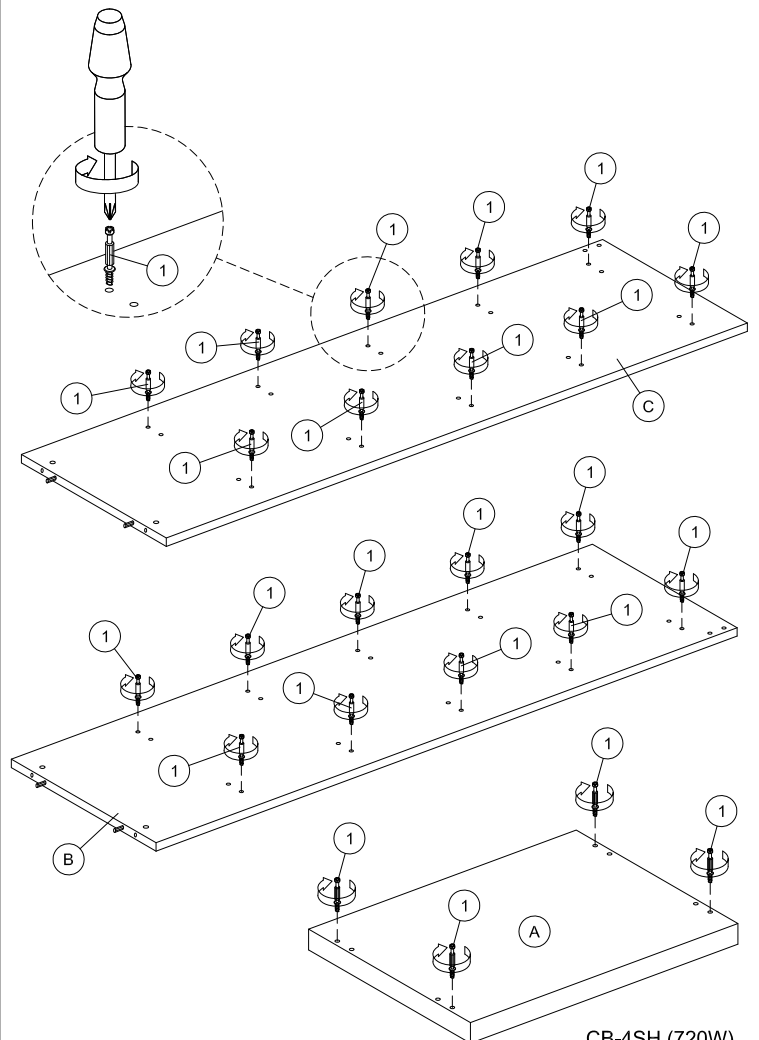
**COMPONENTS :**



**STEP 1**

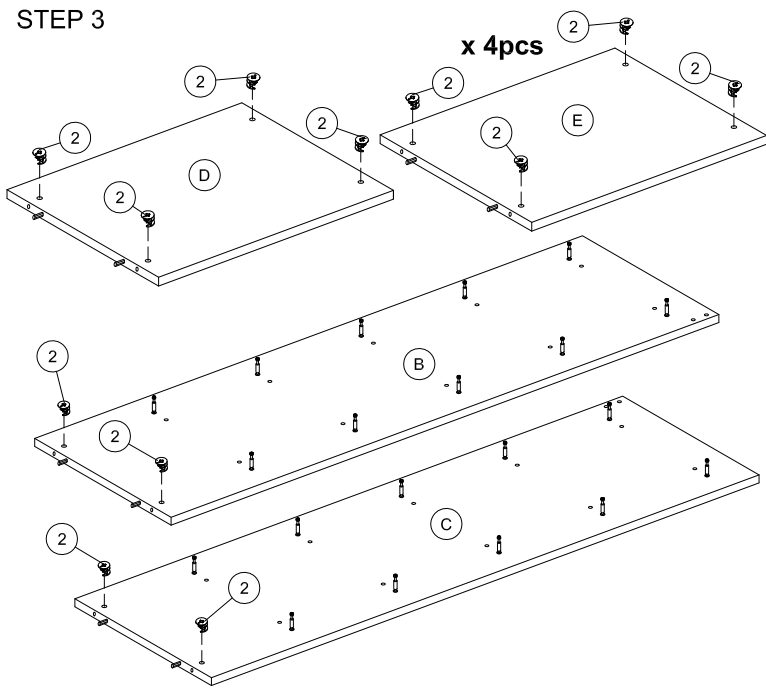


**STEP 2**

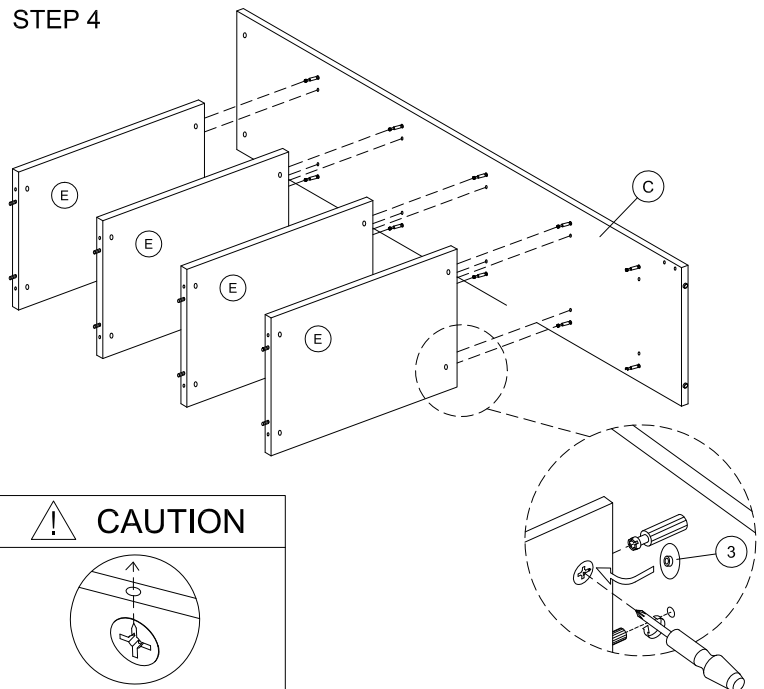


# ASSEMBLY INSTRUCTIONS

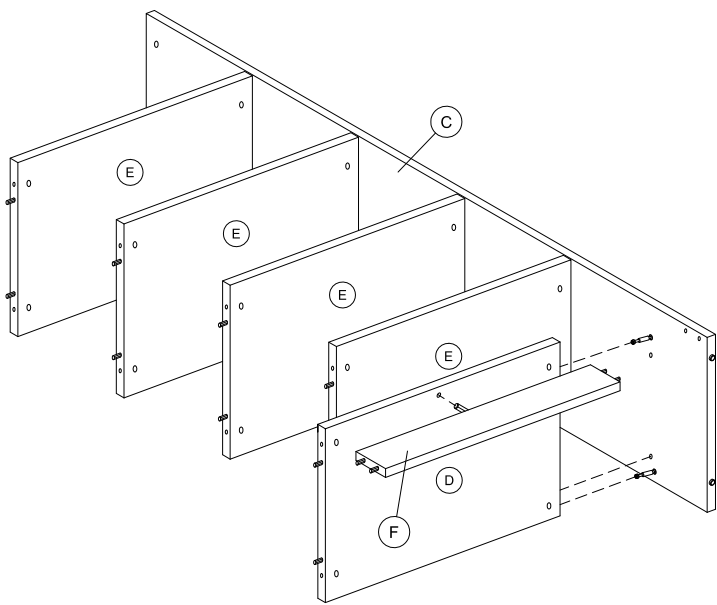
STEP 3



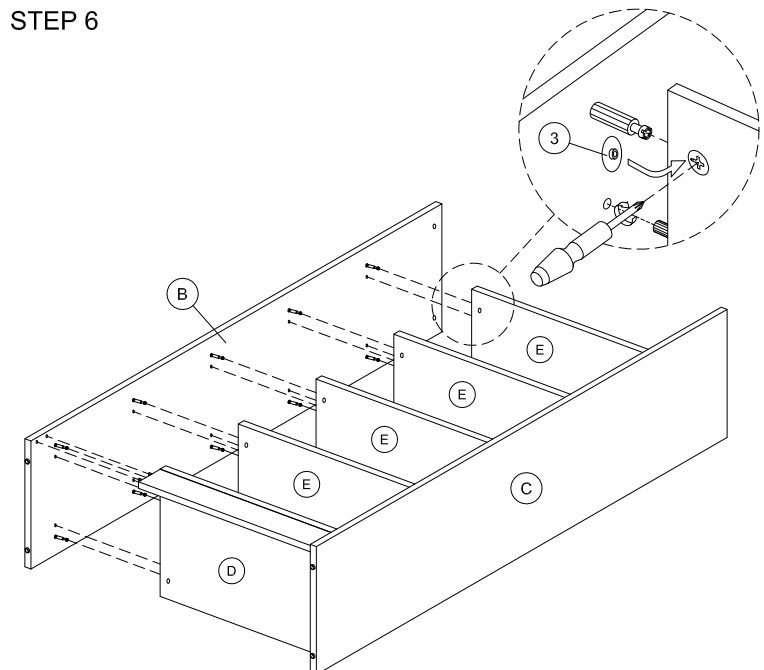
STEP 4



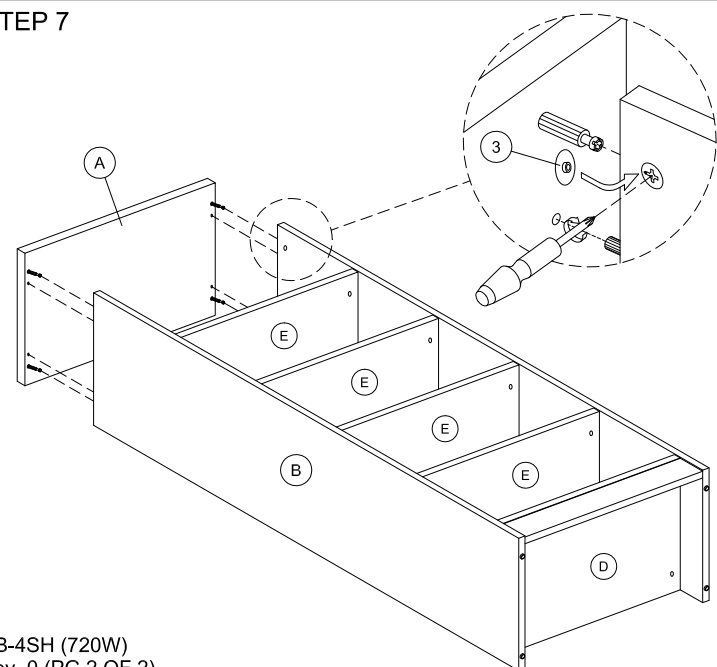
STEP 5



STEP 6



STEP 7



STEP 8

