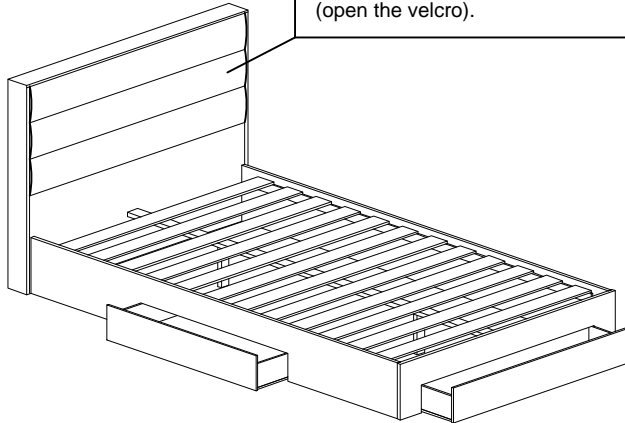


# Assembly Instruction

Model : TO-902

**Attention!** Matériel dans la tête de lit (ouvrir derrière par velcro).  
**Aandacht!** Onderdelen in hoofdbord (velcro aan de achterkant openen).  
**Attention!** hardware, slats and footboard located in headboard (open the velcro).

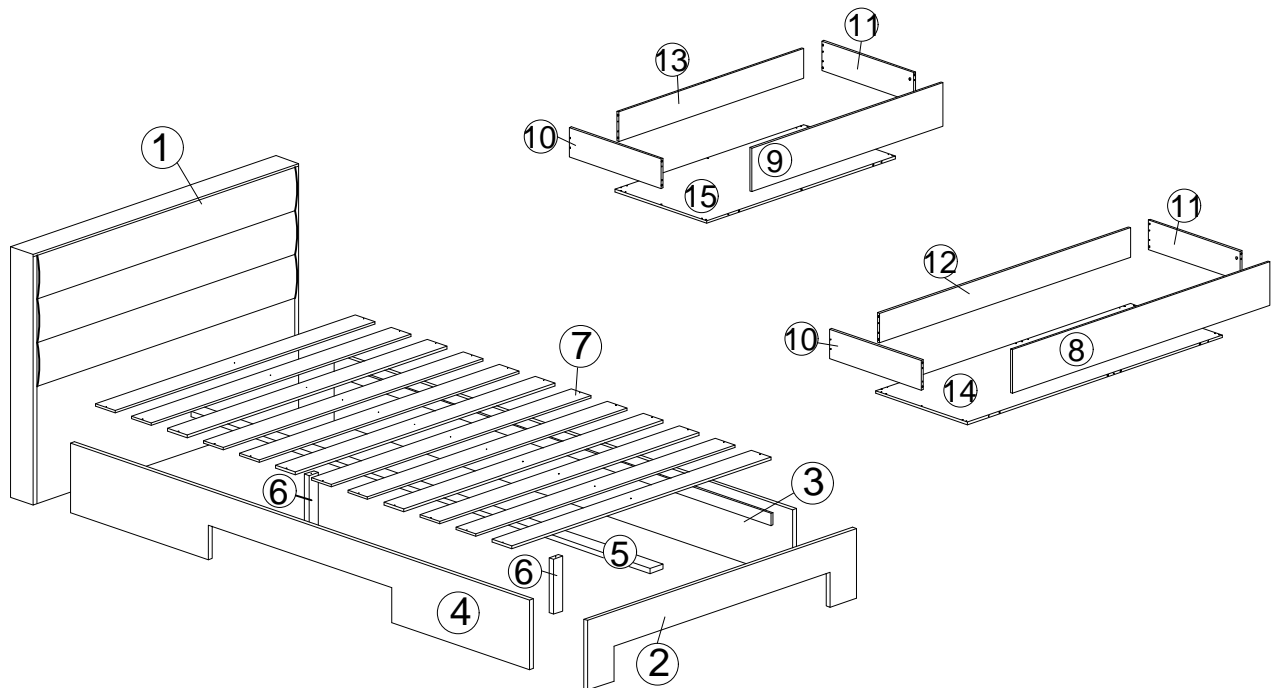


Hardware List			
No.	SHAPE	DESCRIPTION	Qty.
A		Dowel 8x25	41Pcs
B		M3.5x16mm Screw	32Pcs
C		M4x25mm Screw	36Pcs
D		M4x45mm Screw	22Pcs
F		L Key (M4)	1Pcs
G		Caster	8Pcs
H		15MM Minifix Myfix	13Pcs
I		JCBC M4x30mm	2Pcs

Part List		
No.	Part Name	Qty.
1	Head Board	1Pcs
2	Foot Board	1Pcs
3&4	Side Rail	2Pcs
5	Center Slats	1Pcs
6	Center Leg Support	2Pcs
7	LVL Slats	12Pcs
8	Drawer Front Panel - Big	1Pcs
9	Drawer Front Panel - Small	1Pcs
10&11	Drawer Side Panel	4Pcs
12	Drawer End Panel - Big	1Pcs
13	Drawer End Panel - Small	1Pcs
14	Drawer Base Panel - Big	1Pcs
15	Drawer Base Panel - Small	1Pcs

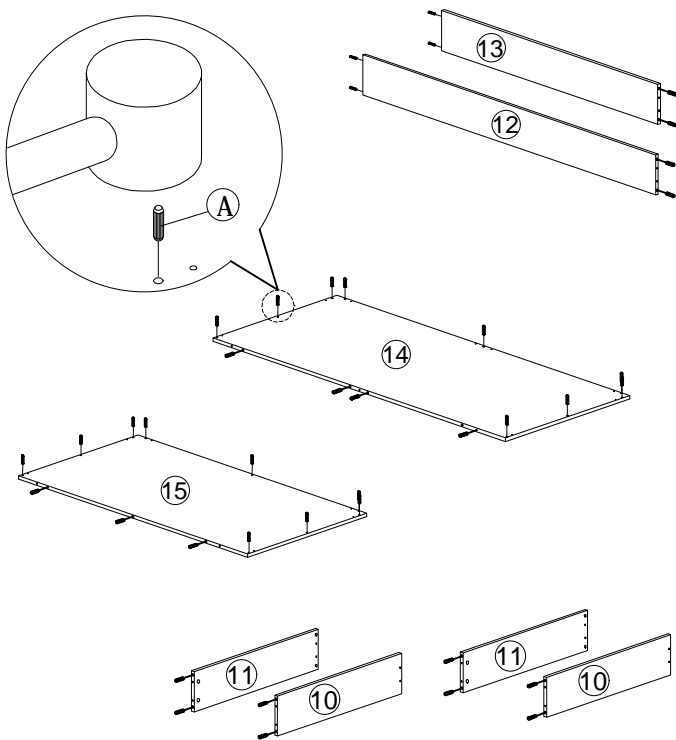
POLDIMAR B.V.B.A  
 Ooigemstraat 23 - 8780 oostrozebeke Belgium

## Part List

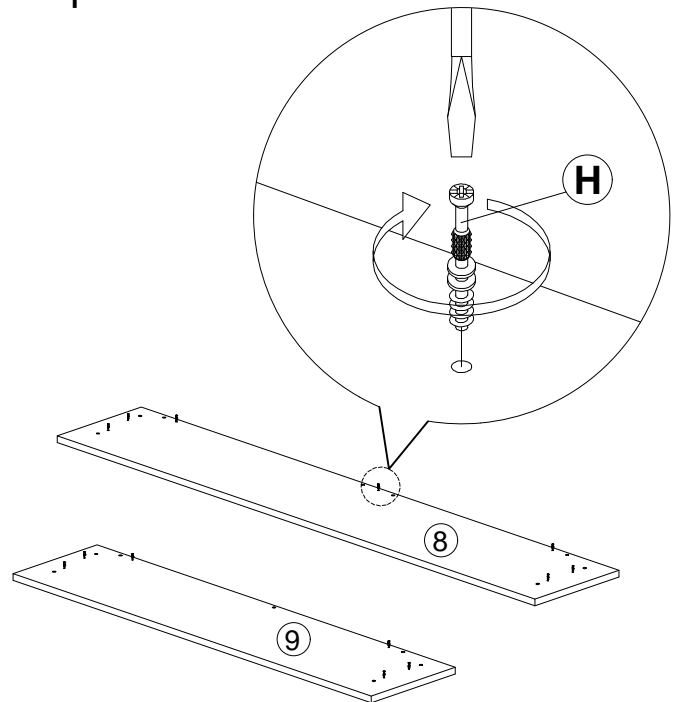


# Assembly Instruction

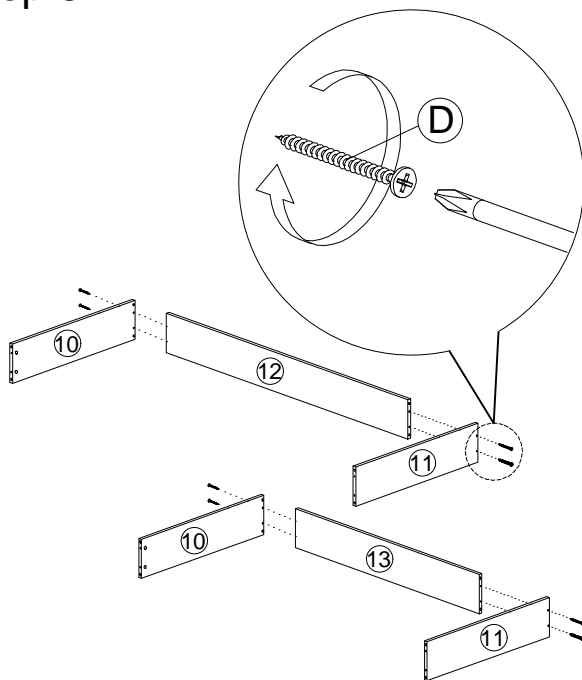
## Step 1



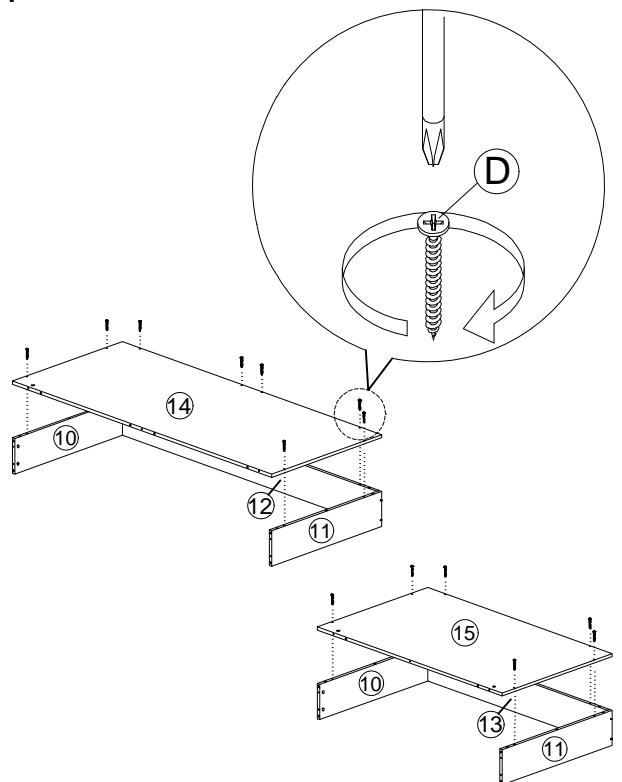
## Step 2



## Step 3

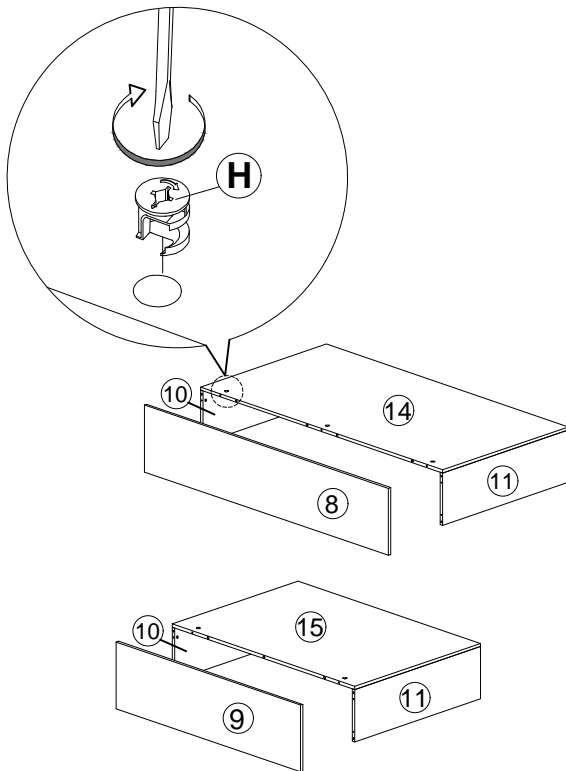


## Step 4

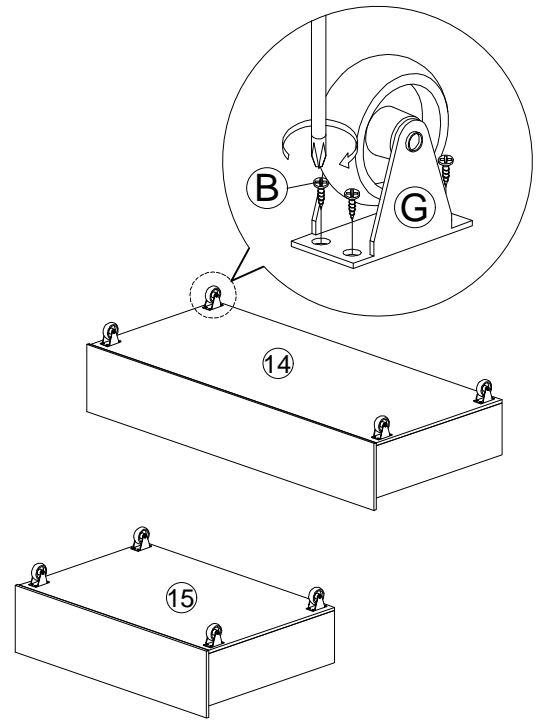


# Assembly Instruction

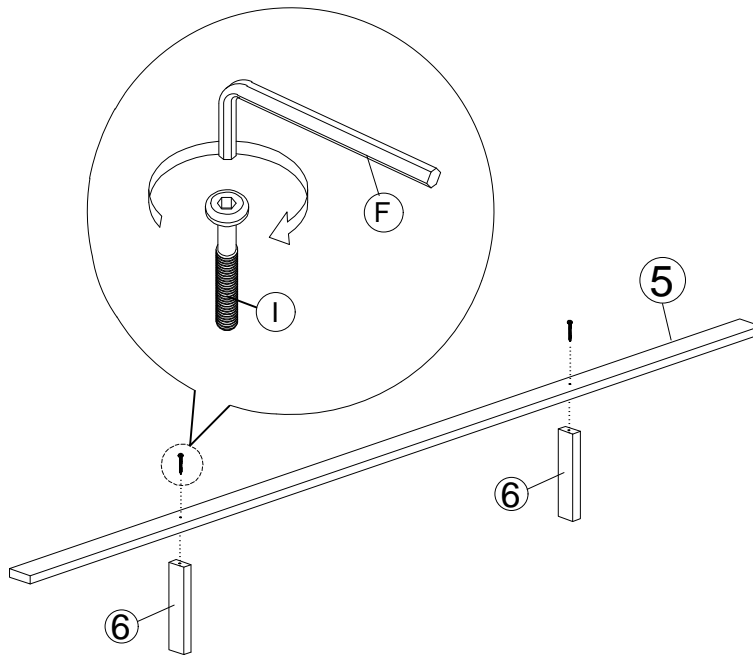
## Step 5



## Step 6

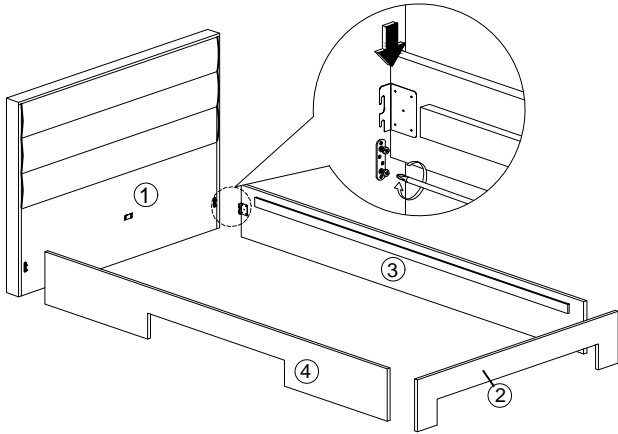


## Step 7

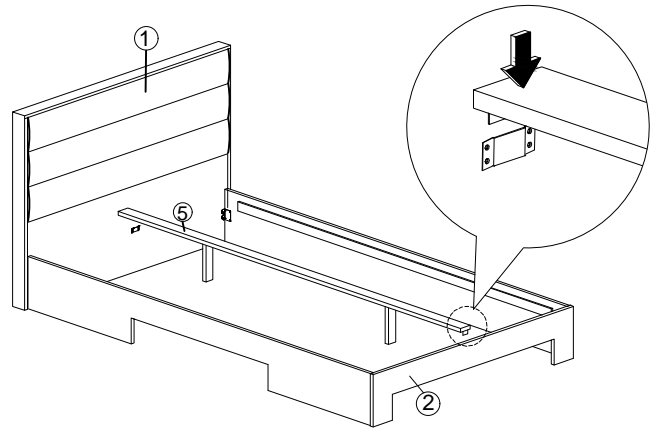


# Assembly Instruction

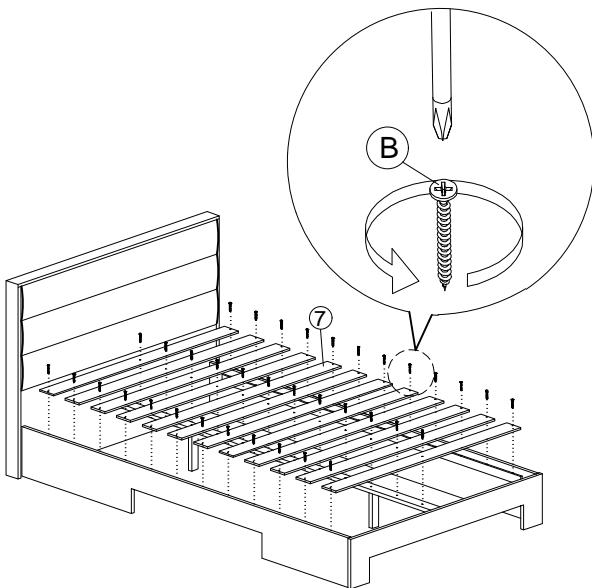
Step 8



Step 9



Step 10



Step 11

