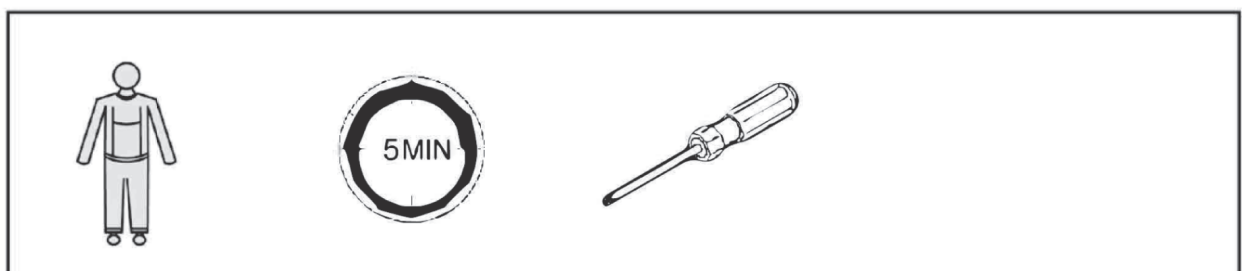
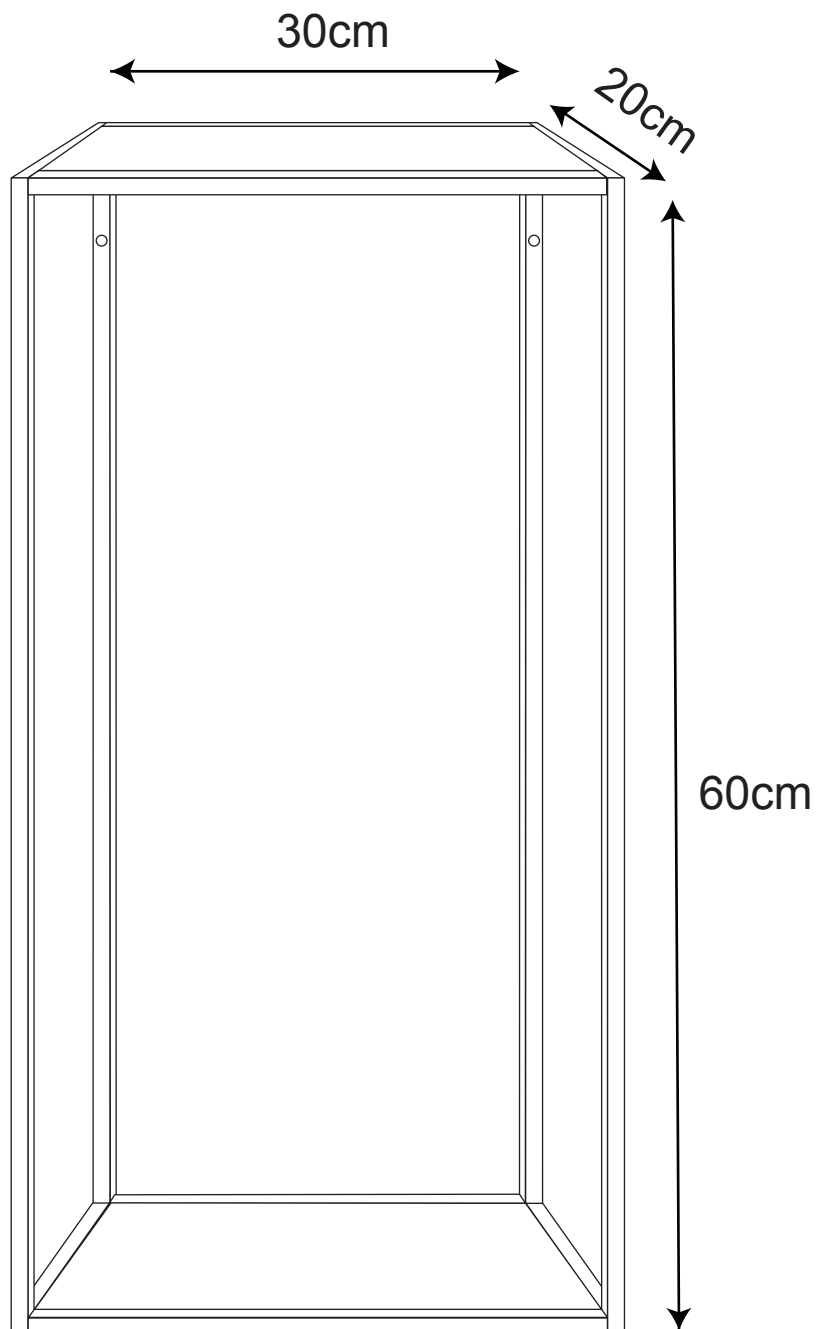
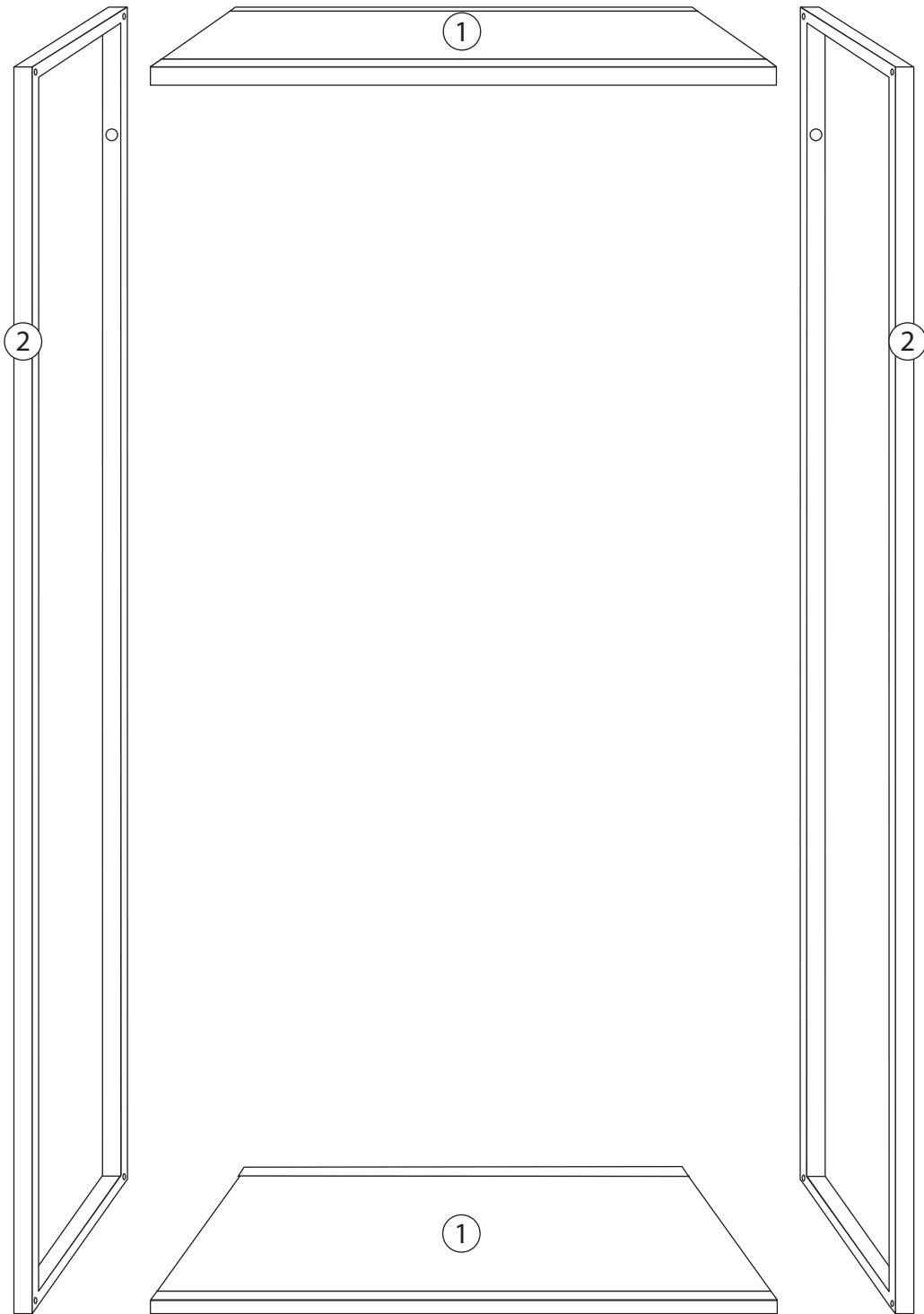


# Geelong

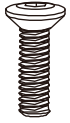
---



			✓
①	2	270 x 200 x 15 mm	
②	2	600 x 200 x 15 mm	



A x 8



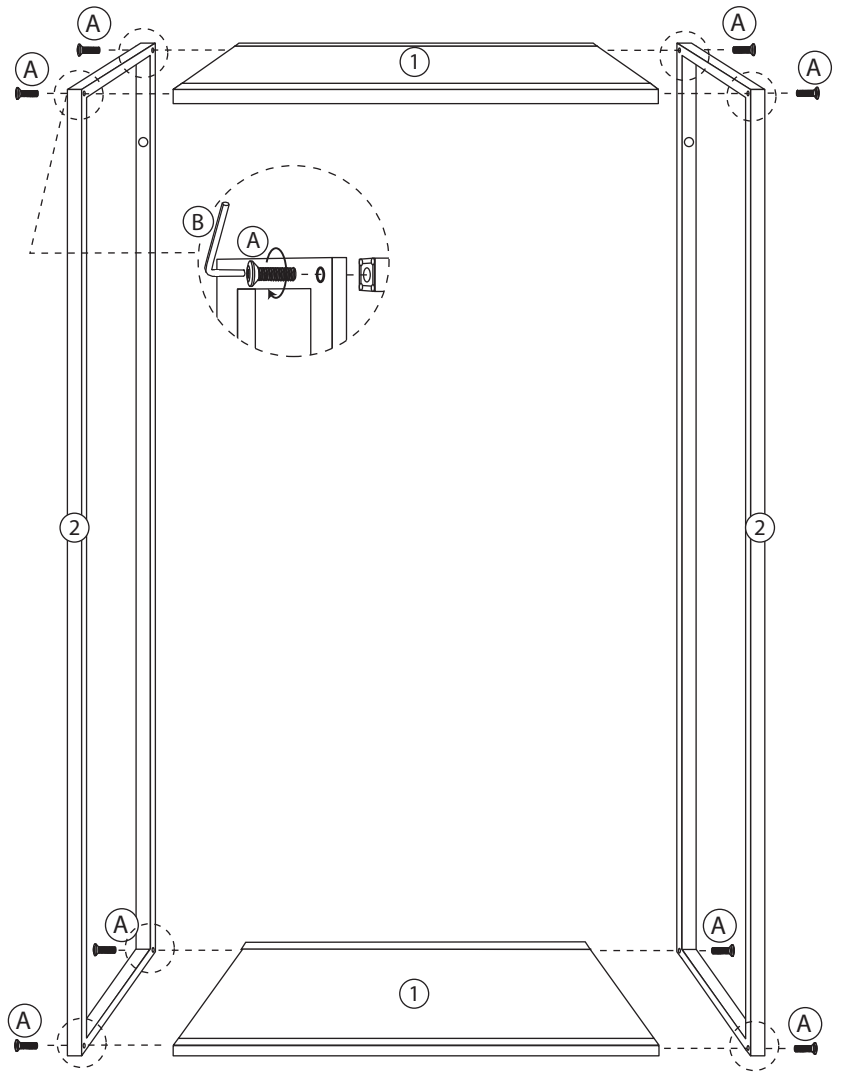
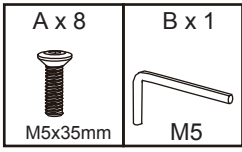
M5x35mm

B x 1



M5

# 1



# 2

