

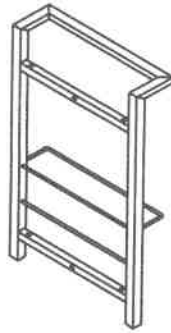
ASSEMBLY INSTRUCTION

PARTS LIST

1. -2Pcs.



2. -2Pcs.



3. -2Pcs.



FITTINGS

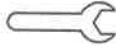
A. -12Pcs.



B. -1Pc.



C. -1Pc.



D. -2Pcs.



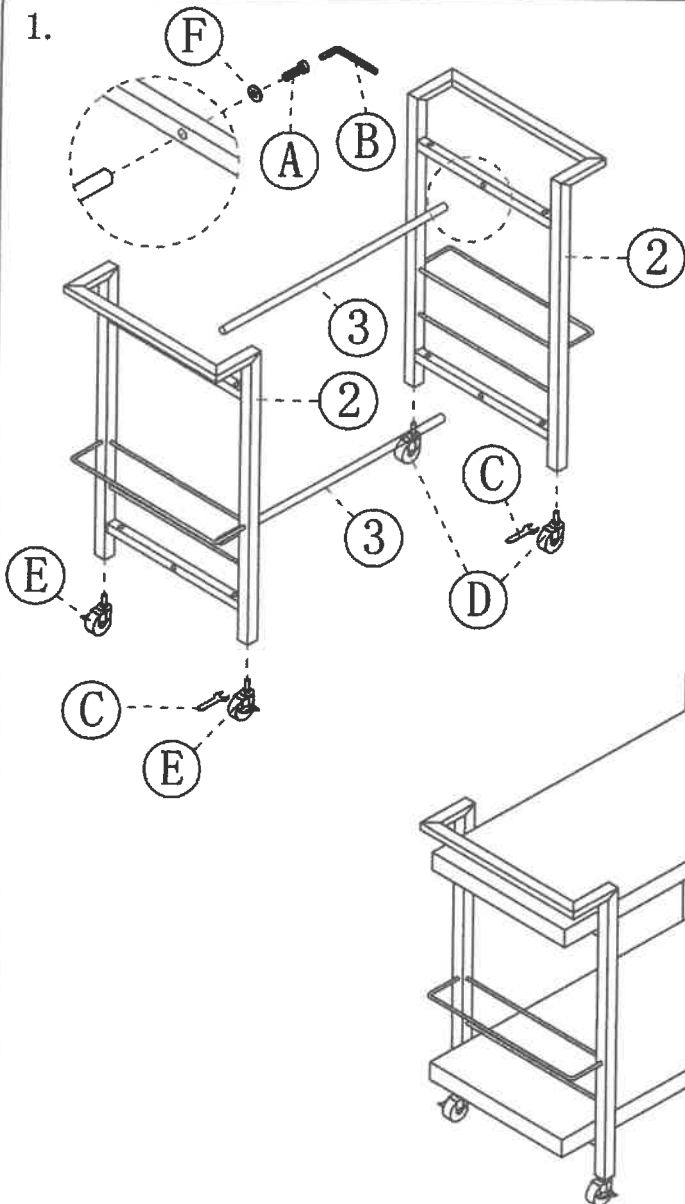
E. -2Pcs.



F. -12Pcs.



1.



2.

