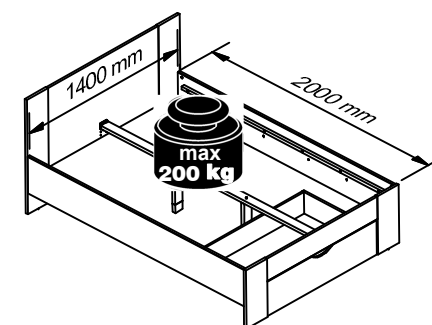


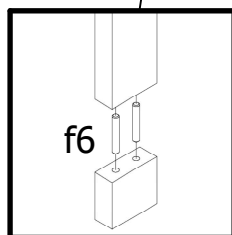
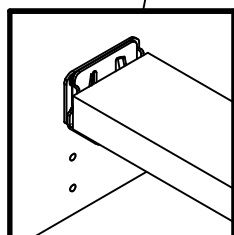
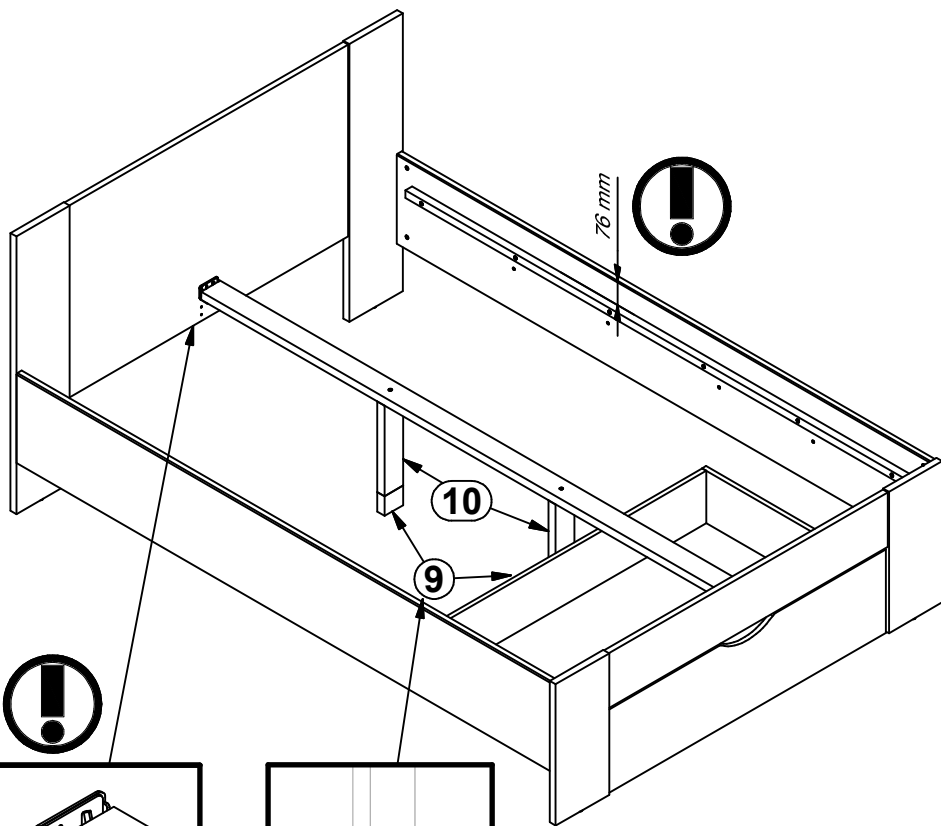
A	B	C (mm)			D
1	L106-106	1996	290	22	1/2
2	L106-107	458	200	22	1/2
3	L106-108	458	200	22	1/2
4	L106-110	900	200	22	1/2
5	L106-112	900	200	22	1/2
6	L106-113	1996	290	22	1/2
7	L106-114	1046	622	18	2/2
8	L106-115	1046	180	18	2/2
9	ZZ1-431	64	70	27	1/2
10	ZZ1-466	293	70	27	1/2
11	ZZ1-719	1983	70	27	1/2
12	ZZ1-747	1880	25	25	1/2
13	L106-007	1038	270	15	2/2
14	L106-506	650	190	15	2/2
15	L106-507	650	190	15	2/2
16	L106-508	634	80	15	2/2
17	L106-510	992	190	15	2/2
18	L106-907	1002	644	2,5	2/2



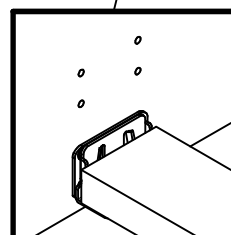
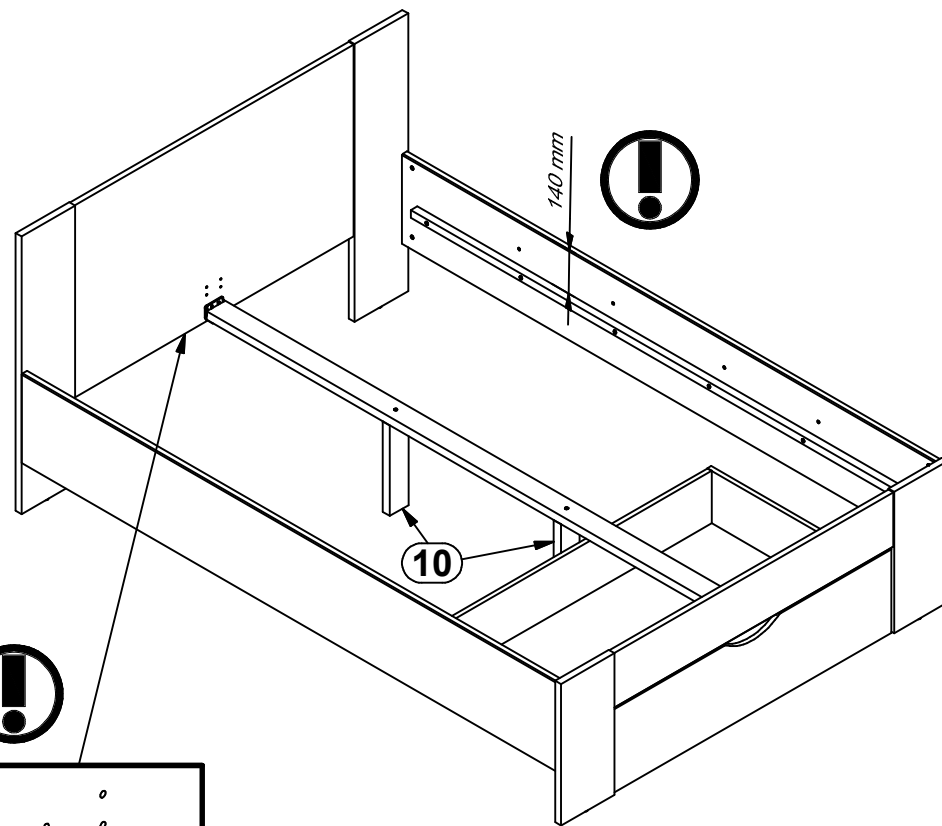
4x Ø7x50 mm e1	16x Ø6,3x13 mm e2	8x Ø6x13 mm e3	2x Ø7x70 mm e27	24x Ø8x30 mm f1	12x Ø8x50 mm f6	4x M6x65 mm j132
4x k1	4x Ø25 mm k34	2x n34/1	2x n34/2	2x 110x50/2 mm n180	10x Ø4x40 mm p10	6x Ø3,5x25 mm p16
8x Ø3,5x16 mm p38	24x Ø15x12 mm #16 r1	4x Ø15x15 mm #22 r3	4x Ø10x13 mm r5/1	8x r10	12x 20/1,1 r42	1x 4 mm z1

	16x Ø4x25 mm p36	4x Ø10x5,2x20 mm o89	4x Ø4x40 mm p10
--	------------------------	----------------------------	-----------------------

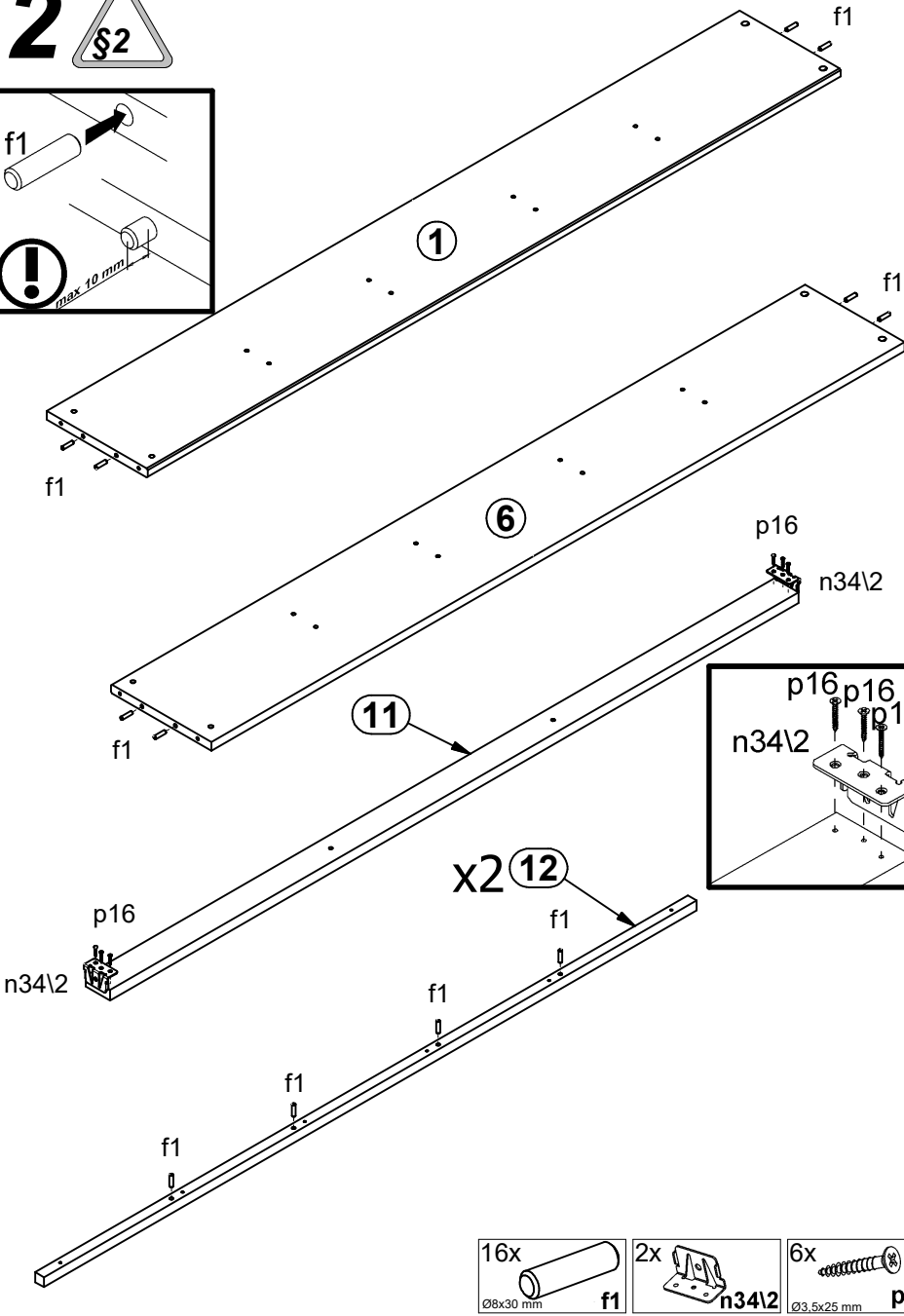
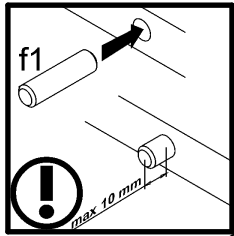
1A



1B

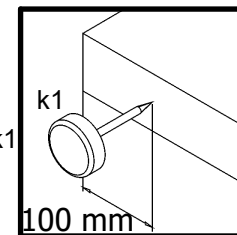
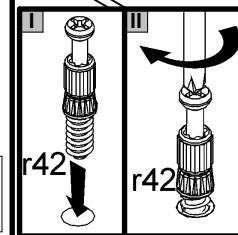
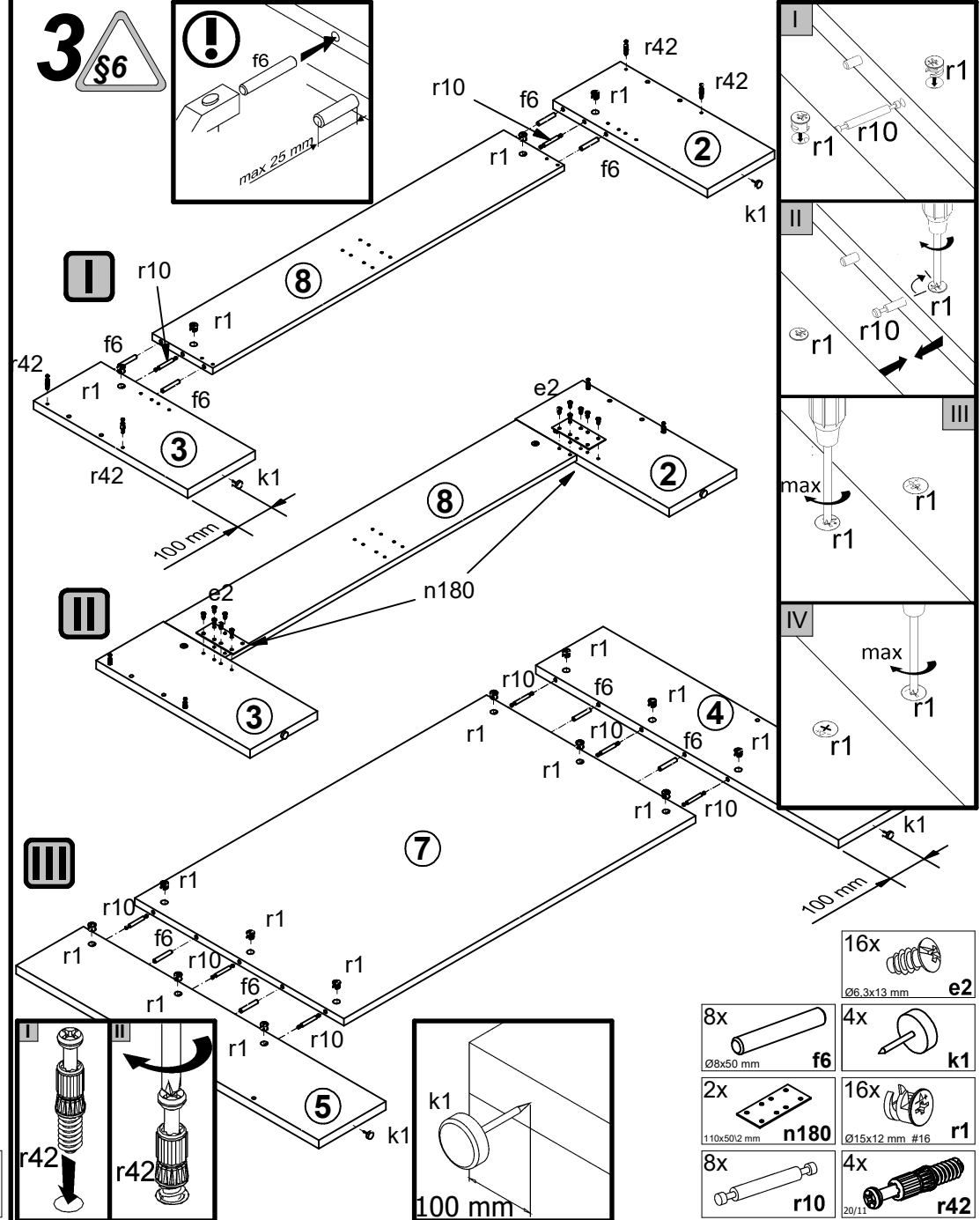
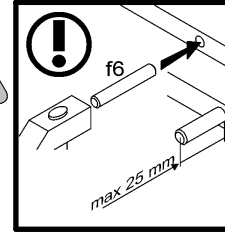



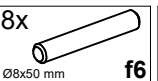

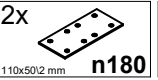

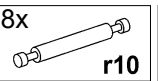
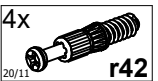
2 

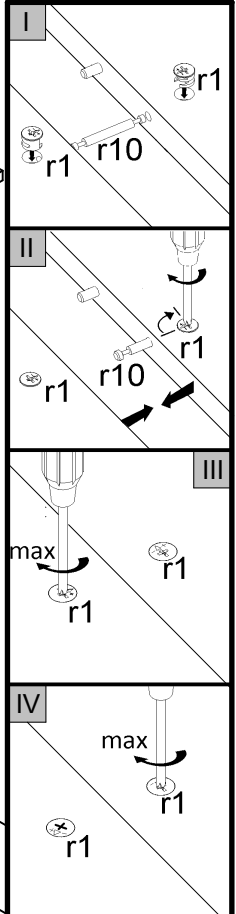


- 16x  f1 $\varnothing 6 \times 30$ mm
- 2x  n34\2
- 6x  p16 $\varnothing 3.5 \times 25$ mm

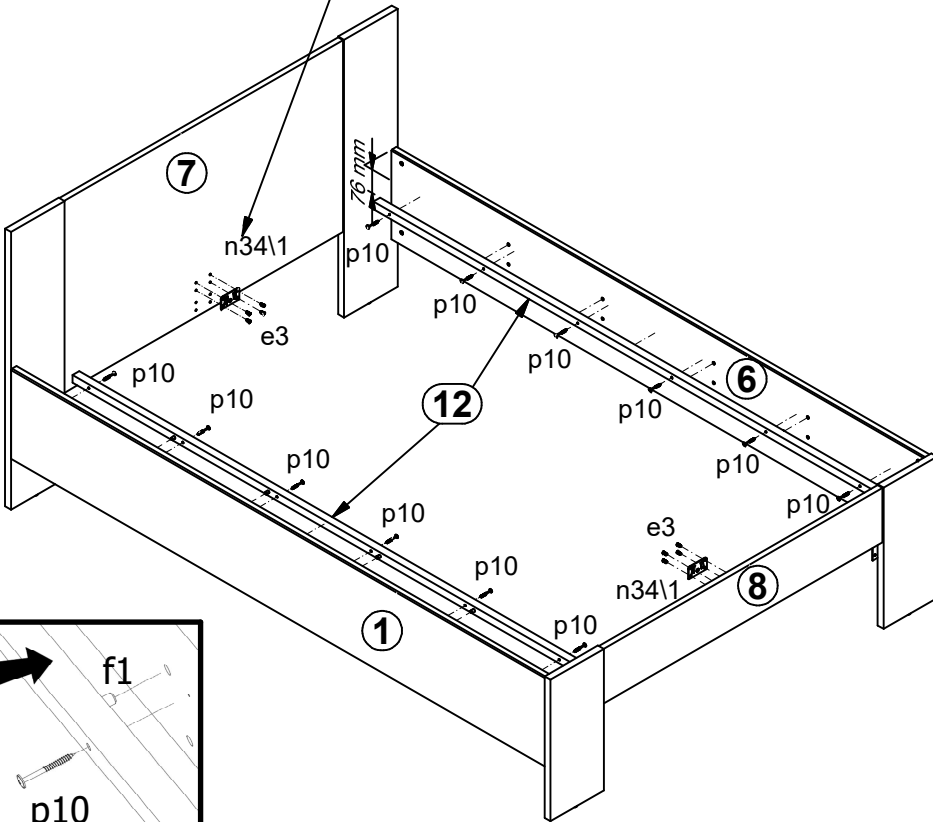
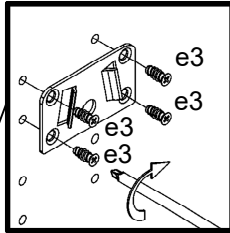
3 



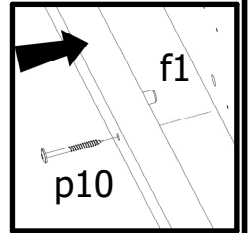
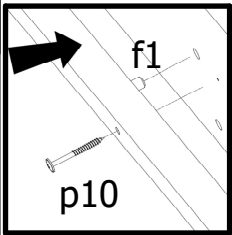
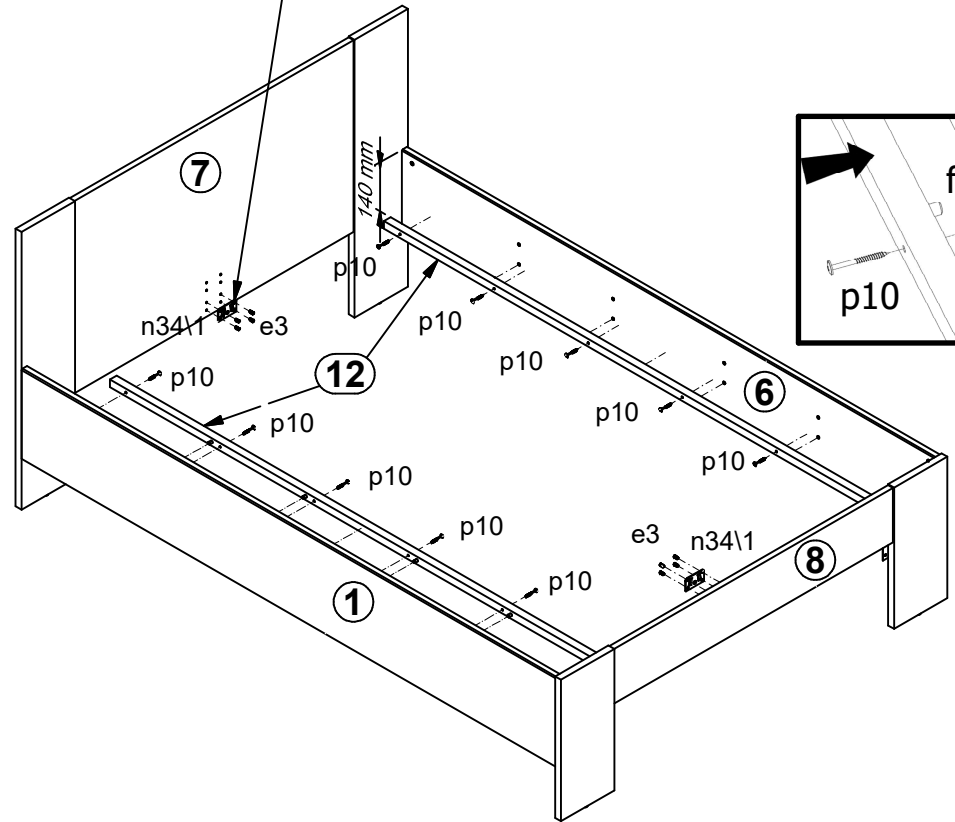
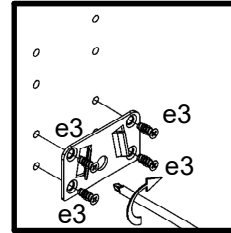
- 16x  e2 $\varnothing 6.3 \times 13$ mm
- 8x  f6 $\varnothing 8 \times 50$ mm
- 4x  k1
- 2x  n180 $110 \times 50 \times 2$ mm
- 16x  r1 $\varnothing 15 \times 12$ mm #16
- 8x  r10
- 4x  r42 $20/11$



5A

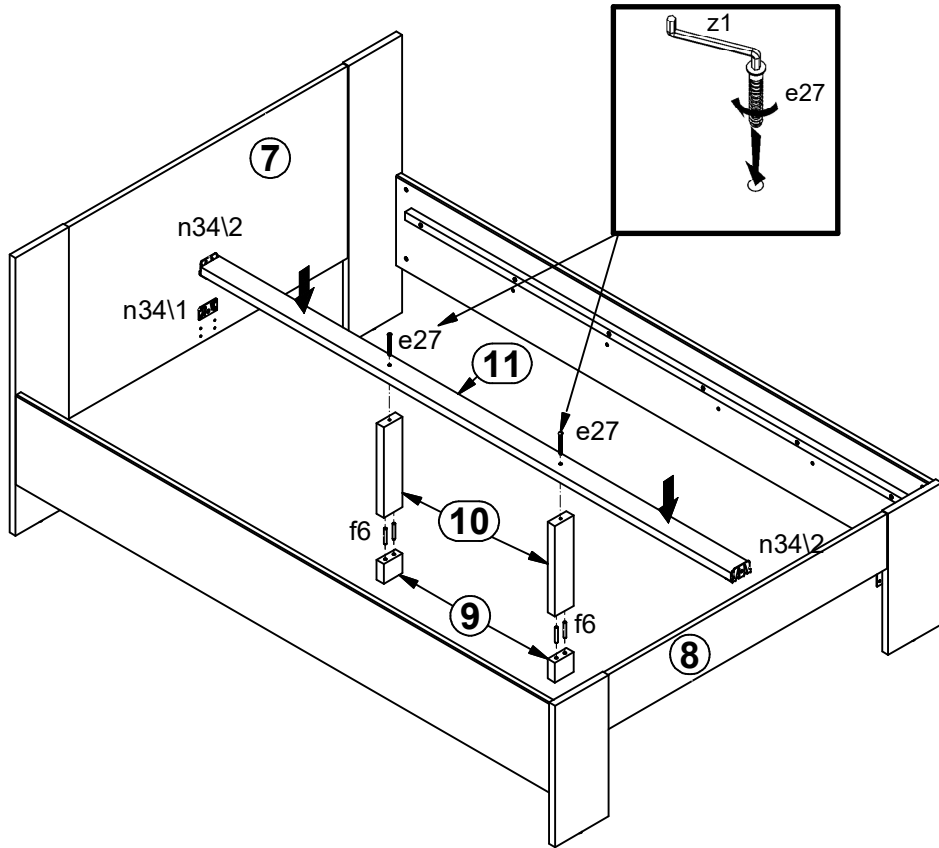


5B

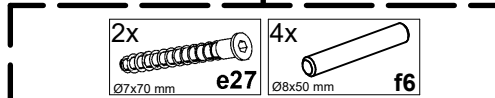
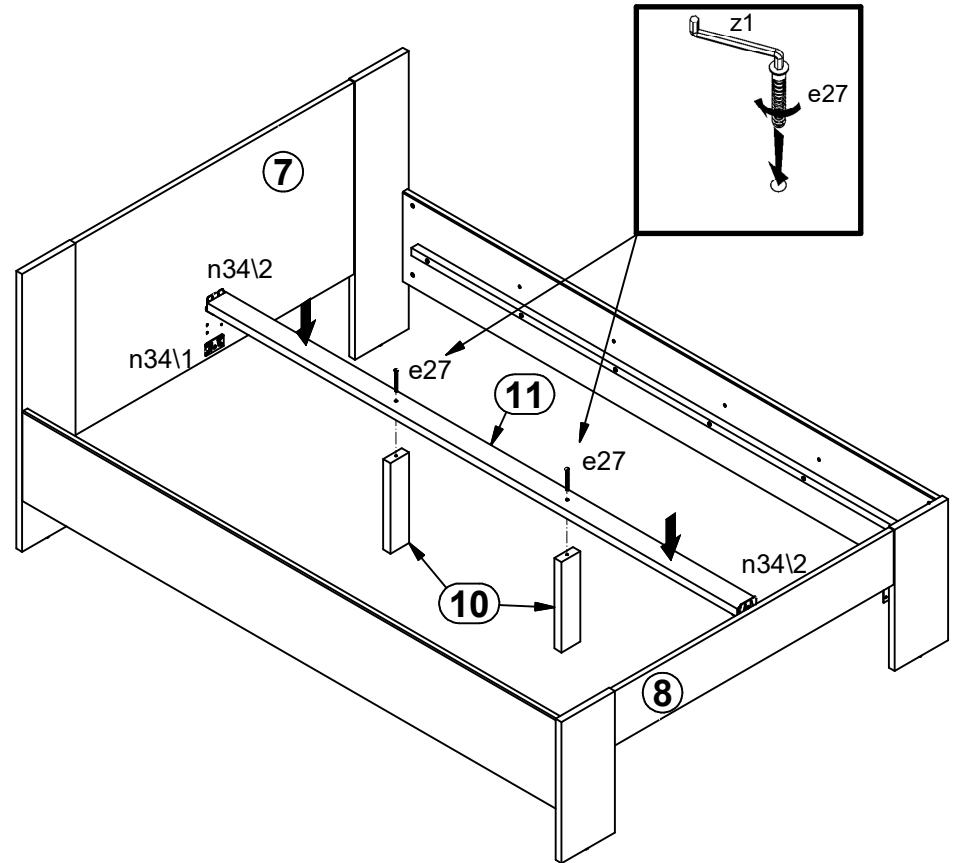


- | | | |
|----------------------|-------------|------------------------|
| 8x
Ø6x13 mm
e3 | 2x
n34\1 | 12x
Ø4x40 mm
p10 |
|----------------------|-------------|------------------------|


6A



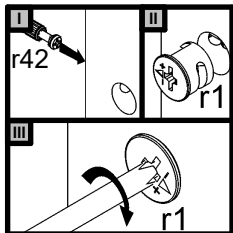
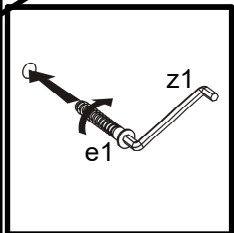
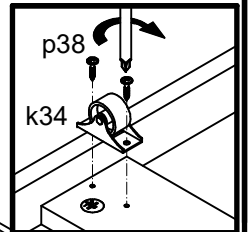
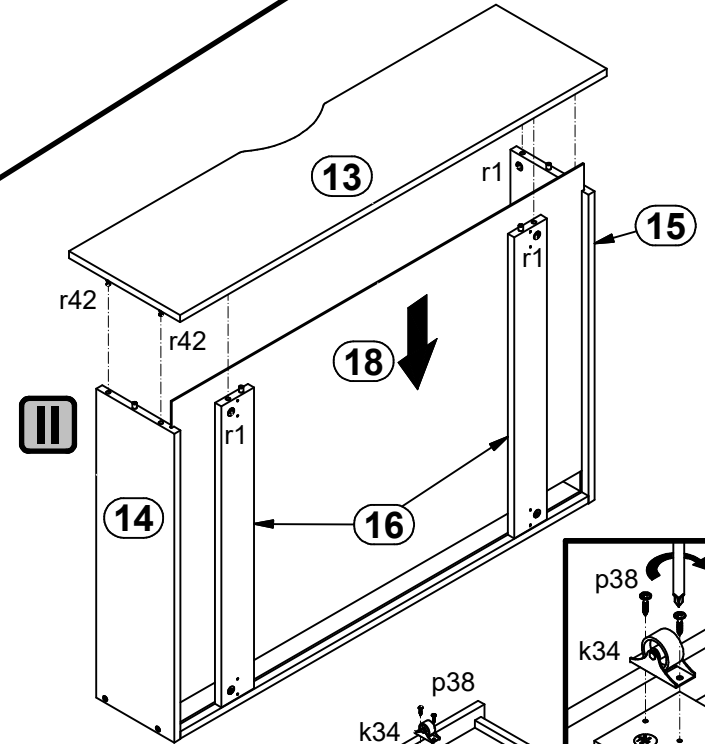
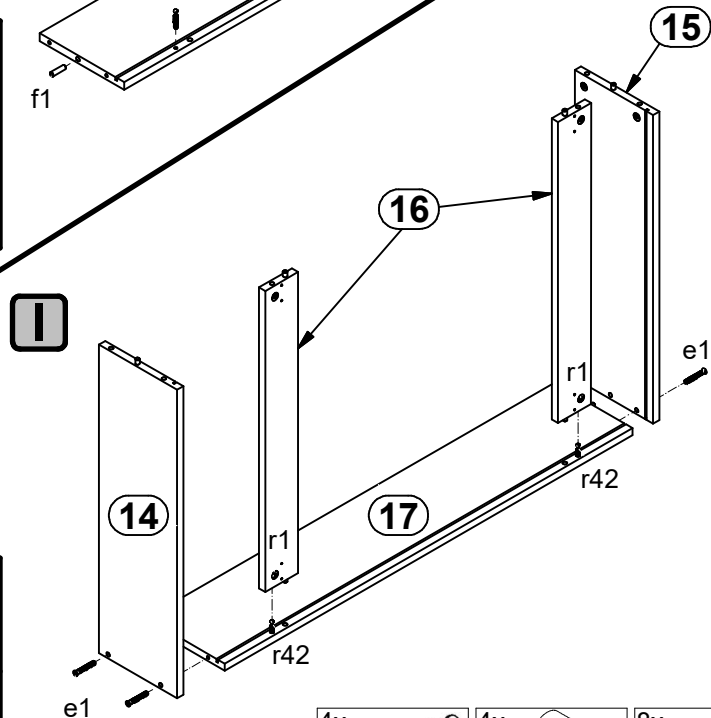
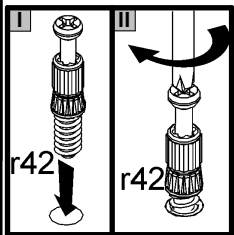
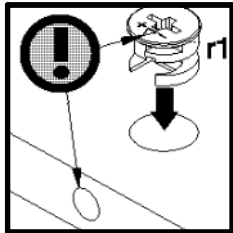
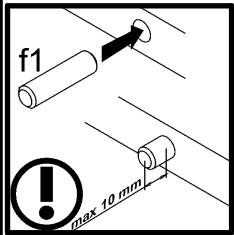
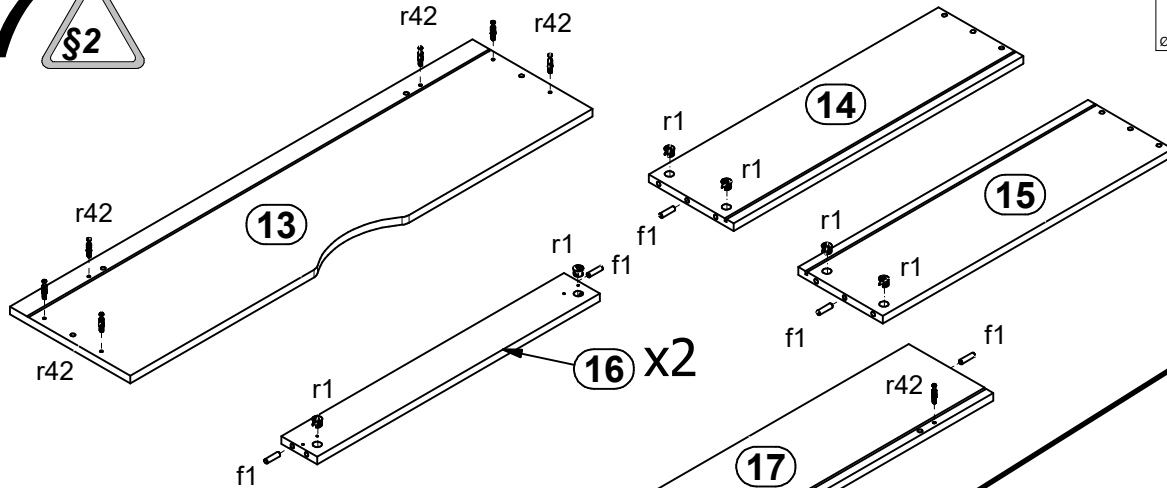
6B







7 §2

- 8x  f1
- 8x  r1
- 8x  r42

8 §6



- 4x  e1
- 4x  k34
- 8x  p38
- 1x  z1

