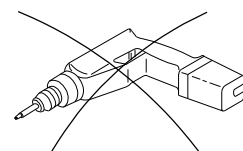
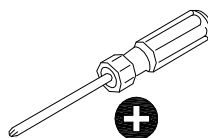
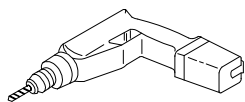
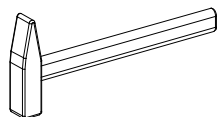
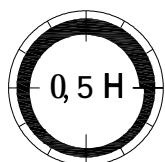
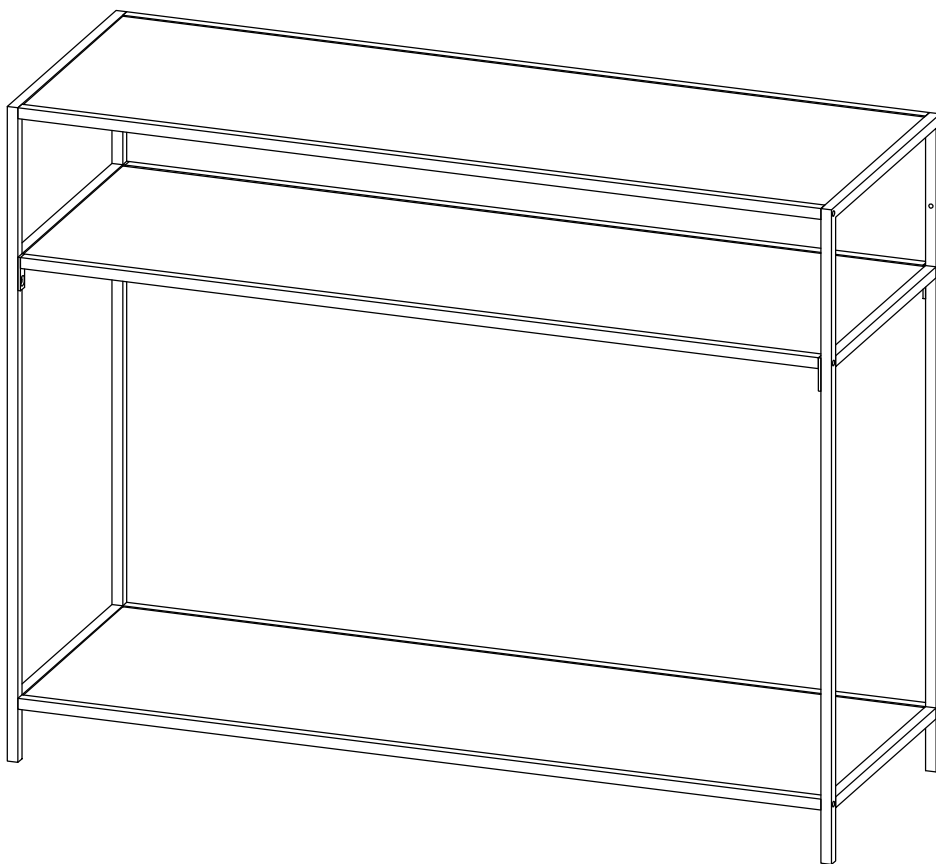
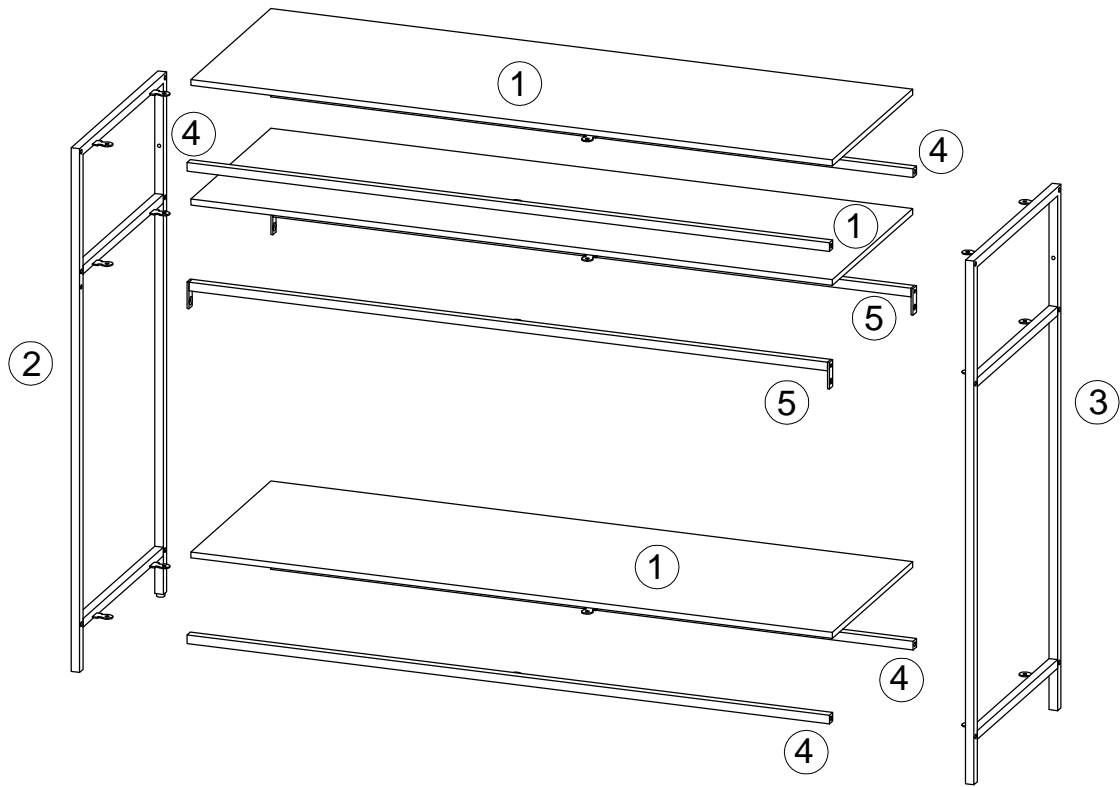


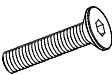

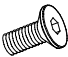


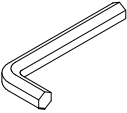
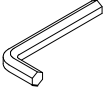

Infinity



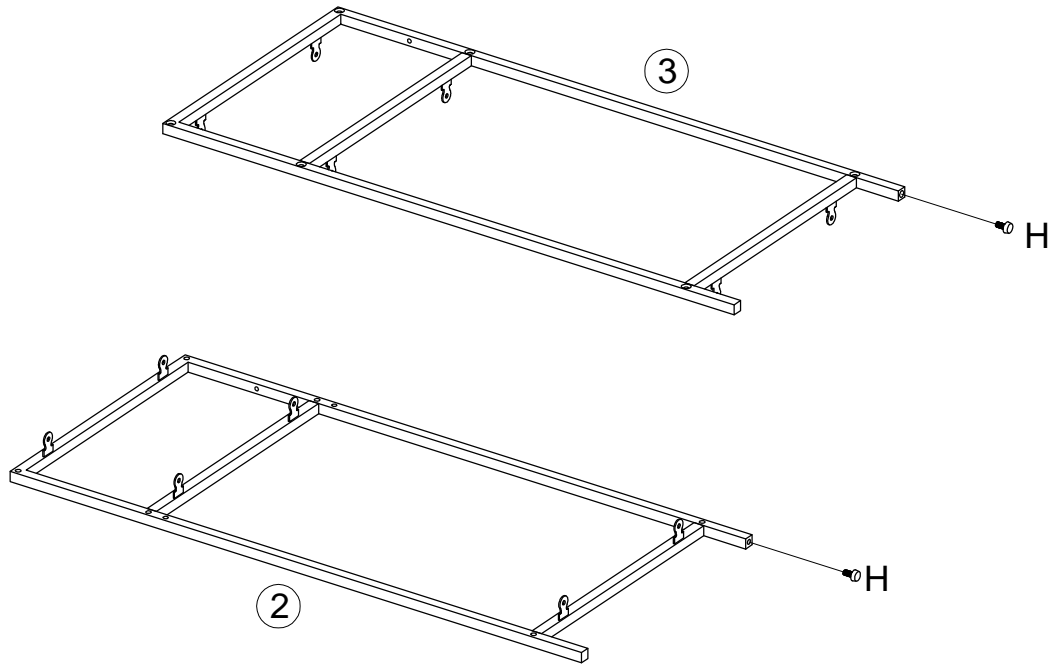
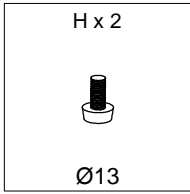
26/10/2021

			✓
①	3	973×323×9	
②	1	790×350×13/40	
③	1	790×350×13/40	
④	4	974×13×13/40	
⑤	2	974×40×13/40	

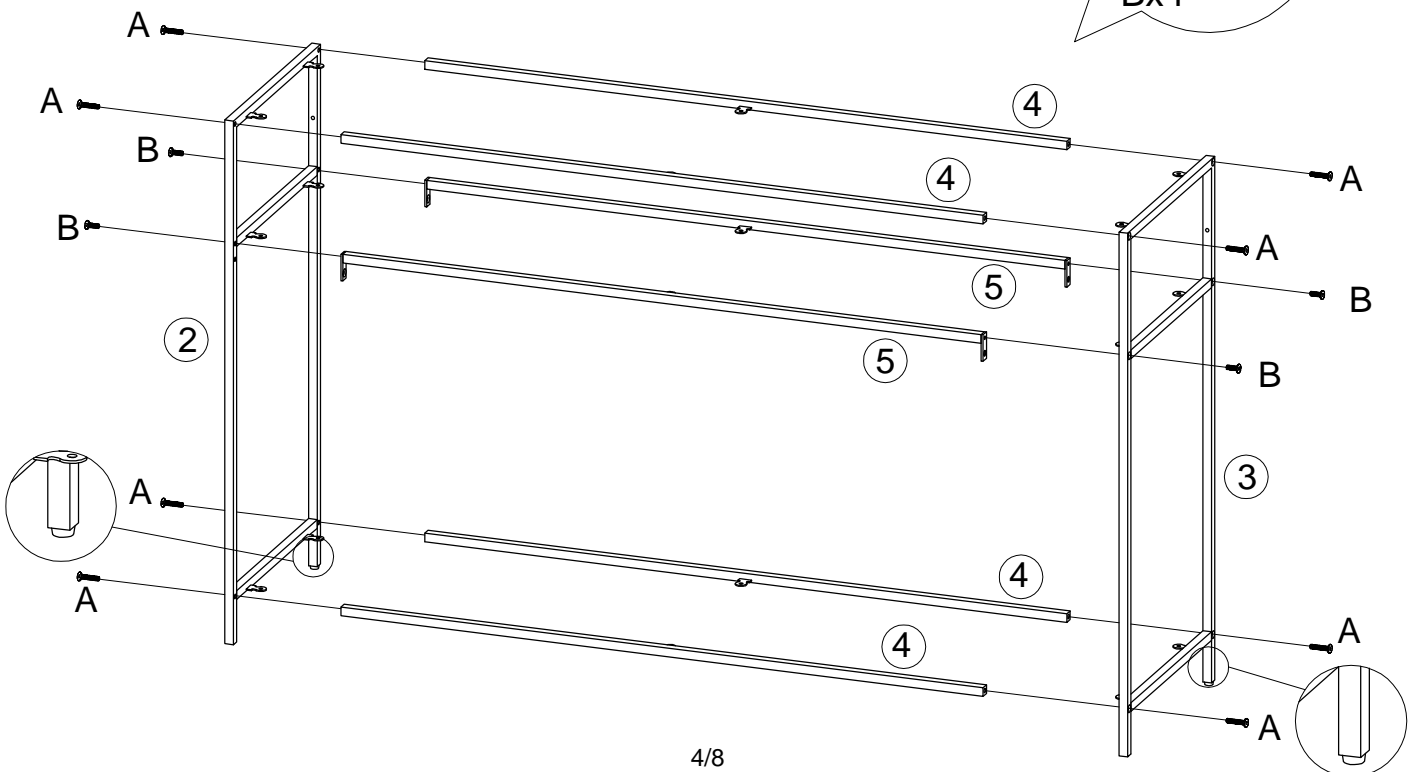
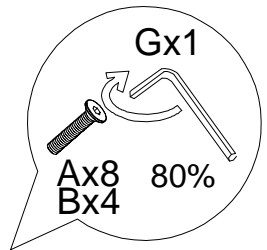
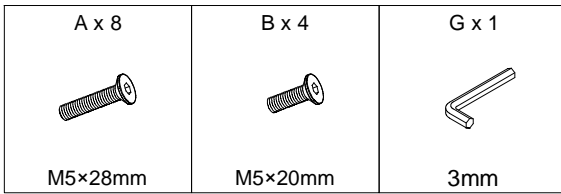


<p>A x 8</p>  <p>M5×28mm</p>	<p>B x 4</p>  <p>M5×20mm</p>	<p>C x 4</p>  <p>M6×12mm</p>	<p>D x 18</p>  <p>4×10mm</p>
<p>E x 18</p>  <p>Ø9/Ø4</p>	<p>F x 1</p>  <p>4mm</p>	<p>G x 1</p>  <p>3mm</p>	<p>H x 2</p>  <p>Ø13</p>

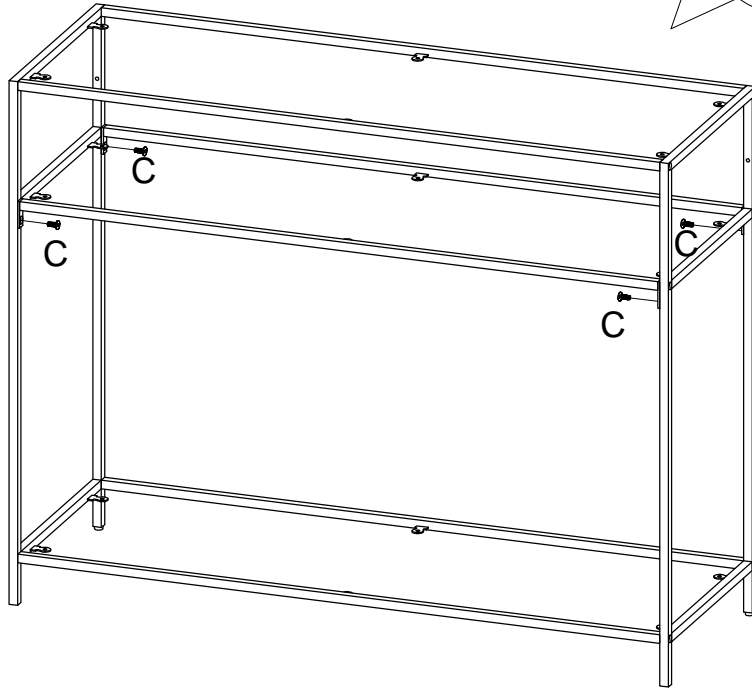
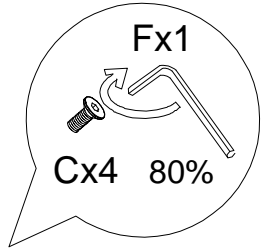
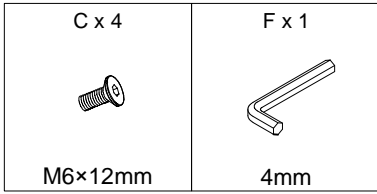
1



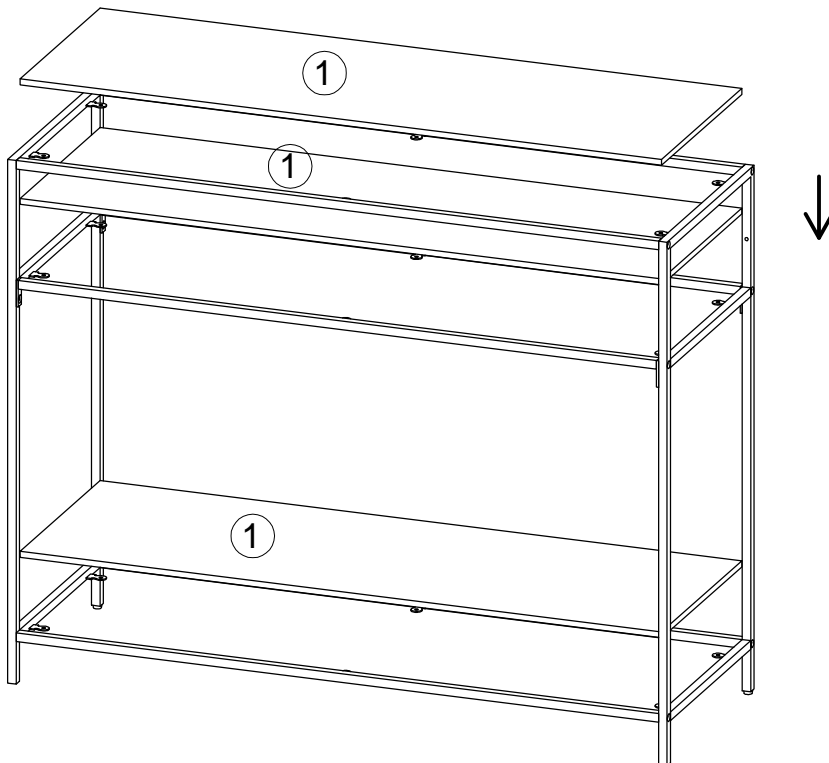
2



3



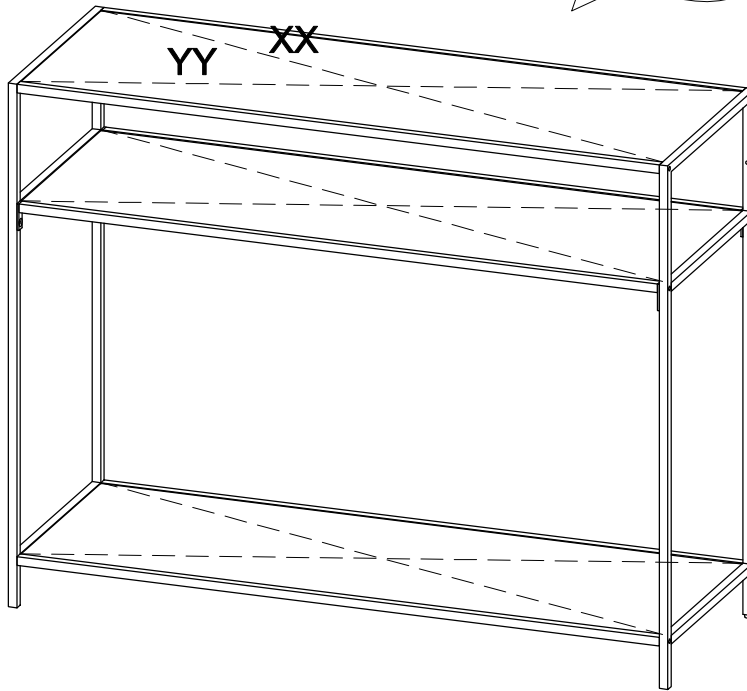
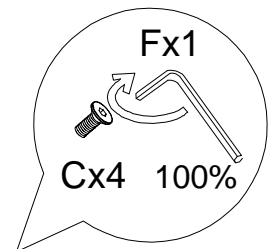
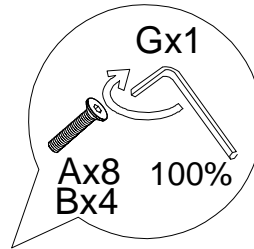
4





5

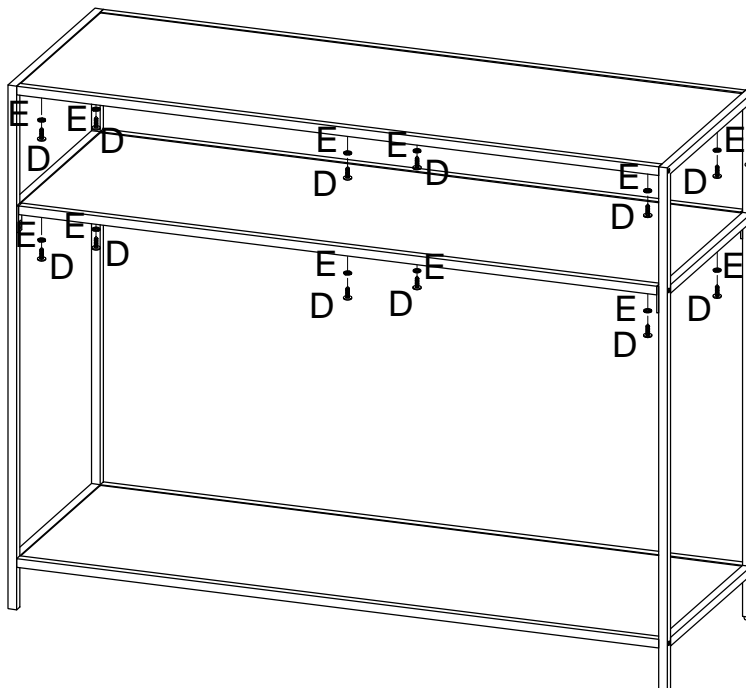


XX=YY





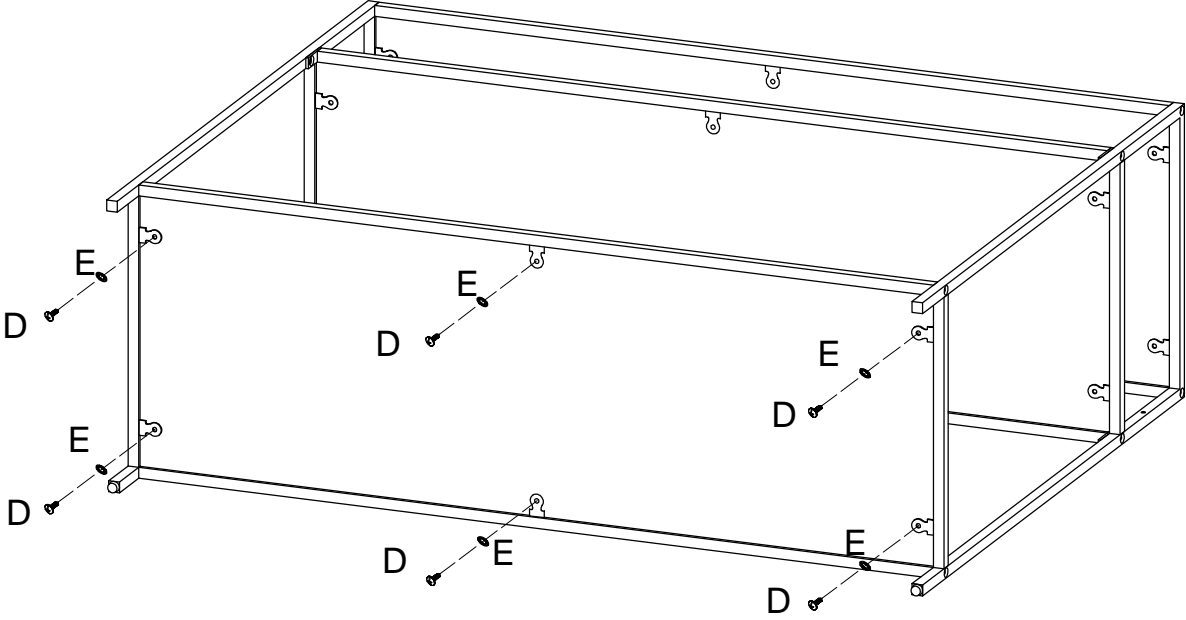
6

D x 12  4x10mm	E x 12  Ø9/Ø4
---------------------------------------------------------------------------------------------------------	--------------------------------------------------------------------------------------------------------

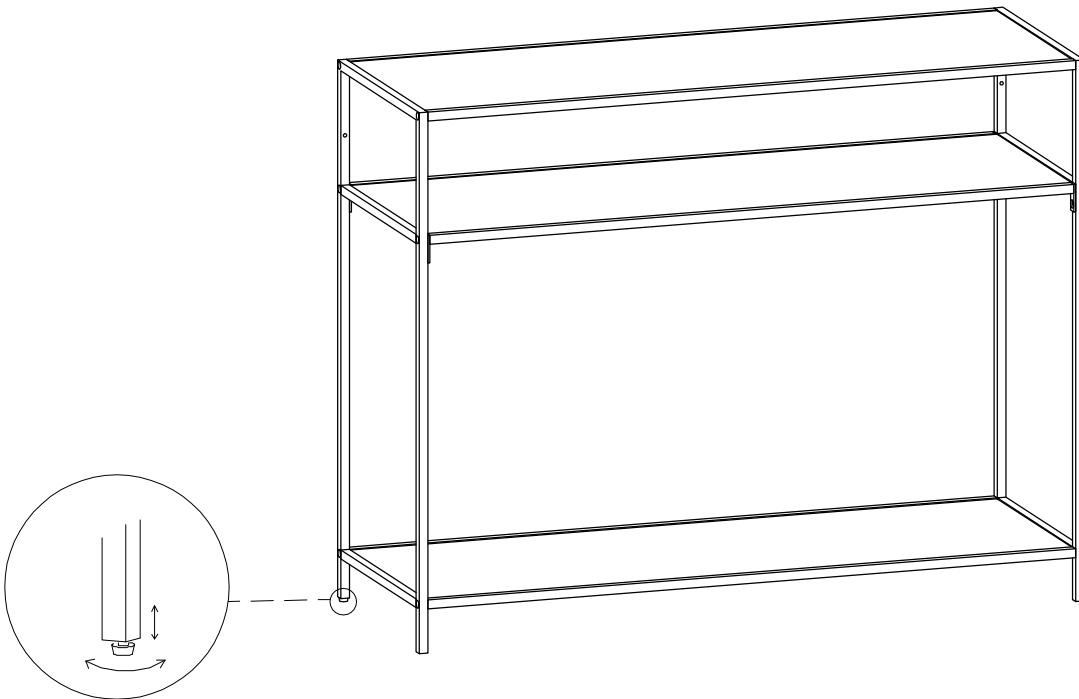


7

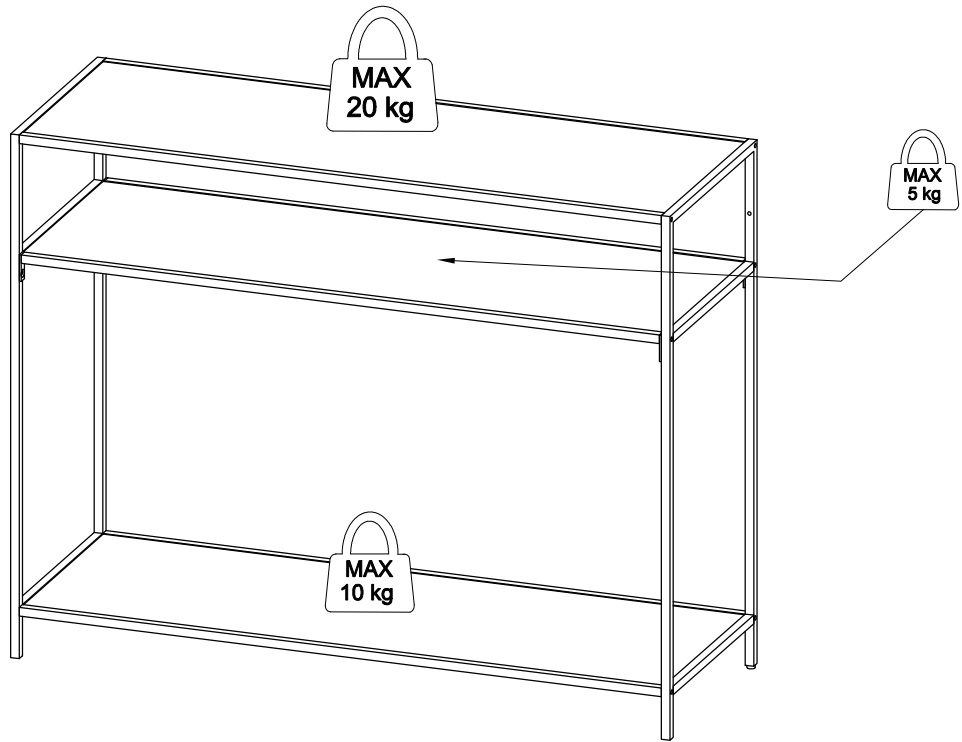
D x 6	E x 6
	
4x10mm	Ø9/Ø4



8



9



10

